



**International Shooting Sport
Federation
And
USA SHOOTING**



GENERAL

TECHNICAL RULES

Edition 2013

Effective 1 February 2013

CHAPTERS

6.1	GENERAL.....	- 182 -
6.2	SAFETY.....	- 184 -
6.3	TARGETS AND TARGET STANDARDS.....	- 187 -
6.4	RANGES AND OTHER FACILITIES.....	- 218 -
6.5	GAUGES AND INSTRUMENTS.....	- 246 -
6.6	CHAMPIONSHIP ADMINISTRATION.....	- 248 -
6.7	COMPETITION CLOTHING AND EQUIPMENT.....	- 253 -
6.8	COMPETITION JURY DUTIES AND FUNCTIONS.....	- 257 -
6.9	ORGANIZING COMMITTEE COMPETITION OFFICIALS.....	- 260 -
6.10	EST COMPETITION OPERATIONS.....	- 264 -
6.11	COMPETITION PROCEDURES.....	- 269 -
6.12	RULES OF CONDUCT FOR ATHLETES AND OFFICIALS.....	- 276 -
6.13	MALFUNCTIONS.....	- 279 -
6.14	SCORING AND RESULTS PROCEDURES.....	- 280 -
6.15	TIE-BREAKING.....	- 285 -
6.16	PROTESTS AND APPEALS.....	- 287 -
6.17	FINALS IN OLYMPIC RIFLE AND PISTOL EVENTS.....	- 290 -
6.18	FORMS.....	- 310 -
6.19	INDEX.....	- 320 -

RULE NUMBERING

All ISSF Rules are numbered according to a rule numbering protocol that limits rule numbers to four (4) levels (i.e. 6.10.3.5). Bulleted rules are also used to facilitate additional rule sub-levels. If reference is made to a bulleted rule, a letter designating the place of the bulleted rule in the bulleted list should be used (i.e. use 6.10.3.5 d to designate the fourth bulleted rule in a list).

Definitions and Abbreviations

The following are definitions of special terms and abbreviations that are used in the ISSF General Technical Rules and the ISSF Rifle, Pistol, Shotgun and Running Target Rules.

Term	Definition
Athletes	Competitors or participants in a sports competition. Athletes in the sport of Shooting are sometimes called shooters.
Championship	A single organized shooting competition with a program of events. A Championship (capital C) is a competition that is authorized and supervised by ISSF rules, Technical Delegates, Juries and anti-doping controls.
Competition	A general reference to a sports contest that may include a series of events (Championship) or may be a contest within a single event.
Course of Fire	A description of the stages of competition within an event that specifies the number of shots in each series and stage, the type of firing and the time limits.
CRO	Chief Range Officer
Discipline	A sub-group of events within a sport that have common characteristics. Shooting has four (4) disciplines: 1) Rifle, 2) Pistol, 3) Shotgun and 4) Running Target.
EST	Electronic scoring targets
Event	A unique Shooting contest with a specific course of fire and rules of conduct. Shooting has 15 Olympic events. The ISSF also recognizes many additional events for individual and team competitions for open and junior age groups.
FOP	Field of Play. In Shooting, the FOP includes the area behind the firing line where access is restricted to competing athletes and on duty officials, the firing line or shooting stations and the downrange area that includes the targets and backstops or safety zone.
MATCH Shots	Scoring or record shots. Shots that count in an athlete's score.
Min.	Minute, minutes
Round	A phase of competition for a Shooting event. Shooting events may have Elimination Rounds, Qualification Rounds and Finals.
Sec.	Second, seconds
Series	A sequence of shots fired within a stage or course of fire. Most Shooting events have 10-shot series; 25m Pistol events have 5-shot series; Shotgun events have 25 or 30 target series. Series in Shotgun events are often called rounds.
Sighting Shots	Practice or warm-up shots that are fired in a Shooting event prior to MATCH shots.

Sport	A distinct grouping of competitive events with common elements and a single governing body. Shooting (capital S) is a “sport” where athletes in different events fire guns at targets that rank competing athletes according to their scores. The IOC recognizes Shooting as one of 28 Summer Olympic sports.
Stage	A phase or part of an event course of fire. A three-position rifle event has three stages, one for each position. The 25m Pistol Women event has two stages, precision and rapid fire.
Start Time	The Start Time in each Shooting event is the time when commands for the first MATCH shot begin.

6.1 GENERAL

6.1.1 Objective and Purpose of ISSF Rules

The ISSF establishes Technical Rules for the sport of Shooting to govern the conduct of shooting events recognized by the ISSF (ISSF General Regulations, 3.3). The objective of ISSF Technical Rules is to achieve uniformity in the conduct of the shooting sport throughout the world and to promote the development of the sport.

- **ISSF General Technical Rules** include rules for range construction, targets, scoring, general competition procedures and Finals for all shooting disciplines. Discipline Rules apply specifically to the four (4) shooting disciplines: Rifle, Pistol, Shotgun and Running Target;
- **ISSF General Technical and Discipline Rules** are approved by the ISSF Administrative Council in accordance with the ISSF Constitution;
- **ISSF General Technical and Discipline Rules** are subordinate to the ISSF Constitution and the ISSF General Regulations; and
- **ISSF Technical and Discipline Rules** are approved to be effective for a period of four (4) years beginning on 1 January of the year following the Olympic Games. Except in special situations, ISSF Rules are not changed during this four (4) year period.

6.1.2 Application of ISSF General Technical and Discipline Rules

- ISSF Championships are shooting sport competitions in the Olympic Games, World Championships, World Cups, World Cup Finals, Continental Championships and Continental Games that are supervised by the ISSF in accordance with ISSF General Regulations, 3.2.1, and these Rules;
- ISSF General Technical and Discipline Rules must be applied at all ISSF Championships;
- The ISSF recommends that ISSF Rules be applied at regional, national and other competitions that are not ISSF

Championships, but where ISSF events are on the program;

- All competition officials, athletes, coaches and team leaders must be familiar with the ISSF Rules and must ensure that they are enforced;
- It is the responsibility of every athlete to comply with these Rules;
- When a Rule refers to right-handed athletes, the reverse of that Rule applies to left-handed athletes; and
- Unless a Rule applies specifically to a men's or women's event, it must apply uniformly to both men's and women's events.
- Where diagrams and tables in these rules contain specific information, the specific information in these diagrams and tables has the same authority as the numbered rules.

6.1.3 Scope of ISSF Technical Rules

ISSF Technical Rules include:

- Rules for the preparation and organization of ISSF Championships;
- Rules for planning the construction and installation of shooting ranges; and
- Rules which apply to all shooting disciplines or more than one shooting discipline.

6.1.4 Organization and Supervision of ISSF Championships

6.1.4.1

ISSF Supervision. The ISSF Executive Committee appoints ISSF Technical Delegates, Jury Members and technical officials for every ISSF Championship in accordance with 1.8.2.6 and 3.4. These appointments include:

- Technical Delegate(s);
- Competition Jury(ies);
- A Jury of Appeal; and
- An Official Results Provider responsible for providing and operating the electronic technology necessary for the management of entries, athletes' results, competition operations, results presentation and results archiving.

6.1.4.2

Organizing Committee. An Organizing Committee must be formed for every ISSF Championship in accordance with 3.4.1. The Organizing Committee is responsible for the preparation, administration and conduct of the shooting competitions. The Organizing Committee must appoint:

- Chief Range Officer(s), Range Officers, a Chief of Referees and Referees, as appropriate, who are responsible for the actual conduct of the shooting events;

- A Chief Classification Officer and necessary assistants to establish a Classification office responsible for entries, accreditation, scoring and results operations during the Championship;
- A Chief of Equipment Control and appropriate Equipment Control Officers who are responsible for Equipment Control operations; and
- All other staff necessary to fulfill their responsibilities as an ISSF Championship Organizer.

6.2

SAFETY

SAFETY IS OF PARAMOUNT IMPORTANCE

6.2.1

General Safety Rules

6.2.1.1

ISSF Rules establish specific safety requirements that must be applied in all ISSF Championships. ISSF Juries and Organizing Committees are responsible for safety.

6.2.1.2

Necessary and special safety regulations for ranges differ from country to country so additional safety rules may be established by the Organizing Committee. Juries, Range officials, team officials and athletes must be advised of any special safety regulations in the competition program.

6.2.1.3

The safety of athletes, range officials and spectators requires continued and careful attention to gun handling. Self-discipline is necessary on the part of all. Where such self-discipline is lacking, it is the duty of range officials to enforce discipline and the duty of athletes and team officials to assist in such enforcement.

6.2.1.4

The ISSF may refuse to accept the entry of an athlete in a competition if it has substantial information from competent authorities that such an athlete presents a serious threat to the safety of others on a shooting range.

USAS 6.2.1.4A

In USAS sanctioned competitions, no organizing committee may refuse entry of an athlete. All safety violations may be handled according to the rules during the competition, up to and including disqualification. All disqualifications due to safety infractions must be reported to USA Shooting for review and possible action.

6.2.1.5

In the interest of safety, a Jury Member or Range Officer may stop shooting at any time. Athletes and team officials must immediately notify Range Officers or Jury Members of any situation that may be dangerous.

6.2.1.6

An Equipment Inspector, Range Officer, or Jury Member may pick up an athlete's equipment (including a gun) for control without his permission, but in his presence and with his knowledge. However, immediate action must be taken when a matter of safety is involved.

USAS 6.2.1A

In USA Shooting competitions, the competitions director is responsible for enforcing safety rules and standards.

USAS 6.2.1B

Each shooter is responsible for following all safety and gun handling rules mentioned anywhere in the rulebook and all standard safe gun handling procedures.

USAS 6.2.1C

Any shooter or official may stop the shooting at any time in the interest of safety.

6.2.2 Gun Handling Rules

6.2.2.1

To ensure safety, all guns must be handled with maximum care at all times. Guns must not be removed from the firing line during training or competition except with the permission of a range officer.

6.2.2.2

Safety flags must be inserted in all rifles, pistols and semi-automatic shotguns at all times other than during authorized dry firing or live firing on a firing point. The purpose of safety flags is to visibly demonstrate when gun actions are open and guns are unloaded. To demonstrate that air rifles and air pistols are unloaded, the safety flag must be long enough to extend through the full length of the barrel.

- If a safety flag is not used as required by this rule, a Jury Member must give a WARNING with instructions to insert a safety flag in the gun; and
- If the Jury confirms that an athlete refuses to use a safety flag as required by this rule and after being warned, the athlete must be disqualified.

(USA Shooting Clarification: USAS will adopt this rule in 2013. All shooters must comply with the safety flag rules as written above. All shooters are responsible for having their own safety flag meeting the requirements above.

6.2.2.3

While athletes are on their firing points, their guns must always be pointed in safe directions. The action or breech must not be closed until the gun is pointing downrange in a safe direction toward the target area.

6.2.2.4

When placing a gun down to leave the firing point or when firing is complete, all guns must be unloaded with actions (bolt or locking mechanism) open and safety flags inserted. Before leaving a firing point, the athlete must ascertain and the Range Officer **must verify** that there is no cartridge or pellet in the gun's chamber, barrel or magazine and a safety flag is inserted.

6.2.2.5

If the athlete boxes or cases his gun or removes it from the firing point without having it checked by a Range Officer, he may be disqualified.

6.2.2.6

During firing, the gun may be put down (not held) only after the cartridge(s) and/or magazine are removed and the action is open. Air guns must be made safe by opening the cocking lever or loading port.

6.2.2.7

The handling of guns is not permitted and safety flags must be inserted when any personnel are forward of the firing line.

6.2.2.8 In the range, when guns are not on the firing points, they must always be in their cases, unless otherwise authorized by a Range Officer.

6.2.3 Range Commands

6.2.3.1 Chief Range Officers, or other appropriate range officials, are responsible for giving the commands “**LOAD**,” “**START**,” “**STOP**,” “**UNLOAD**” and other necessary commands. Range Officers must ensure that the commands are obeyed and that guns are handled safely.

6.2.3.2 Guns and their magazines may only be loaded on the firing point and after the command “**LOAD**” or “**START**” is given. At all other times, guns and magazines must be kept unloaded.

6.2.3.3 Only one cartridge may be loaded in a rifle or 50m pistol even if it has a magazine. If a 5-shot Air Pistol is used in a 10m Air Pistol Event only one pellet may be loaded.

6.2.3.4 If an athlete fires a shot before the command “**LOAD**” or “**START**” is given, or after the command “**STOP**” or “**UNLOAD**” is given, he may be disqualified if safety is involved.

6.2.3.5 When the command or signal “**STOP**” is given, shooting must stop immediately. When the command “**UNLOAD**” is given, all athletes must unload their guns and magazines, and make them safe (to unload air guns ask the Range Officer for permission). Shooting may only resume when the command “**START**” is given again.

6.2.4 Additional Safety Requirements

6.2.4.1 **Dry Firing** means the release of the cocked trigger mechanism of an unloaded cartridge gun or the release of the trigger mechanism of an air or gas gun fitted with a device which enables the trigger to be operated without releasing the propelling charge (air or gas). Dry firing and aiming exercises are permitted only on the firing line or in a designated area in accordance with these rules.

6.2.4.2 It is the athlete’s responsibility that any air or CO₂ cylinder is still within its expiration date. This must be checked by Equipment Control.

6.2.5 Hearing Protection

All athletes, range officials and other persons in the immediate vicinity of the 25m, 50m and 300m firing lines and all shotgun ranges are urged to wear ear plugs, ear muffs, or similar ear protection. Notices must be prominently displayed and hearing protection must be available for all persons in the range areas. Hearing protection incorporating any type of receiving devices are not permitted for athletes.

6.2.6 Eye Protection

All athletes are urged to wear shatterproof shooting glasses or similar eye protection while shooting.

6.3 TARGETS AND TARGET STANDARDS

6.3.1 General Target Requirements

6.3.1.1 Targets used in ISSF Championships may be either Electronic Scoring Targets (EST) or paper targets for rifle and pistol events or clay targets for shotgun events.

USAS 6.3.1.1A Official USA Shooting licensed targets, ISSF approved targets and the targets which meet USA Shooting's specifications must be used in all USA Shooting sanctioned competitions. USA Shooting licensed 50 foot indoor rifle and pistol targets are now commercially available.

6.3.1.2 All targets must comply with the scoring ring, dimension or other specifications given in these rules.

6.3.2 Electronic Scoring Target Requirements

6.3.2.1 Only EST tested and approved by the ISSF may be used.

6.3.2.2 The accuracy requirement for EST is to score shots to an accuracy of at least one-half of one decimal scoring ring. The tolerances given for scoring ring sizes on paper targets are not applicable to EST.

6.3.2.3 All EST target units must provide a black aiming area corresponding in size to the black areas of the respective competition targets (Rule 6.3.4) and a non-reflective, contrasting white or off-white area surrounding the aiming area.

6.3.2.4 Scores recorded by EST must be determined according to scoring ring dimensions for competition targets (Rule 6.3.4).

6.3.2.5 Every shot hitting an EST must have its result with its location and value displayed on a monitor placed on the firing point.

6.3.2.6 10m EST must use a paper strip or other form of witness strip to allow a determination that a shot fired did, or did not, hit the target.

6.3.2.7 A printout of each athlete's results from a memory source other than the main EST system computer (back-up memory) must be available immediately during and after a competition.

6.3.2.8 When EST are used, the targets must be checked to ensure the targets are scoring correctly under normal conditions of use before each ISSF Championship under the supervision of the Technical Delegate.

USAS 6.3.2A USA Shooting authorizes the use of the Orion Scoring system at USA Shooting sanctioned rifle events and any additional applications (pistol) as they become available in the future. The use of the Orion Scoring System must be stated in the match program and the following requirements met:

Scoring must be consistent throughout the entire competition; competitors must shoot on the same brand name and style of target. All competition targets must be scored by the same method. If the Orion Scoring System is used, all competition targets must be scored in this manner.

Requirements for use with the Orion Scoring System:

24 bit color, 300 DPI

A4 paper size (target size)

Save each file as an uncompressed JPEG image

Support the 200 grams per square meter paper density of the targets

USAS 6.3.2B

Orion Scoring System Protests

The score of an individual shot on a 10 bull target may be protested. A competitor must designate the specific shot to be protested and pay the designated protest fee.

The statistical officer or scoring team will evaluate the protested shot by examining the original scan to determine if the shot hole was correctly identified by the system or if there is an obvious error (see the Orion User Manual, sec 5.7) and the shot was scored incorrectly. If there is an obvious error, the statistical officer may make a manual correction of the score.

If there is not an obvious error of the shot value, the statistical officer will re-score the protested shot by using the VIS system "Protest Shot" feature. If the original score was correct, a two point penalty will be deducted from the score of the protested shot. If the score protest is upheld, the score will be corrected and protest fee returned. Decisions regarding the protested shots that were re-scored by the VIS system are final and may not be appealed.

6.3.3 Paper Target Requirements

6.3.3.1 Samples of all paper targets (five (5) of each type) and clay targets (twenty (20) qualification targets and twenty (20) powder filled Finals targets) that are to be used in an ISSF Championship must be submitted to the ISSF Secretary General for testing, verification of specifications and approval at least six (6) months prior to the start of the Championship.

6.3.3.2 **The quality and dimensions** of all targets will be examined again by the Technical Delegate(s) prior to the beginning of each Championship. Only targets that are the same as the approved samples may be used.

6.3.3.3 Targets may be scored with scoring gauges that comply with Rule 6.3.5 or with ISSF approved electronic scoring systems.

6.3.3.4 **Target paper** must have a non-reflecting color and surface that makes the black aiming area (center) clearly visible at appropriate distances under normal light conditions. The target paper and scoring rings must retain dimensional accuracy under all weather and climatic conditions. The target paper must register shot holes without excessive tearing or distortion.

6.3.3.5 The dimensions of all scoring rings are measured from the outside edges (outside diameter) of the scoring rings.

6.3.3.6 In ISSF Championships, only targets with one (1) black aiming area are permitted, except for Running Target.

USAS 6.3.3.5A Multiple bull targets may be used in USAS Shooting sanctioned competitions (See target descriptions in Rule 6.4.2).

6.3.3.7 Targets are divided into scoring zones by scoring rings.

6.3.4 Targets and Target Standards

Targets must comply with the scoring ring dimensions, tolerances and specifications in this rule.

- Rifle and Pistol targets may be scored in full ring values or, if ESTs are used, in decimal ring values. Decimal ring scores are determined by dividing the scoring area for one full ring into ten equal scoring rings that are designated with decimal values starting with zero (i.e. 10.0, 9.0, etc.) and ending with nine (i. e. 10.9, 9.9, etc.);
- Rifle and Pistol Elimination and Qualification Round competitions are scored in full ring values, except that on a provisional basis, Elimination and Qualification Round competitions for 10m Air Rifle Men, 10m Air Rifle Women and 50m Rifle Prone Men events may be scored in decimal values. *Note: The Council will evaluate experiences with decimal scoring of Qualification competitions and decide whether to apply this rule on a permanent basis at the end of 2013; and*
- Rifle and Pistol Finals are scored in decimal values, except that 25m Pistol Finals use hit-miss scoring with hits zones based on decimal values established by the ISSF Executive Committee.

(USA Shooting Clarification: USA Shooting will remain with whole ring scoring in the 10 meter and 50 meter Prone events.)

6.3.4.1 300m Rifle Target

10 Ring	100 mm	(±0.5 mm)	5 Ring	600 mm	(±3.0 mm)
9 Ring	200 mm	(±1.0 mm)	4 Ring	700 mm	(±3.0 mm)
8 Ring	300 mm	(±1.0 mm)	3 Ring	800 mm	(±3.0 mm)
7 Ring	400 mm	(±3.0 mm)	2 Ring	900 mm	(±3.0 mm)
6 Ring	500 mm	(±3.0 mm)	1 Ring	1000 mm	(±3.0 mm)

Inner Ten = 50 mm (±0.5 mm).

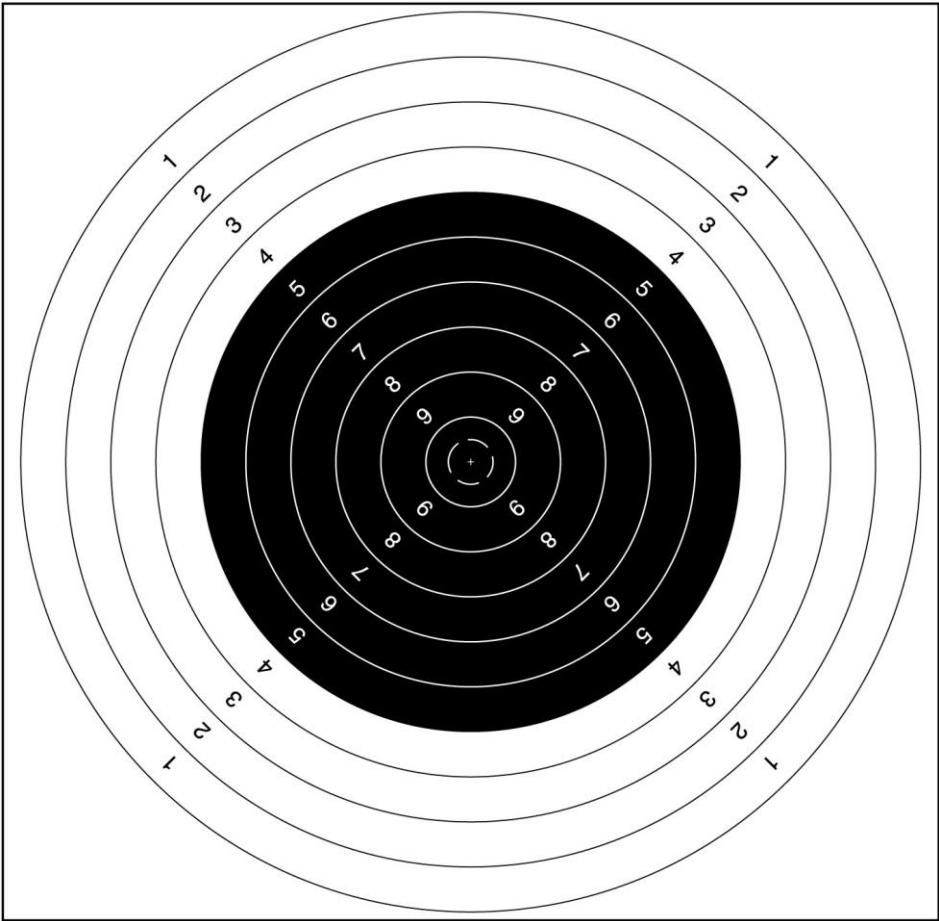
Black from 5 to 10 Rings = 600 mm (±3.0 mm).

Ring Thickness: 0.5 mm to 1.0 mm.

Minimum visible size of target card: 1300 mm x 1300 mm (or minimum 1020 mm x 1020 mm providing the background on which the target is mounted is the same color as the target).

Scoring ring values 1 – 9 are printed in the scoring zones, in diagonal lines at right angles to each other.

The 10-point zone is not marked with a number.



300m Rifle Target

USAS 6.3.4.1A 300m Rifle Target Reduced to American Distances

10 Ring	90.75	(±0.5mm)	5 Ring	547.95	(±3.0mm)
9 Ring	182.19	(±1.0mm)	4 Ring	639.39	(±3.0mm)
8 Ring	273.63	(±1.0mm)	3 Ring	730.83	(±3.0mm)
7 Ring	365.07	(±3.0mm)	2 Ring	822.27	(±3.0mm)
6 Ring	456.51	(±3.0mm)	1 Ring	913.71	(±3.0mm)

Inner Ten = 45.03(±0.5mm).

Diameter of the black: 5 to 10 rings = 547.95 mm.

Ring Thickness: 1.0 mm - 2.0 mm.

Minimum visible size of the target card: 1200 mm x 1200 mm (47.3 x 47.3 inches).

Scoring ring values 1 - 9 are printed in the scoring zones, in diagonal planes at right angles to each other.

The 10 point zone is not marked with a number.

200 Yard Rifle Target (300m rifle target reduced to 200yards)

10 Ring	57.82	(±0.2mm)	5 Ring	362.62(±2.0mm)
9 Ring	118.78	(±0.3mm)	4 Ring	423.58(±2.0mm)
8 Ring	179.74	(±0.5mm)	3 Ring	484.54(±2.0mm)
7 Ring	240.70	(±2.0mm)	2 Ring	545.50(±2.0mm)
6 Ring	301.66	(±2.0mm)	1 Ring	606.46(±2.0mm)

Inner Ring = 27.34(±0.3mm).

Diameter of the black: 5 to 10 rings = 362.62mm.

Ring Thickness: 1.0 mm - 2.0 mm.

Minimum visible size of the target card 800 mm x 800 mm (31.5 x 31.5 inches).

Scoring ring values 1-9 are printed in the scoring zones, in diagonal planes at right angles to each other.

The 10 point zone is not marked with a number.

100 Yard Rifle Target (300m rifle target reduced to 100 yards)

10 ring	24.88	(±0.2mm)	5 Ring	177.28	(±1.0mm)
9 Ring	55.36	(±0.3mm)	4 Ring	207.76	(±1.0mm)
8 Ring	85.84	(±0.3mm)	3 Ring	238.24	(±1.0mm)
7 Ring	116.32	(±1.0mm)	2 Ring	268.72	(±1.0mm)
6 Ring	146.80	(±1.0mm)	1 Ring	299.20	(±1.0mm)

Inner Ten = 9.64(±0.2mm)

Diameter of the black: 182.88 mm.

Ring Thickness: 0.5 mm to 1.0 mm.

Minimum visible size of the target card 356 mm x 1067 mm
(14 x 42 inches)

Each target will have three bull's eyes printed in a vertical line, equally spaced from top to bottom on the target card.

The top bull's-eye is the sighting bull's-eye.

Scoring ring value 1-9 are printed in the scoring zones in vertical and horizontal planes, at right angles to each other.

A horizontal line is printed midway between the sighting bull's-eye and the top record bull's-eye to define the sighting area.

6.3.4.2

50m Rifle Target

10 Ring	10.4 mm	(±0.1 mm)	5 Ring	90.4 mm	(±0.5 mm)
9 Ring	26.4 mm	(±0.1 mm)	4 Ring	106.4 mm	(±0.5 mm)
8 Ring	42.4 mm	(±0.2 mm)	3 Ring	122.4 mm	(±0.5 mm)
7 Ring	58.4 mm	(±0.5 mm)	2 Ring	138.4 mm	(±0.5 mm)
6 Ring	74.4 mm	(±0.5 mm)	1 Ring	154.4 mm	(±0.5 mm)

Inner Ten = 5 mm (±0.1 mm).

Black from part of 3 to 10 rings = 112.4 mm (±0.5 mm).

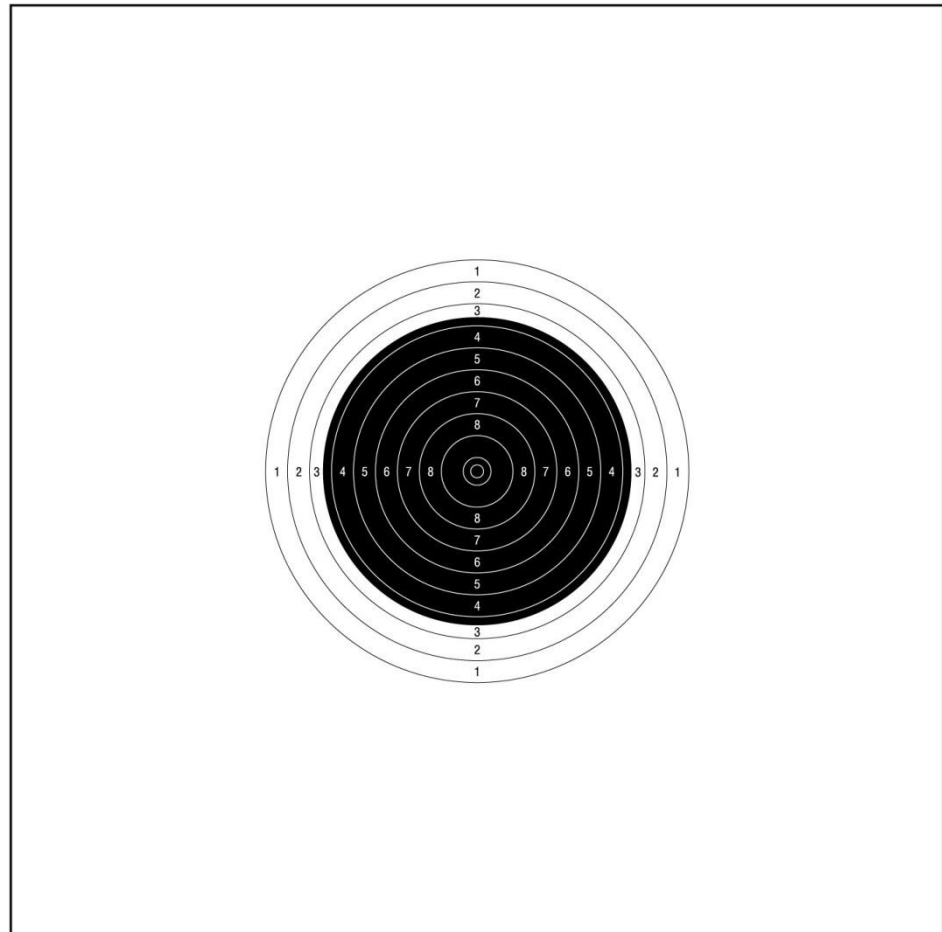
Ring Thickness: 0.2 mm to 0.3 mm.

Minimum visible size of target card: 250 mm x 250 mm.

Scoring ring values 1 – 8 are printed in the scoring zones in vertical and horizontal lines, at right angles to each other.

The 9 and 10-point zones are not marked with a number.

Insert targets (200 mm x 200 mm) may be used.



50m Rifle Target

USAS 6.3.4.2A Various Adapted American Style Targets

50 Meter Multiple Bull's-eye Rifle Target

10 Ring	10.4mm	(±0.1mm)	5 Ring	90.4mm	(±0.5mm)
9 Ring	26.4mm	(±0.2mm)	4 Ring	106.4mm	(±0.5mm)
8 Ring	42.4mm	(±0.2mm)	3 Ring	122.4mm	(±0.5mm)
7 Ring	58.4mm	(±0.5mm)	2 Ring	138.4mm	(±0.5mm)
6 Ring	74.4mm	(±0.5mm)	1 Ring	154.4mm	(±0.5mm)

Inner Ten = 5mm (±0.1mm).

Diameter of the black bull's-eye: 112.4mm (±0.5mm).

Ring Thickness: 0.2mm to 0.3mm.

Minimum visible size of the target card 356 mm x 610 mm
(14 x 24 inches).

Each target card will have six bulls-eye printed in pairs, equally spaced within the border from top to bottom on the target card.

Scoring ring values 1 - 8 are printed in the scoring zones in vertical and horizontal planes, at right angles to each other.

The top two bull's-eyes are the sighting bulls-eye.

A horizontal line is printed midway between the sighting bulls-eye and the top record bulls-eye to define the sighting area.

50 Yard Multiple Bull's-eye Rifle Target (50m Rifle Target Reduced to 50 Yards)

10 Ring	9.03mm	(±0.1mm)	5 Ring	82.18mm	(±0.5mm)
9 Ring	23.66mm	(±0.2mm)	4 Ring	96.81mm	(±0.5mm)
8 Ring	38.29mm	(±0.2mm)	3 Ring	111.44mm	(±0.5mm)
7 Ring	52.92mm	(±0.5mm)	2 Ring	126.07mm	(±0.5mm)
6 Ring	67.55mm	(±0.5mm)	1 Ring	140.70mm	(±0.5mm)

Inner Ten = 4.09mm (±0.1mm).

Diameter of the black: 102.78mm (±0.5mm).

Ring Thickness: 0.2mm to 0.3mm.

Minimum visible size of the target card 356mm x 610mm
(14 x 24 inches).

Each target card will have six bulls-eye printed in pairs, equally spaced within the border from top to bottom on the target card.

Scoring ring values 1 - 8 are printed in the scoring zones in vertical and horizontal planes, at right angles to each other.

The top two bulls-eyes are the sighting bulls-eye.

A horizontal line is printed midway between the sighting bulls-eye and the top record bulls-eye to define the sighting area

50 Foot Multiple Bull's-eye Rifle Target (50m Rifle Target Reduced to 50 Feet)

USA Shooting 50-Foot Target

10 Ring	0.76mm	(±0.1mm)	6 Ring	18.75mm	(±0.1mm)
9 Ring	4.12mm	(±0.1mm)	5 Ring	23.63mm	(±0.1mm)
8 Ring	9.00mm	(±0.1mm)	4 Ring	28.50mm	(±0.1mm)
7 Ring	13.87mm	(±0.1mm)	3 Ring	33.38mm	(±0.1mm)

Diameter of the black: 33.38mm.

Rings 3 to 10 are black.

Rings 1 and 2 are not printed on the target in order to promote clarity.

Ring Thickness: 0.2mm to 0.3mm.

Minimum visible size of the target card 267mm x 305mm
(10 1/2 x 12 in).

Each target card will have 12 bulls-eyes. 10 record bulls-eye are printed around the perimeter of the target card with two sighting Bulls-eye in the center.

Scoring ring values 3 - 8 are printed in the scoring zones on the sighting bulls-eye only. A guard ring is printed around the sighting bulls-eye 10mm (±0.5mm) from the outer scoring rings to define the sighting area.

All bullet holes are scored according to the highest value of the target scoring zone or ring that is touched by that bullet hole. *Any shot outside the 3 ring must be scored as a zero as there are no scoring rings 1 or 2.*

The Outward Scoring Gauge:

The outward scoring gauge should be used to score rings 6-10 on this target. An outward gauge measures against a scoring ring that has not been disturbed by a bullet hole. If the outside edge of the gauge is outside of the outside edge of the scoring ring you are using as your reference, score lower value; if the outside edge of the gauge is tangent to the outer edge of the scoring ring you are using as your reference or closer to the center, score the higher value.

The Inward Scoring Gauge:

An inward scoring gauge is used for scoring values lower than 6 and inner 10's if needed. It can be used to score all shots if no outward gauge is available. The inward scoring gauge must touch the scoring ring you are using for your reference to receive the higher value (except the 10-ring).

Ten Ring (dot) Scoring: Using an inward gauge, the 10-ring (dot) must be totally covered by the inward gauge to score a '10'. If any of the 10-ring (dot) is visible with the inward gauge inserted; the shot value is '9'.

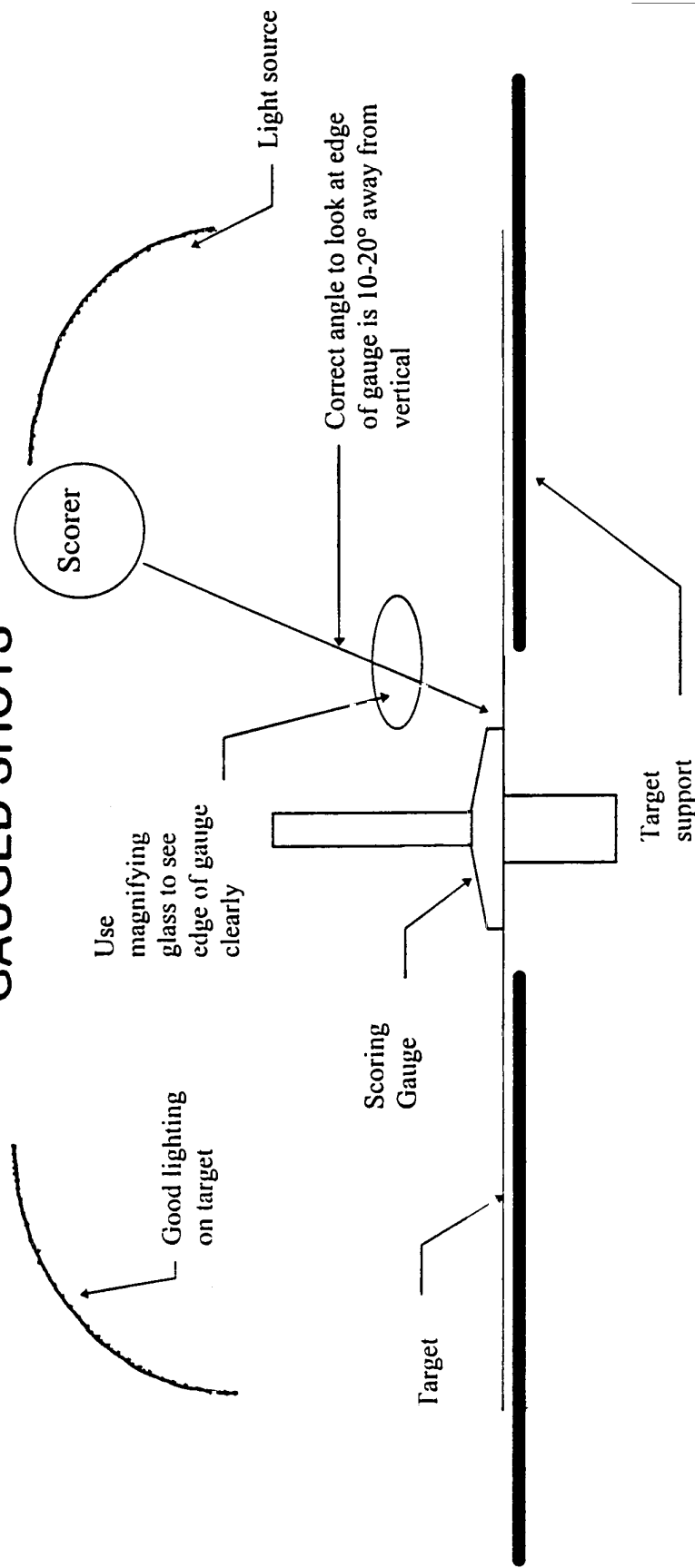
See the 'Inward Scoring Gauges' graphic on the following page.

Inner Ten Scoring: The inward scoring gauge must be used to determine inner 10's. Any shot hole where the inner gauge covers the 10-ring (dot) and does not exceed the outside edge of the 8-ring is scored as an inner 10. It is not necessary to score inner tens except if needed for tie-breaking.

A shot hole may be plugged twice, only if knowledge of inner ten's is needed for tie-breaking. Follow all tie-breaking rules in order. If a shot is plugged twice, be very careful inserting the scoring gauge, as the shot hole diameter may have been changed by the first plugging.

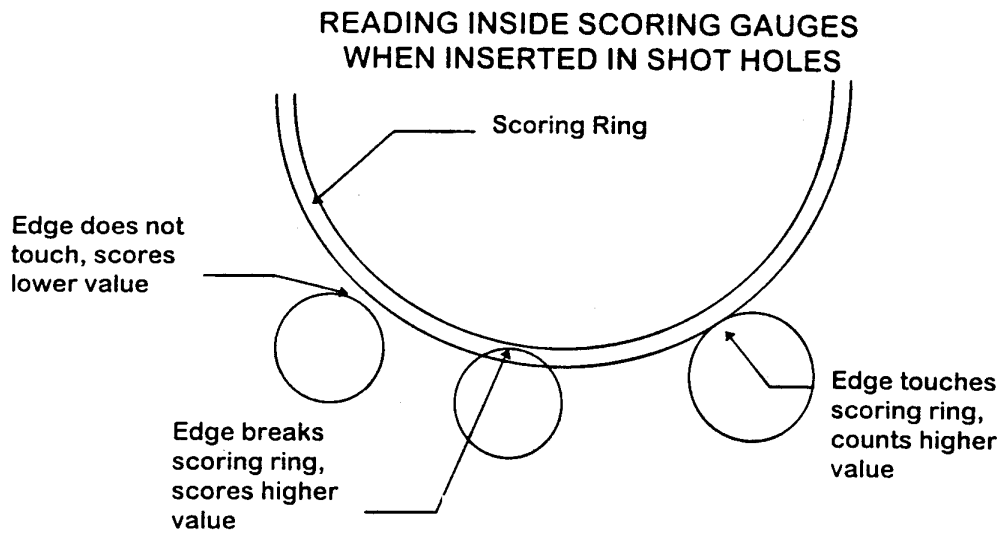
Shots may not be plugged more than once for any other reason.

CORRECT METHOD OF SCORING GAUGED SHOTS



Applying the correct method of scoring with a scoring gauge includes 1) placing the target horizontally on a support, 2) having the target well-lit, 3) looking at the edge of the gauge from a slight angle and 4) using a magnifying glass whenever necessary.

INWARD SCORING GAUGES



If you can see even a faint black gap between the edge of the scoring gauge and the outside edge of the white scoring ring, the shot receives the lower value. If you cannot see a "gap" and the gauge "touches" the outside edge of the scoring ring, the shot receives the higher value.

A shot that touches is "IN"
A shot that does not touch is "OUT"

OUTWARD SCORING GAUGES

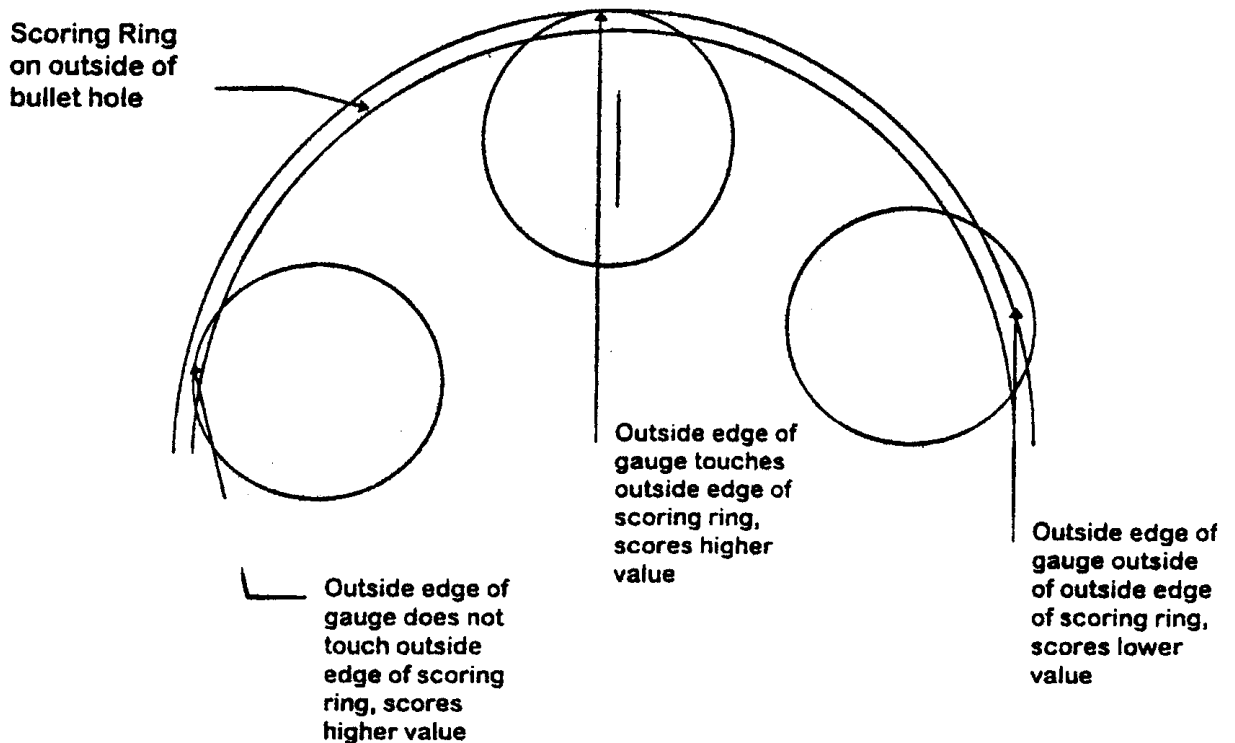
READING OUTSIDE SCORING GAUGES

WHEN INSERTED IN SHOT HOLES

If you can see white between the outside edge of the scoring gauge and the outside edge of the outer white scoring ring, the shot receives the higher value. Even if you cannot see white, but can see that the outside edge of the gauge just “touches” or is tangent to the outside edge of the scoring ring, the shot receives the higher value. If any part of the outside edge of the scoring gauge lies outside of the outside edge of the scoring ring, the shot receives the lower value.

If the outside gauge does not touch or just touches the outside of the ring, the shot is “IN”

If any part the outside gauge lies outside of the ring, the shot is “OUT”



6.3.4.3

10m Air Rifle Target

10 Ring	0.5 mm	(±0.1 mm)	5 Ring	25.5 mm	(±0.1 mm)
9 Ring	5.5 mm	(±0.1 mm)	4 Ring	30.5 mm	(±0.1 mm)
8 Ring	10.5 mm	(±0.1 mm)	3 Ring	35.5 mm	(±0.1 mm)
7 Ring	15.5 mm	(±0.1 mm)	2 Ring	40.5 mm	(±0.1 mm)
6 Ring	20.5 mm	(±0.1 mm)	1 Ring	45.5 mm	(±0.1 mm)

Inner Ten: When the 10 Ring (dot) has been shot out completely as determined by the use of an Air Pistol OUTWARD scoring gauge.

Black from 4 to 9 rings = 30.5 mm (±0.1 mm).

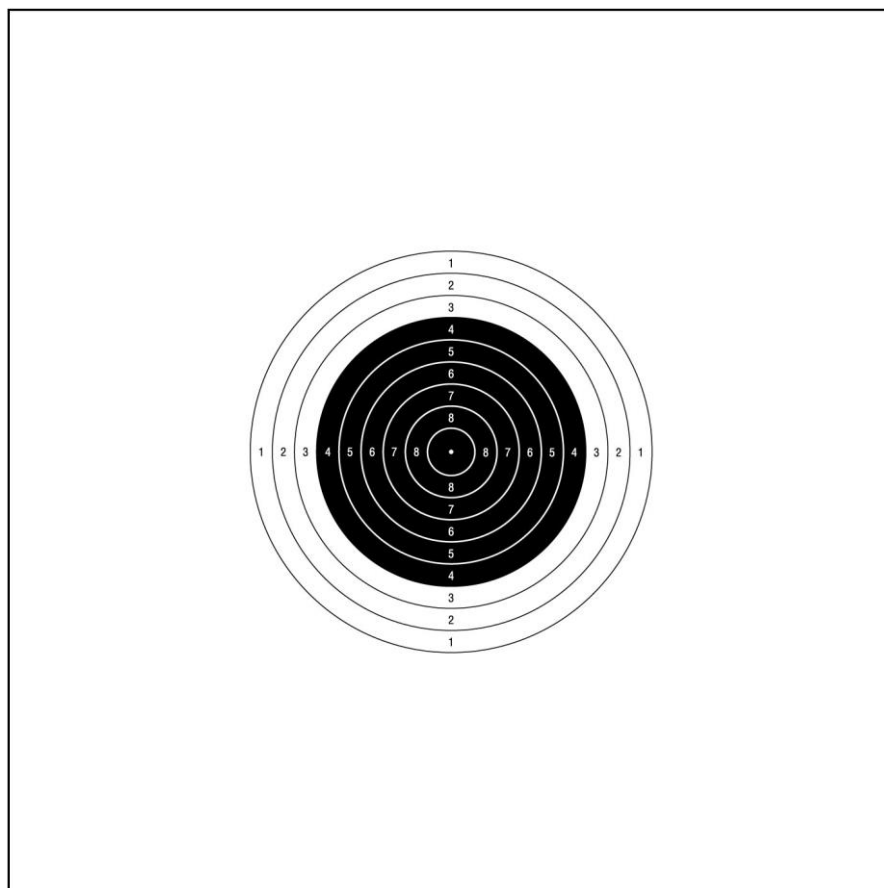
The ten ring is a white dot = 0.5 mm (±0.1 mm).

Ring thickness: 0.1 mm to 0.2 mm.

Minimum visible size of target card: 80 mm x 80 mm.

Scoring ring values 1 – 8 are printed in the scoring zones in vertical and horizontal lines, at right angles to each other. The 9 point zone is not marked with a number. The 10 is a white dot.

Background cards 170 mm x 170 mm, similar in color to the target material should be provided to improve the visibility of the target.



10m Air Rifle Target

USAS 6.3.4.3A 10 Meter Multiple Bull's-eye Air Rifle Target

10 Ring	0.5mm	(±0.1mm)	5 Ring	25.5mm	(±0.1mm)
9 Ring	5.5mm	(±0.1mm)	4 Ring	30.5mm	(±0.1mm)
8 Ring	10.5mm	(±0.1mm)	3 Ring	35.5mm	(±0.1mm)
7 Ring	15.5mm	(±0.1mm)	2 Ring	40.5mm	(±0.1mm)
6 Ring	20.5mm	(±0.1mm)	1 Ring	45.5mm	(±0.1mm)

Inner Ten = When the 10 ring (dot) has been shot out completely as determined by the use of an Air Rifle inward scoring gauge.

Diameter of the black: from 4 - 9 rings = 30.5mm.

Ring Thickness: 01.mm to 0.2mm.

Minimum visible size of the target card 267mm x 305mm (10 1/2 x 12 in).

Each target card will have 12 bulls-eyes. 10 record bulls-eyes are printed around the perimeter of the target card with two sighting bulls-eye in the center.

Scoring ring values 1 - 8 are printed in the scoring zones in vertical and horizontal planes, at right angles to each other.

A guard ring is printed around the sighting bulls-eye 10mm (±0.5mm) from the outer scoring rings to define the sighting area.

6.3.4.4 25m Rapid Fire Pistol Target

(for the 25m Rapid Fire Pistol event and the Rapid Fire stages of the 25m Center Fire and 25m Pistol events):

10 ring	100 mm	(±0.4 mm)	7 ring	340 mm	(±1.0 mm)
9 ring	180 mm	(±0.6 mm)	6 ring	420 mm	(±2.0 mm)
8 ring	260 mm	(±1.0 mm)	5 ring	500 mm	(±2.0 mm)

Inner Ten: 50 mm (±0.2 mm).

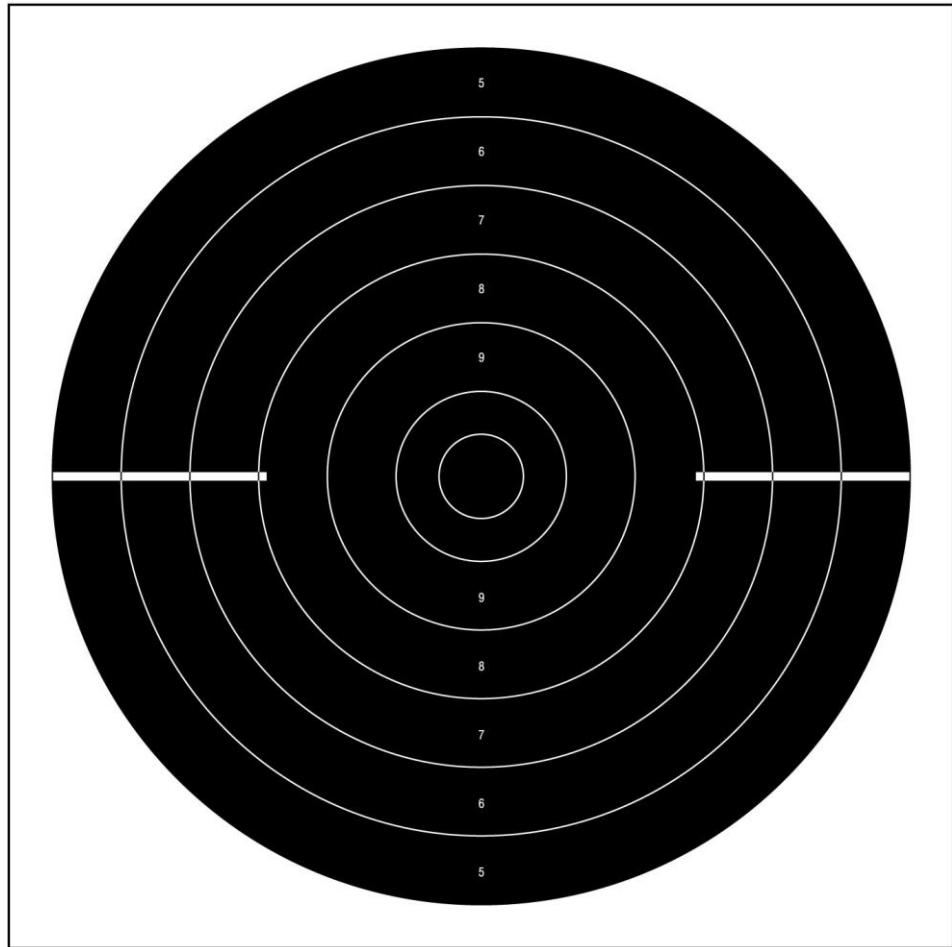
Black from 5 to 10 rings = 500 mm (±2.0 mm).

Ring thickness: 0.5 mm to 1.0 mm.

Minimum visible size of target card: width: 550 mm;

height: 520 mm – 550 mm.

Scoring ring values 5 – 9 are printed in the scoring zones, in vertical lines only. The 10 point zone is not marked with a number. The zone numbers must be approximately 5 mm high and 0.5 mm thick. White horizontal aiming lines replace the ring values at the left and the right side of the target center. Each of the lines is 125 mm long and 5 mm wide.



25m Rapid Fire Pistol Target

USAS 6.3.4.4A 25 M Rapid Fire Pistol Target Adapted for Shorter Distance

25 Yard Rapid Fire Pistol Target

25 meter rapid fire pistol target reduced for 25 yards (for the Rapid Fire Pistol event and the Rapid Fire stage of the Center Fire and Sport Pistol events)

10 Ring	90.96mm	(±0.4mm)	7 Ring	310.41mm	(±1.0mm)
9 Ring	164.11mm	(±0.6mm)	6 Ring	383.57mm	(±1.0mm)
8 Ring	237.26mm	(±1.0mm)	5 Ring	456.72mm	(±1.0mm)

Inner Ten = 45.24mm (±0.2mm).

Black from 5 to 10 rings = 456.72mm.

Ring Thickness: 0.5mm to 1.0mm.

Minimum visible size of target card: 503mm x 503mm (19.8 x 19.8 inches).

Scoring ring values 5 - 9 are printed in the scoring zones, in vertical lines only. The 10 point zone is not marked with a number. The zone numbers shall be approximately 10mm high and 1mm thick (see Figure 4). White horizontal aiming lines replace the ring values at the left and the right side of the target center. Each of

the line is 114.18 mm long and 4.57 mm wide (see Figure 4).

50 Foot Rapid Fire Pistol Target

25 meter rapid fire pistol target reduced for 50 foot (for the Rapid Fire Pistol event and the Rapid Fire stage of the Center Fire and Sport Pistol events):

10 Ring	58.75mm	(±0.2mm)	7 Ring	205.06mm	(±0.5mm)
9 Ring	107.52mm	(±0.2mm)	6 Ring	253.83mm	(±0.5m)
8 Ring	156.29mm	(±0.5mm)	5 Ring	302.59mm	(±0.5mm)

Inner Ten = 28.27mm (±0.2mm).

Black from 5 to 10 rings = 302.59mm.

Ring Thickness: 0.5mm to 1.0mm.

Minimum visible size of target card: 335mm x 335mm
(13.2 x 13.2 inches).

Scoring ring values 5 - 9 are printed in the scoring zones, in vertical lines only. The 10 point zone is not marked with a number. The zone numbers shall be approximately 6mm high and 0.5mm thick (see Figure 4). White horizontal aiming lines replace the ring values at the left and the right side of the target center. Each of the lines is 75.65 mm long and 3.03 mm wide (see Figure 4).

6.3.4.5

25m Precision and 50m Pistol Target

(for the 50m Pistol and 25m Standard Pistol events and the precision stage of the 25m Center Fire and the 25m Pistol events)

10 ring	50 mm	(±0.2 mm)	5 ring	300 mm	(±1.0 mm)
9 ring	100 mm	(±0.4 mm)	4 ring	350 mm	(±1.0 mm)
8 ring	150 mm	(±0.5 mm)	3 ring	400 mm	(±2.0 mm)
7 ring	200 mm	(±1.0 mm)	2 ring	450 mm	(±2.0 mm)
6 ring	250 mm	(±1.0 mm)	1 ring	500 mm	(±2.0 mm)

Inner ten: 25 mm (±0.2 mm).

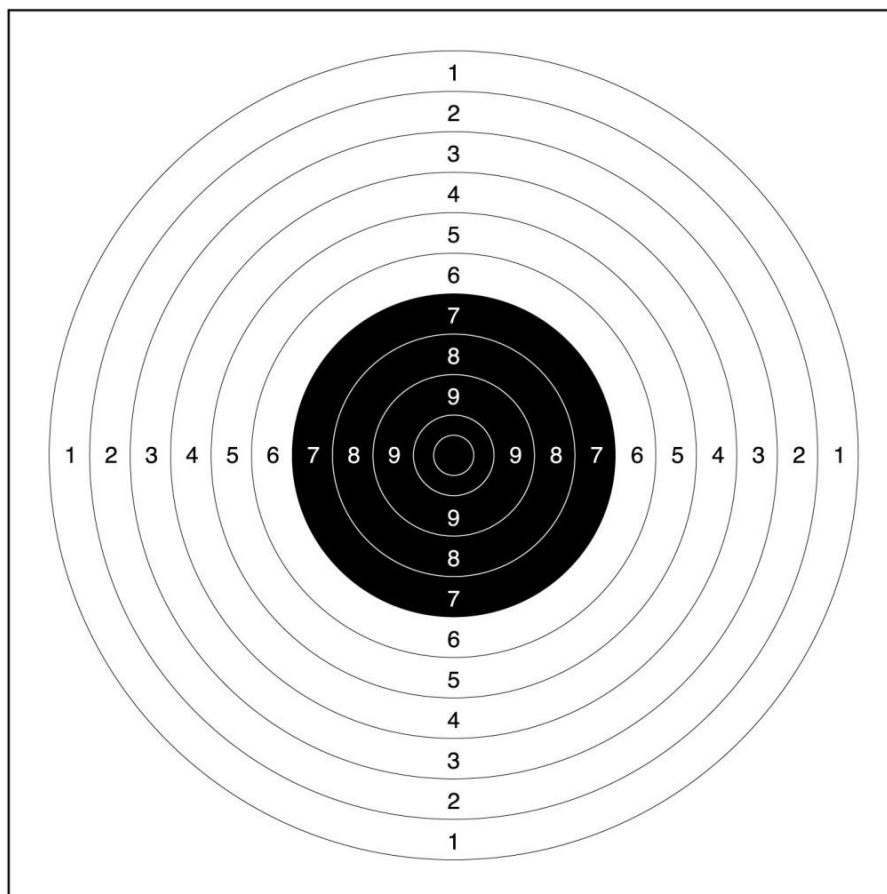
Black from 7 to 10 rings = 200 mm (±1.0 mm).

Ring thickness: 0.2 mm to 0.5 mm.

Minimum visible size of target card: width: 550 mm

height: 520 mm - 550 mm.

Scoring ring values 1 – 9 are printed in the scoring zones, in vertical and horizontal lines, at right angles to each other. The 10-point zone is not marked with a number. Zone numbers must be approximately 10mm high, 1 mm thick and must be read easily with normal spotting telescopes at the appropriate distance.



25m Precision and 50m Pistol Target

USAS 6.3.4.5A 25m Precision and 50m Pistol Target for Reduced Distance

50 Yard Precision Pistol Target

25m and 50m precision pistol target reduced for 25 yards and 50 yards

(for the 50 yard Free Pistol and 25 yard Standard Pistol events and the precision stage of Center fire and the Sport Pistol events).

10 Ring	45.24mm	(±0.2mm)	5 Ring	273.84mm	(±1.0mm)
9 Ring	90.96mm	(±0.4mm)	4 Ring	319.56mm	(±1.0mm)
8 Ring	136.68mm	(±0.6mm)	3 Ring	365.28mm	(±1.0mm)
7 Ring	182.40mm	(±1.0mm)	2 Ring	411.00mm	(±1.0mm)
6 Ring	228.12mm	(±1.0mm)	1 Ring	456.72mm	(±1.0mm)

Inner Ten = 22.38(±0.2mm).

Black from 7 to 10 rings = 182.4mm.

Ring Thickness: 0.2mm to 0.5mm.

Minimum visible size of target card: 503mm x 503mm

(19.8 x 19.8 inches).

Scoring ring values 1 - 9 are printed in the scoring zones, in vertical and horizontal planes, at right angles to each other. The 10 point zone is not marked with a number. The zone numbers shall be approximately 10mm high, 1mm thick and shall be easily read with normal spotting telescopes at the appropriate distance.

25 Yard Precision Pistol Target

25m and 50m precision pistol target reduced for 25 yards (to be used for 25 yard Free Pistol events).

10 Ring	19.79mm	(±0.1mm)	5 Ring	134.09mm	(±0.3mm)
9 Ring	42.65mm	(±0.1mm)	4 Ring	156.95mm	(±0.3mm)
8 Ring	65.51mm	(±0.1mm)	3 Ring	179.81mm	(±0.3mm)
7 Ring	88.37mm	(±0.3mm)	2 Ring	202.67mm	(±0.3mm)
6 Ring	111.23mm	(±0.3mm)	1 Ring	225.53mm	(±0.3mm)

Inner Ten = 8.36mm(±0.1mm).

Black: 88.37mm.

Ring Thickness: 0.1mm to 0.2mm.

Minimum visible size of target card: 305mm x 305mm
(12 x 12 inches)

Scoring ring values 1 - 8 are printed in the scoring zones, in vertical and horizontal planes, at right angles to each other. The 9 and 10 point zones are not marked with numbers. The zone numbers shall be approximately 4mm high, 0.2mm thick and shall be easily read with normal spotting telescopes at the appropriate distance.

50 Foot Precision Pistol Target

25m and 50m precision pistol target reduced for 50 foot (to be used for 50 foot Free Pistol events).

10 Ring	11.31mm	(±0.1mm)	5 Ring	87.51mm	(±0.3mm)
9 Ring	26.55mm	(±0.1mm)	4 Ring	102.75mm	(±0.3mm)
8 Ring	41.79mm	(±0.1mm)	3 Ring	117.99mm	(±0.3mm)
7 Ring	57.03mm	(±0.3mm)	2 Ring	133.23mm	(±0.3mm)
6 Ring	72.27mm	(±0.3mm)	1 Ring	148.47mm	(±0.3mm)

Inner ten = 3.69mm(±0.1mm)

Black: 57.03mm.

Ring Thickness: 0.1mm to 0.2mm.

Minimum visible size of target card: 203mm x 203mm

(8 x 8 inches).

Scoring ring values 1 - 8 are printed in the scoring zones, in vertical and horizontal planes, at right angles to each other. The 9 and 10 point zones are not marked with numbers. The zone numbers shall be approximately 3mm high, 0.1mm thick and shall be easily read with normal spotting telescopes at the appropriate distance.

50 Foot Sport Pistol Target

25m and 50m precision pistol target reduced for 50 foot (to be used for 50 foot Sport, Standard and Center Fire Pistol events).

10 Ring	28.27mm	(±0.1mm)	5 Ring	180.67mm	(±0.3mm)
9 Ring	58.75mm	(±0.1mm)	4 Ring	211.15mm	(±0.3mm)
8 Ring	89.23mm	(±0.1mm)	3 Ring	241.63mm	(±0.3mm)
7 Ring	119.71mm	(±0.3mm)	2 Ring	272.11mm	(±0.3mm)
6 Ring	150.19mm	(±0.3mm)	1 Ring	302.59mm	(±0.3mm)

Inner ten = 13.03mm (±0.1mm).

Black: 121.92mm.

Ring thickness: 0.1mm to 0.2mm.

Minimum visible size of target card: 330mm x 330mm

(13 x 13 inches).

Scoring ring values 1 - 9 are printed in the scoring zones, in vertical and horizontal planes, at right angles to each other. The 10 point zone is not marked with a number. The zone numbers shall be approximately 4mm high, 0.2mm thick and shall be easily read with normal spotting telescopes at the appropriate distance.

6.3.4.6

10m Air Pistol Target

10 ring	11.5 mm	(±0.1 mm)	5 ring	91.5 mm	(±0.5 mm)
9 ring	27.5 mm	(±0.1 mm)	4 ring	107.5 mm	(±0.5 mm)
8 ring	43.5 mm	(±0.2 mm)	3 ring	123.5 mm	(±0.5 mm)
7 ring	59.5 mm	(±0.5 mm)	2 ring	139.5 mm	(±0.5 mm)
6 ring	75.5 mm	(±0.5 mm)	1 ring	155.5 mm	(±0.5 mm)

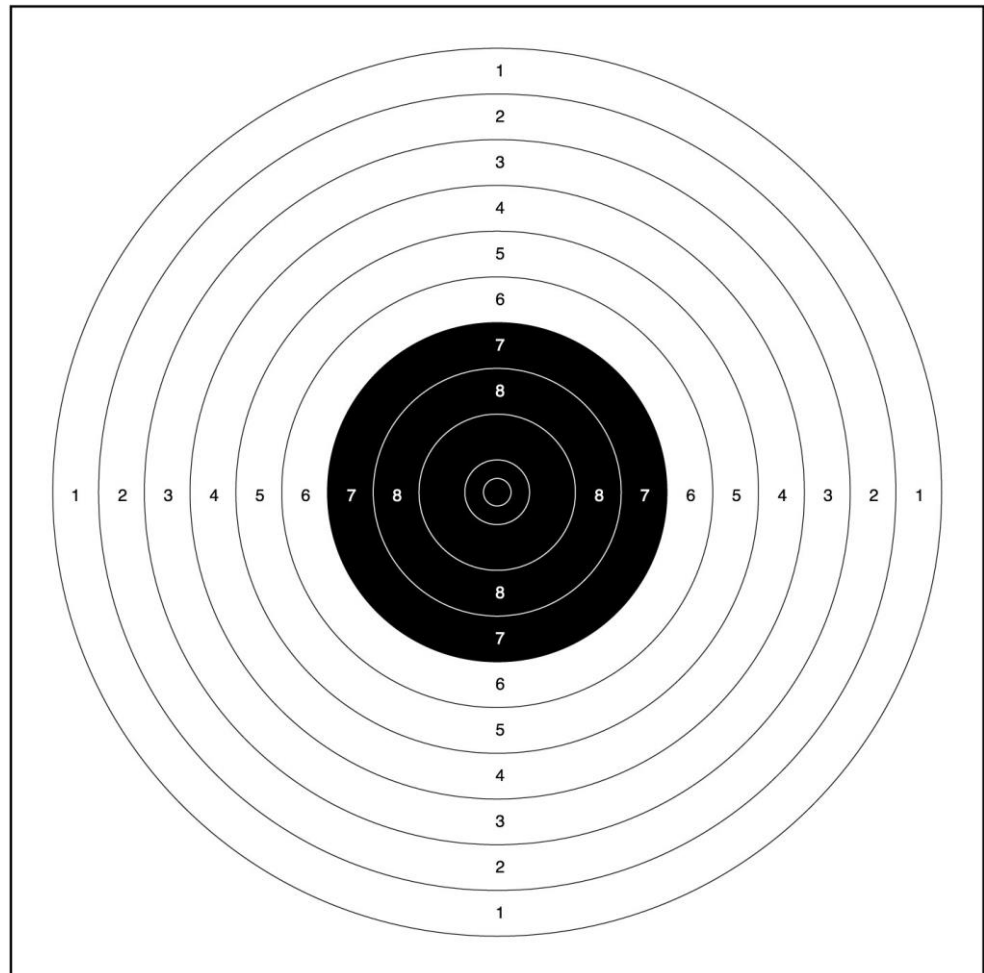
Inner ten: 5.0 mm (±0.1 mm).

Black from 7 to 10 rings = 59.5 mm (±0.5 mm).

Ring thickness: 0.1 mm to 0.2 mm.

Minimum visible size of target card: 170 mm x 170 mm.

The scoring ring values 1 to 8 are printed in the scoring zones in vertical and horizontal lines, at right angles to each other. The ten and the nine zones are not marked with a number. The zone numbers must not be more than 2 mm high.



10m Air Pistol Target

6.3.4.7

50m Running Target

The 50m Running Target depicts a running wild boar with scoring rings printed on the shoulder of the animal. Targets must be printed in one color only. The Running Target is printed to show the animal running in left and right directions. The animal must be printed on a rectangular-shaped target paper. Trimming the frame to the shape of the animal is not permitted (see Figure A).

10 ring	60 mm	(±0.2 mm)	5 ring	230 mm	(±1.0 mm)
9 ring	94 mm	(±0.4 mm)	4 ring	264 mm	(±1.0 mm)
8 ring	128 mm	(±0.6 mm)	3 ring	298 mm	(±1.0 mm)
7 ring	162 mm	(±0.8 mm)	2 ring	332 mm	(±1.0 mm)
6 ring	196 mm	(±1.0 mm)	1 ring	366 mm	(±1.0 mm)

Inner ten: 30 mm (±0.2 mm).

Ring thickness: 0.5 mm to 1.0 mm.

The center of the 10 ring must be 500 mm from the tip of the nose of the boar measured on a horizontal line.

Scoring ring values 1 to 9 must be printed clearly in the appropriate scoring zones in diagonal lines at right angles to each other.

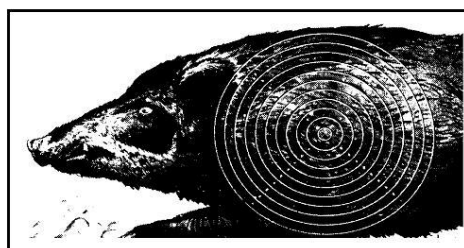
Repair centers (C) or half targets (B) may be used. The repair centers or half targets must be correctly placed on the full target.

A single 50m Running Target with two heads, one running in each direction, and with two scoring ring areas may be used for Paper Targets (D).

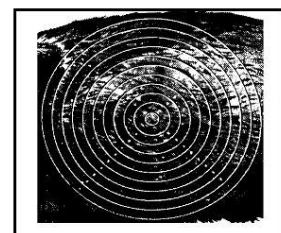
A single 50m Running Target with two heads, one running in each direction, and with one scoring ring area may be used for ESTs (E).



A



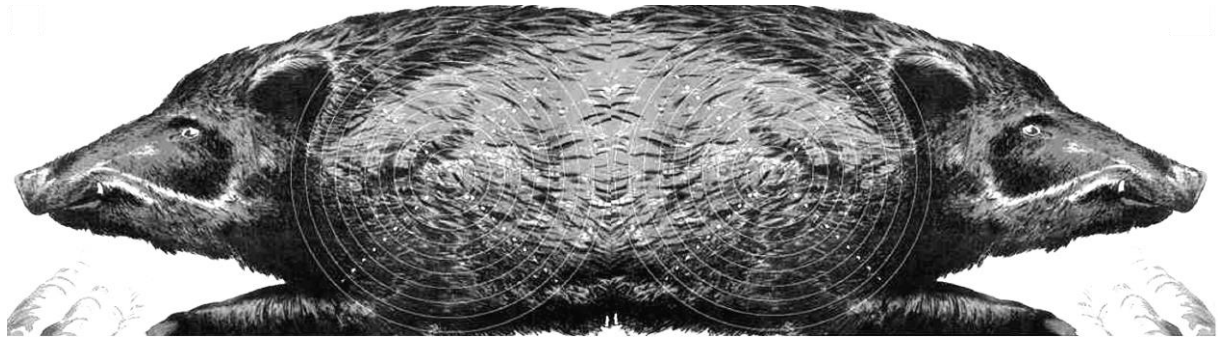
B



C

50m Running Target for Paper Targets

D



50m Running Target for ESTs

E



6.3.4.8

10m Running Target

The 10m Running Target is a single card with two scoring zones each with rings 1 to 10 on the two sides and a single aiming mark in the center.

10 ring	5.5 mm	(±0.1 mm)	5 ring	30.5 mm	(±0.1 mm)
9 ring	10.5 mm	(±0.1 mm)	4 ring	35.5 mm	(±0.1 mm)
8 ring	15.5 mm	(±0.1 mm)	3 ring	40.5 mm	(±0.1 mm)
7 ring	20.5 mm	(±0.1 mm)	2 ring	45.5 mm	(±0.1 mm)
6 ring	25.5 mm	(±0.1 mm)	1 ring	50.5 mm	(±0.1 mm)

Inner ten is white: 0.5 mm (±0.1 mm), gauged in the same way as rings 3 – 10.

Black from 5 to 10 rings = 30.5 mm (±0.1 mm).

Ring thickness: 0.1 mm to 0.2 mm.

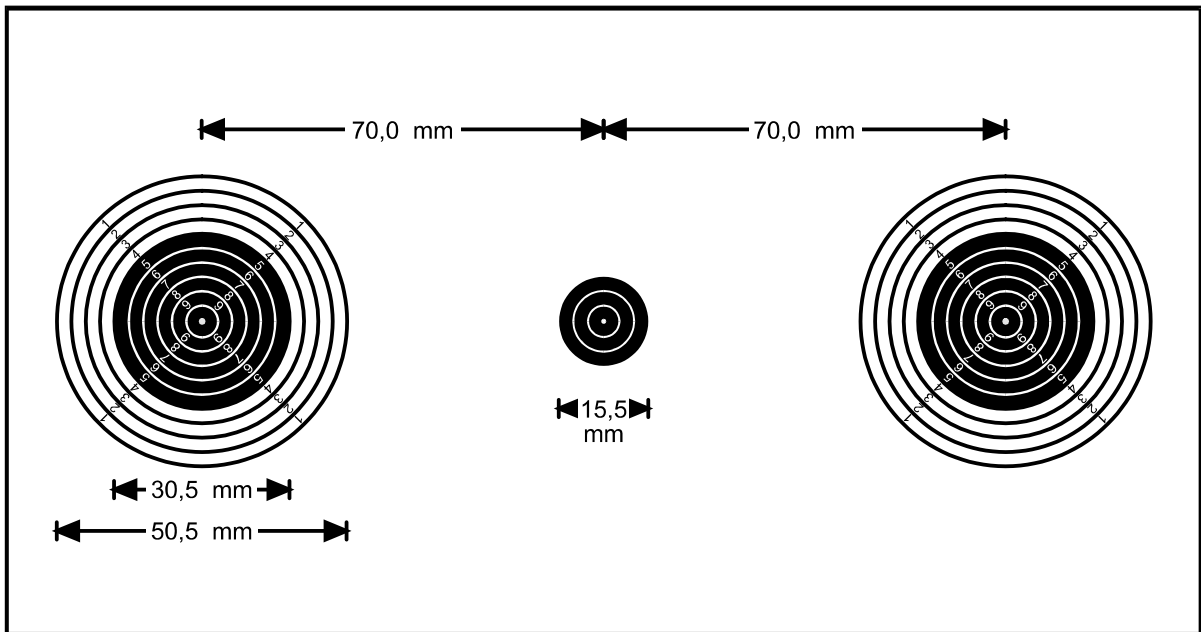
Recommended size of target card: 260 mm x 150 mm (minimum 260 mm x 140 mm).

The center of the 10 ring must be 70 mm (+/-0.2 mm) from the center of the aiming mark measured on a horizontal line.

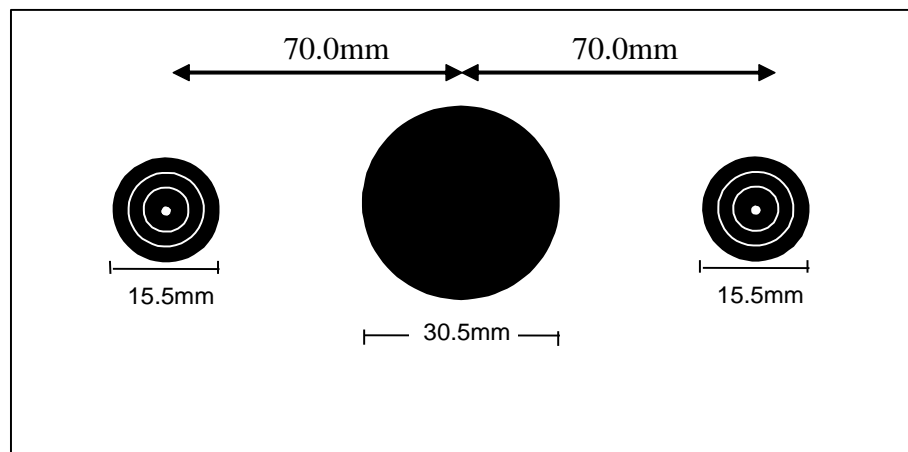
Scoring ring values 1 to 9 must be printed clearly in the appropriate scoring zones in diagonal lines at right angles to each other.

The aiming mark is black with an outside diameter of 15.5 mm and must include white rings of the size of the 10 (5.5 mm) and 9 (10.5 mm) rings and a white central dot (0.5 mm).

10m Running Target Paper Target



10m Running Target Electronic Target



The 30.5 mm diameter is a hole.

6.3.5

Scoring Gauges and Their Use

When paper targets are used, scoring gauges must be used to score doubtful shot holes. Scoring gauges must comply with the following requirements:

USAS 6.3.5A

Courses of fire that require multiple shots on a bull's-eye will occasionally have groups of three or more shots that contain more shots than can be seen. When that happens and there is no evidence that missing shots went elsewhere, the shooter will be given the benefit of the doubt and credited with the missing shots. If the missing shots could be in either of two scoring rings, the shooter will be credited with the higher value.

USAS 6.3.5B

In USA Shooting sanctioned competitions, shots that have been plugged will be marked with a plus (+) and the score of the shot is scored as the higher value, and a minus (-) and the score of the

shot is scored as the lower value. Both scorers will mark and initial the plugged shot and if a third opinion is required, that person will also mark and initial the shot.

USAS 6.3.5C

When paper targets are used, without the Orion system, scoring gauges must be used.

6.3.5.1 25m Center Fire Pistol

Measuring edge diameter:	9.65 mm (+0.05/ -0.00 mm)
Edge thickness:	0.50 mm approximately
Spindle diameter:	According to the caliber being used
Spindle length:	10 mm to 15 mm
To be used for:	Center Fire Pistol Events

6.3.5.2 300m Rifle

Measuring edge diameter:	8.00 mm (+ 0.05/- 0.00 mm)
Edge thickness:	0.50 mm approximately
Spindle diameter:	According to the caliber being used
Spindle length:	10 mm to 15 mm
To be used for:	300m Rifle events

6.3.5.3 Small bore Rifle and Pistol 5.6 mm (.22")

Measuring edge diameter:	5.60 mm (+0.05/ -0.00 mm)
Edge thickness:	0.50 mm approximately
Spindle diameter:	5.00 mm (+0.05 mm)
Spindle length:	10 mm to 15 mm
To be used for:	All events using 5.6 mm

USAS 50 Foot Rifle Target Outward Scoring Gauge

6.3.5.3A

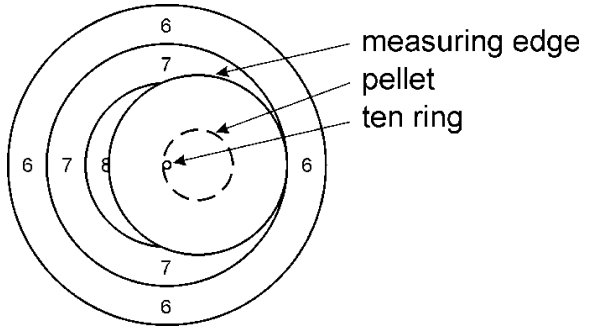
Measuring edge diameter:	9.03 mm (+0.00/- 0.05mm)
Edge thickness:	0.50 approximately
Spindle diameter:	5.25 mm to 5.30 mm
Spindle length:	10 mm to 15 mm
May be used for scoring the 50 Fott Rifle Target rings 6 thru 10	

6.3.5.4 4.5 mm INWARD Gauges

Measuring edge diameter:	4.50 mm (+ 0.05/-0.00 mm)
Edge thickness:	0.50 mm approximately
Spindle diameter:	Measuring edge diameter minus 0.02 mm (4.48 mm)
Spindle length:	10 mm to 15 mm
To be used for:	Measuring the 1 and 2 rings of Air Rifle and 10m Running Targets. Measuring the 1 Ring of Air Pistol Targets.

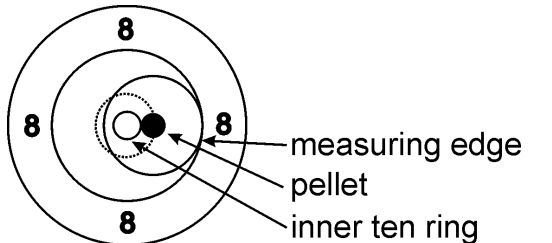
6.3.5.5

Use of the Air Pistol OUTWARD scoring gauge for scoring Air Rifle Inner tens

	<p>If the measuring edge of an Air Pistol Outward scoring gauge does not go outside the 7 ring of an air rifle target, then the shot value is an inner ten.</p>
--	---

6.3.5.6

Use of the Air Pistol INNER TEN OUTWARD scoring gauge for scoring Air Pistol Inner tens

Measuring edge diameter:	18.0 mm (+0.00/ -0.05 mm)
Edge thickness:	0.50 mm approximately
Spindle diameter:	4.60 mm (+0.05 mm)
Spindle length:	10 mm to 15 mm
To be used for:	Measuring the inner tens of Air Pistol
	<p>If the measuring edge of an Air Pistol Inner Ten Outward scoring gauge does not go outside the 9 ring of an air pistol target then the shot value is an inner ten.</p>

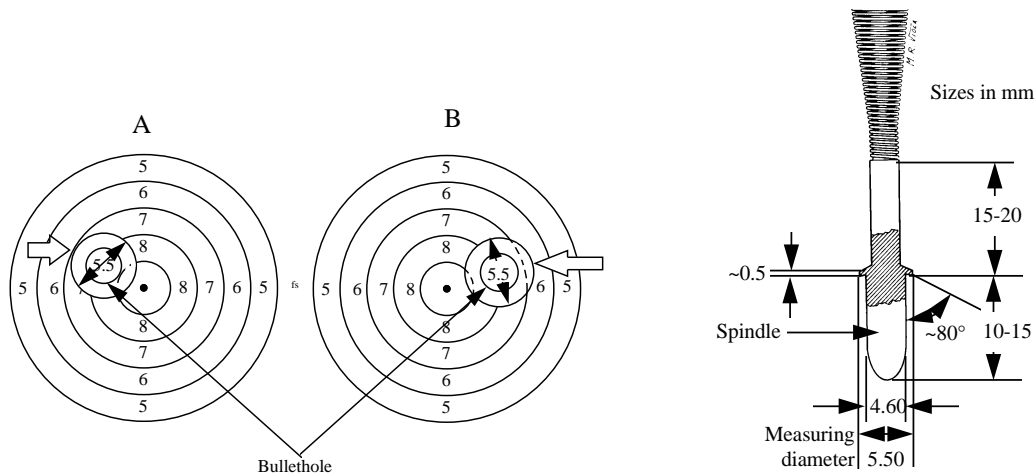
6.3.5.7

4.5 mm OUTWARD Gauge for 10m Air Rifle and 10m Running Target

Measuring edge diameter:	5.50 mm (+0.00/ -0.05 mm)
Edge thickness:	0.50 mm approximately
Spindle diameter:	4.60 mm (+0.05 mm)
Spindle length:	10 mm to 15 mm
To be used for:	10m Air Rifle and 10m Running Target, rings 3 to 10. Also the Running Target Inner Ten.

6.3.5.8

Use of the Air Rifle OUTWARD scoring gauge



The “A” illustration depicts a doubtful shot hole. The outward scoring gauge shows the outside edge of the flange lying within the 7 ring; therefore the shot is scored a 9.

The “B” illustration depicts a doubtful shot hole. The outward scoring gauge shows the outside edge of the flange lying over the 7 ring and into the 6 zone; therefore the shot is an 8.

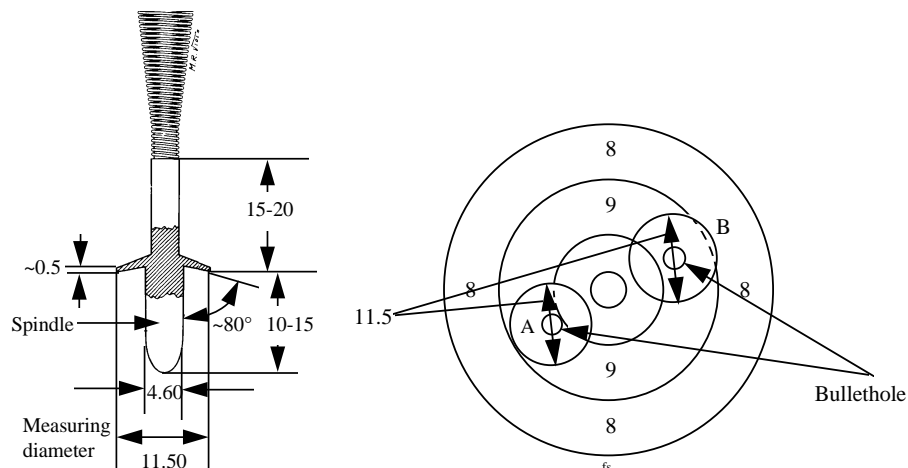
6.3.5.9

4.5 mm OUTWARD Gauge for 10m Air Pistol

Measuring edge diameter:	11.50 mm (+0.00/ -0.05 mm)
Edge thickness:	0.50 mm approximately
Spindle diameter:	4.60 mm (+0.05 mm)
Spindle length:	10mm to 15 mm
To be used for:	10m Air Pistol, rings 2 to 10.

6.3.5.10

Use of Air Pistol OUTWARD scoring gauge



The “A” illustration depicts a doubtful shot hole with the outward scoring gauge in place. The outside edge of the flange is within the 9 ring; therefore the shot is scored a 10.

The “B” illustration depicts a doubtful shot hole with the outward scoring gauge in place. The outside edge of the flange is lying over the 9 ring line and into the 8 zone; therefore the shot is scored a 9.

6.3.5.11

Skid Gauge

The Skid Gauge is of flat, transparent plastic with two parallel lines marked on one side.

- For 25m Center Fire Pistol (9.65 mm) the lines are 11.00 mm (+0.05 mm-0.00 mm) apart measured between the inside edges; and
- For Small Bore Competitions (5.6 mm) the lines are 7.00 mm (+0.05 mm – 0.00 mm) apart measured between the inside edges. (To be used for 25m 5.6 mm pistol events).

6.3.6

Target Control Systems

For Rifle and Pistol events, target marking and control systems must be used to facilitate the conduct of competitions.

6.3.6.1

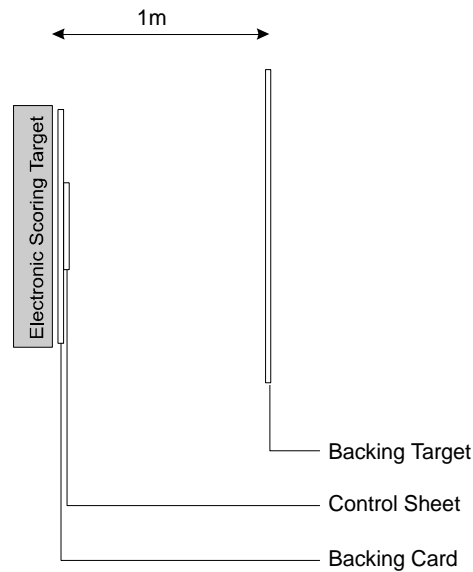
Paper Sighting Targets

Sighting targets must be marked clearly with a black diagonal stripe in the upper right hand corner of the target. The stripe must be clearly visible to the naked eye at the appropriate distance under normal light conditions (except for the 25m Rapid Fire Pistol Target and the 50m Running Target).

6.3.6.2

EST Target Control Systems

Backing Targets, Backing Cards and Control Sheets are used as control systems for EST (see diagram).



6.3.6.3 Backing Targets for 50m and 300m ESTs

To locate cross-shots, Backing Targets must, if possible, be placed 0.5 m – 1.0 m behind the targets. The exact distance between the target and the backing target must be measured and recorded and, as far as possible, be the same for all targets.

6.3.6.4 Backing Targets for 25m ESTs

- Backing Targets must be used for all 25m Pistol events to assist in the identification of shots that may have missed the targets;
- Backing Targets must, at a minimum, cover the entire width and height of the 25 meter frames (5 targets). They should be located a uniform distance of one (1) meter behind the competition targets. They must be continuous, or on adjoining frames, without any spaces between them, to register any shots between competition targets;
- Backing Targets for 25m ESTs must be made of non-reflecting paper of a neutral color similar to the color of the target; and
- For 25m events, new Backing Targets must be provided for each athlete for each stage.

6.3.6.5 Control Sheets for 25m ESTs

The area immediately behind the ESTs must be covered by Control Sheets. New Control Sheets must be provided for each athlete for each stage.

If the location of any shot hole is outside of the Control Sheet, the geometric relation between the shot holes on the Control Sheet and the Backing Card must be noted before the Control Sheet is removed.

6.3.6.6 Backing Cards and Control Sheets for 50m and 300m ESTs

A Backing Card must be affixed to the rear of all 50m and 300m

ESTs. Smaller, replaceable Control Sheets should be affixed to the Backing Cards. The Control Sheets or Backing Cards must be renewed and collected after each relay. If the location of any shot hole is outside of the Control Sheet, the geometric relation between the shot holes on the Control Sheet and the Backing Card must be noted before the Control Sheet is removed.

(USA Shooting Clarification: In USA Shooting sanctioned competitions, backing cards and control sheets may or may not be used according to host range dimensions and the Competition Director's requirements.)

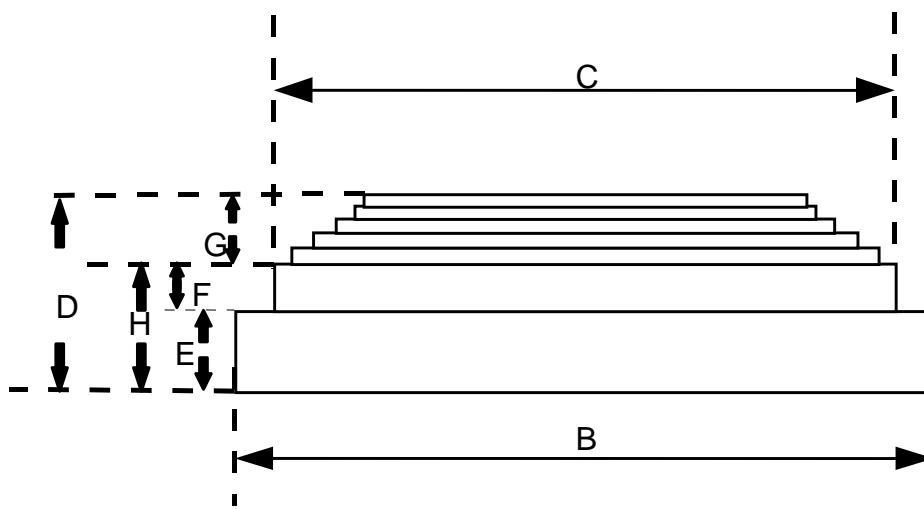
6.3.7 Clay Targets for Shotgun Events

Diameter:	110 mm (± 1 mm).
Height:	25 mm to 26 mm.
Weight:	105 g (± 5 g).

The color of the targets may be all black, all white, all yellow, all orange; or the full dome may be painted white, yellow, or orange; or a ring may be painted around the dome in white, yellow or orange.

The clay target color must be specified in the program of each ISSF Championship with Shotgun events. The target color must be clearly visible against the range background under all normal light conditions. The same color targets must be used for training.

6.3.7.1 General Specifications for Clay Targets



A-Weight	105 g ± 5 g	E-Base Height	11 mm ± 1 mm
B-Base \emptyset	110 mm ± 1 mm	F-Rotating Ring Height	7 mm ± 1 mm
C-Rotating Ring \emptyset	95 mm – 98 mm	G-Dome Height*	8 mm ± 1 mm
D-Total Height	25 mm – 26 mm	H-Base & Ring Height	18 mm ± 1 mm

“G” The actual shape of the target dome is to be engineered to provide the best aerodynamics design and flight stability.

“Breakability” – targets must be capable of withstanding the force of the trap to be thrown to a distance of 80 m and to be easily breakable when hit with normal ISSF Skeet and Trap cartridges within normal shooting distances.

6.3.7.2 “Flash” Targets

USAS 6.3.7.2A

In USA Shooting sanctioned competitions, “Flash” targets are not required for Finals for post Finals events.

- In Shotgun Finals, “Flash” targets containing red non-toxic powder must be used.
- In Shotgun Qualification Rounds and Shoot-offs before Finals, “Flash” targets containing ISSF-approved non-toxic, colored powder may be used.
- If a target of the same external color, but containing the incorrect colored powder, is inadvertently thrown, the results of any shot at that target must be recorded.
- In all cases where “Flash” targets are used, the “Flash” targets must comply with Rule 6.3.7.1.

6.3.7.3 Clay Target Testing

An ISSF-approved clay target testing device will be used to test the breakability of clay targets. Standards for the use of such devices will be established by the ISSF Shotgun and Technical Committees.

6.4 RANGES AND OTHER FACILITIES

6.4.1 General Requirements

6.4.1.1 Requirements for minimum range installations for ISSF Championships are given in the ISSF General Regulations, 3.5.1. While those requirements are the minimum, the practical requirement for Shotgun World Championships and large World Cups is that five (5) ranges are recommended. For large Rifle/Pistol World Cups, 80 10m and 80 50m firing points are recommended.

6.4.1.2 A separate Rifle/Pistol Finals Range is required for World Championships and the Olympic Games. The ISSF recommends that a separate Finals Range be available for World Cups.

6.4.1.3 Continental Confederations must establish minimum range requirements for Continental Championships.

6.4.1.4 Trap and Skeet ranges may be combined. Trap ranges must be convertible to Double Trap unless separate Double Trap ranges are provided. If possible, Trap, Double Trap and Skeet Finals fields should be on the same range.

6.4.1.5 The area used by athletes, officials and spectators on Rifle and Pistol ranges must be covered to provide protection from sun, wind and rain. This protection must not give a significant advantage to any firing point or part of the range.

6.4.1.6 10m airgun ranges must be installed indoors.

6.4.1.7 The ISSF recommends that all new ranges be accessible to disabled persons. Existing ranges should be adapted to make them accessible to disabled persons.

- 6.4.1.8** It is recommended that ranges used for World Championships and Olympic Games be completed at least one (1) year in advance.
- 6.4.1.9** Electronic target systems (EST) of makes and models approved by the ISSF must be used for Rifle and Pistol Eliminations, Qualifications and Finals in the Olympic Games, ISSF World Championships and in ISSF World Cups.
- 6.4.1.10** Technical Delegates are responsible for examining the ranges and other facilities to ensure that they comply with ISSF rules and are prepared for the conduct of the Championship. Technical Delegates should use the ***Checklist for Technical Delegates*** to examine the organization, ranges and facilities (available from ISSF Headquarters).
- 6.4.1.11** Technical Delegate(s) may approve small deviations from specifications in ISSF Rules that do not conflict with the intent and spirit of ISSF Rules, except that no deviations in shooting distances or target specifications are allowed.

6.4.2 General and Administrative Facilities

The following facilities must be provided on or near the shooting ranges:

- Athletes' areas of sufficient size where athletes may relax, change clothes etc.;
- Changing areas should be provided for athletes near the Finals and qualification ranges;
- Meeting rooms for use by ISSF officials, committees and Juries;
- Rooms for offices, target scoring, production of results and storage of targets and related material, etc.;
- One Main Scoreboard for posting official results and notices, and smaller Range Scoreboards on each range for posting preliminary results; a scoreboard should also be placed in the athletes rest area;
- An area for secure arms storage;
- An arms and equipment control area, with changing rooms;
- A gunsmith's shop with suitable work benches and vices;
- Free facilities for firearms and equipment manufacturers to service their products;
- An area for commercial displays should be available; a fee may be charged for such displays;
- A restaurant or facilities for food service and refreshments;
- Adequate toilet facilities;
- Wireless Internet and email communication services; if possible, separate internet services should be provided for operations (results services, ISSF-TV, administration) and for

the public;

- An area for victory ceremonies;
- Facilities for media, radio and television representatives;
- Appropriate medical facilities and facilities for Anti-Doping Control, with toilets; and
- Parking facilities.

6.4.3 **General Range Standards for 300m, 50m, 25m and 10m Rifle and Pistol Ranges**

USAS 6.4.3A **And 300 yard, 200 yard, 100 yard, 50 yard, 25 yard, 50 foot and 5 meter rifle and pistol ranges**

6.4.3.1 New **outdoor ranges** should be constructed in such a way that the sun is behind the athlete as much as possible during the competition day. Care must be exercised that there are no shadows on the targets.

6.4.3.2 Ranges must have a line of targets and a firing line. The firing line must be parallel to the line of targets.

6.4.3.3 The design and construction of the range may provide the following features:

- The range may, if necessary, be surrounded by walls for safety reasons;
- Protection against the accidental exit of unaimed shots from the range may be provided by transverse baffle systems between the firing line and the line of targets;
- 50m and 25m ranges should, whenever possible, be outdoor ranges, but may exceptionally be indoor or closed ranges if required by legal or climatic conditions;
- 300m ranges should have at least 290 m open to the sky;
- 50m ranges should have at least 45 m open to the sky;
- 25m ranges should have at least 12.5 m open to the sky; and
- Finals ranges may be indoor or outdoor ranges.

6.4.3.4 There must be sufficient space behind the firing points for the range officials and the Jury to perform their duties. There must also be a space provided for **spectators**. This area must be separated from the area for athletes and officials by a suitable barrier located at least 5 m behind the firing line.

USAS 6.4.3.4A Spectator space is optional for USA Shooting sanctioned competitions.

6.4.3.5 Each range must be equipped with a large clock at each end of the hall on which the time can clearly be seen by athletes and officials. The Finals range preparation area must also have a clock. Range clocks must be synchronized with results computers to show the same time. Rifle and Pistol Finals ranges must have a

count-down clock that shows the time remaining for each shot.

USAS 6.4.3.5A

At least one clock is required on the range for USA Shooting sanctioned competitions.

6.4.3.6

Target frames or mechanisms must be marked with numbers (starting from the left) corresponding to their firing point number. The numbers must be large enough to easily be seen under normal shooting conditions with normal vision. The numbers should be of alternating and contrasting colors (required for 300m target numbers) and must be clearly visible throughout the competition.

On 25m targets, each group of five (5) targets must be lettered, starting with the "A" group on the left. 25m targets must also be individually numbered using numbers 11-20 for the targets in groups A and B, numbers 21-30 for groups C and D, etc.

6.4.4

Wind Flags for 50m Ranges and 300m Rifle Ranges

6.4.4.1

Rectangular wind flags, which indicate air movements on the range, should be made of cotton type or polyester material weighing approximately 150 g/m². Wind flag height must correspond with the central area of the bullets' flight paths without interfering with the bullets' flight paths or athletes' views of the targets. The color of the wind flags must contrast with the background. Dual color or striped wind flags are permitted and recommended.

6.4.4.2

Wind Flag Dimensions and Locations

Ranges	Distances	Size of Flag
50m Ranges	10m and 30m	50 mm x 400 mm
300m Ranges	50m	50 mm x 400 mm
	100m and 200m	200 mm x 750 mm

6.4.4.3

On 50m ranges, wind flags are to be placed at distances from the firing line, on imaginary lines separating each firing point and its corresponding target from the adjacent points and targets. Flags must be placed on the athlete's side of any safety baffle supports.

USAS 6.4.4.3A

On 50 & 100 yard ranges the flags will be placed as on the 50 meter range plus a row of flags added at 60 yards for the 100 yard range.

6.4.4.4

If a 50m range is also used as a 10m enclosed range the 10m wind flags must be placed far enough down range so that they give an accurate indication of the wind.

6.4.4.5

On 300m ranges, wind flags are to be placed at the above distances from the firing line on imaginary lines separating every fourth (4th) firing point and its corresponding target from the next point and target. Flags must be placed on the athlete's side of any safety baffle supports.

USAS 6.4.4.5A

On 300 yard ranges wind flags will be placed as prescribed by rule 6.4.4.5.

USAS 6.4.4.5B

On 200 yard ranges wind flags measuring 200mm x 1500 mm are to be placed at distances of 50 yards, 100 yards from the firing line on the imaginary lines separating every fourth firing point and its corresponding target from the next point and target. Flags must be placed on the shooters' side of any safety baffles or wind screens.

6.4.4.6 Athletes must check the wind flags before the Preparation and Sighting Time starts to be sure they do not obscure their targets. Only Range Officers or Jury Members may reposition wind flags.

6.4.4.7 Private wind indicators and the repositioning of wind flags by athletes are prohibited.

6.4.4.8 Wind flags are not permitted for 50m Running Target.

6.4.4.9 Shooting Distances

6.4.4.10 Shooting distances must be measured from the firing line to the target face.

6.4.4.11 Shooting distances must be as exact as possible, subject to the following allowable variations.

300m range	+/- 1.00 m
50m range	+/- 0.20 m
25m range	+/- 0.10 m
10m range	+/- 0.05 m
50m running target range	+/- 0.20 m
10m running target range	+/- 0.05 m
USAS 6.4.4.11A	
300 yard range	+/- 1.00 yd
200 yard range	+/- 24 in
100 yard range	+/- 12 in
50 yard range	+/- 6 in
25 yard range	+/- 3 in
50 foot range	+/- 2 in
5 meter range	+/- 0.03m

6.4.4.12 In combined 50m rifle, pistol and running target ranges, the allowable variation can be increased to +2.50 m for running target. The opening must be accordingly adjusted.

6.4.4.13 The firing line must be clearly marked. The range distance must be measured from the target line to the edge of the firing line nearest to the athlete. The athlete's foot or, in the prone position the athlete's elbow may not be placed on or in front of the firing line.

6.4.5 Target Center Locations

Target center locations must be measured to the center of the Ten Ring.

6.4.5.1 Height of Target Centers

Target centers must be within the following heights when measured from the level of the firing point floor:

Range	Standard Height	Variation Allowable
300m	3.00 m	+/- 4.00 m
50m	0.75 m	+/- 0.50 m
25m	1.40 m	+ 0.10 m / - 0.20 m
10m	1.40 m	+/- 0.05 m
50m Running Target	1.40 m	+/- 0.20 m
10m Running Target	1.40 m	+/- 0.05 m

All target centers within a group of targets or range must have the same height (± 1 cm).

USAS 6.4.5.1A

300 yard ranges	3.00 yd	+/- 4.00 yd
200 yard ranges	2.00 yd	+/- 2.50 yd
100 yard ranges	1.00 yd	+/- 0.50 yd
50 yard ranges	0.75 yd	+/- 0.50 yd
25 yard ranges	1.40 yd	+/- 0.10 yd

Multiple bull's-eye targets are measured to the center bulls-eye. USA Shooting sanctioned competitions may be conducted on ranges that do not comply with the ± 1.0 cm variation of target center height.

USAS 6.4.5.1B

50 foot ranges – Height must be adjustable for rifle.

6.4.5.2

Horizontal Variations for Target Centers on 300m, 50m and 10m Rifle and Pistol Ranges

USAS 6.4.5.2A

And 300 yard, 200 yard, 100 yard, 50 yard, 25 yard, 50 foot and 5 meter rifle and pistol ranges

Target centers at 300m, 50m, and 10m must be oriented on the center of the corresponding firing point. Horizontal deviations from a center line drawn perpendicular (90 degrees) to the center of the firing point are:

Range	Maximum variation from center in either direction
300m	6.00 m
50m	0.75 m
10m	0.25 m

USAS 6.4.5.2B

300 Yard Rifle	6.00 yd
200 Yard Rifle	4.00 yd
100 Yard Rifle	50 in
50 Yard Rifle/Pistol	25 in
50 Foot Rifle/Pistol	15 in
5 Meter Rifle	0.1m

6.4.5.3 Horizontal Variations for Firing Points on 50m and 10m Running Target and 25m Pistol Ranges

The center of the firing points must be located as follows:

- For Rapid Fire ranges, according to the center of the group of five (5);
- For Running Target ranges, according to the center of the opening; and
- The center of the firing point must be oriented on the center of the corresponding target or opening. Maximum horizontal deviations from a centerline drawn perpendicular (90 degrees) to the center of the target or opening are:

Range	Maximum variation in either direction
25m	0.75 m
50m Running Target	2.00 m
10m Running Target	0.40 m
USAS 6.4.5.3A	
25 Yard Range	0.75 yd

6.4.6 General Firing Point Standards for Rifle and Pistol Ranges

The firing point must be stable, rigid and constructed so that it does not vibrate or move. From the firing line to approximately 1.20 m rearward, the firing point must be level in all directions. The remainder of the firing point must either be level or may slope to the rear with a few centimeters drop.

USAS 6.4.6A And 300 yard, 200 yard, 100 yard, 50 yard, 50 foot and 5 meter ranges

6.4.6.1 If shooting is done from tables, the tables must be approximately 2.20 m long and 0.8 m to 1.00 m wide, rigid, stable and removable. **Shooting tables** may slope to the rear a maximum of 10 cm.

6.4.6.2 Firing Point Equipment. Firing points must be equipped with:

- A bench or stand, 0.70 m – 1.00 m high;
- A mat for shooting in the prone and kneeling positions. The front portion of the mat must be of a compressible material not more than 50 mm thick, and approximately 50 cm x 80 cm in size and measuring not less than 10 mm when compressed with the measuring device used to measure the thickness of rifle clothing. The remainder of the mat must have a maximum thickness of 50 mm and a minimum thickness of 2 mm. The minimum overall size must be 80 cm x 200 cm. An alternative of two mats is permitted, one thick and one thin, but together they must not exceed the dimensions indicated. The use of private mats is prohibited;
- A chair or stool for the athlete on Qualification ranges; no chairs or stools for athletes may be placed on or near the

firing points on Finals ranges;

- On new ranges, wind screens forward of the firing line are not recommended, but when necessary to ensure that wind conditions are as equal as possible throughout the range, wind screens may be used;
- If paper targets are used, a desk, chair and spotting telescope for Register Keeper may be provided;
- If paper targets are used, a scoreboard, approximately 50 cm x 50 cm, on which the Register Keeper can post unofficial scores for spectators. The scoreboard should be located so that it may easily be seen by spectators, but does not obscure their views of the athletes; and
- When it is necessary to install dividing screens on the 300m firing line, they should be made of transparent material on a light frame. Screens should extend at least 50 cm forward of the firing line, and be approximately 2.00 m high.

USAS 6.4.6.2A

In USA Shooting sanctioned competitions, shooters may provide and use their own stands and personal prone mats and stands, conforming to the ISSF specifications.

USAS 6.4.6.2B

In USA Shooting sanctioned competitions, register keepers, register keeper desk and chair and scoreboard are not required.

6.4.7

Firing Point Standards for 300m Ranges

USAS 6.4.7A

And 300 yard, 200 yard and 100 yard ranges

The size of the firing point must not be less than 1.60 m wide x 2.50 m long. The width of the firing point may be reduced only if any dividing screens are constructed so that an athlete in the prone position can place his left leg in an adjacent firing point without disturbing that athlete.

6.4.8

Firing Point Standards for 50m Ranges

USAS 6.4.8A

And 50 yard, 50 foot ranges

- The firing point must be a minimum of 1.25m wide x 2.50 m in length and
- If the firing point is also used for 300m shooting, the firing point must be a minimum of 1.60 m wide.

6.4.9

Range and Firing Point Standards for 10m Ranges

- The firing point must be a minimum of 1.00 m wide;
- The nearest edge of the bench or stand must be placed 10 cm forward of the 10m Firing line; and
- 10m ranges that are not equipped with ESTs must be equipped with electric-mechanical target carriers or changers.

USAS 6.4.9A

USA Shooting sanctioned competitions may be shot on ranges with electric or manual target carriers or fixed multiple bull targets adjustable for height.

6.4.10 Range and Firing Point Standards for 25m Pistol Ranges

6.4.10.1 Roofs and screens of 25m ranges must provide the athlete with adequate shelter from wind, rain, sun and ejected cartridge cases.

6.4.10.2 The firing point must be roofed or covered at a minimum height of 2.20 meter above the level of the firing point.

6.4.10.3 In 25m events, the targets must be placed in groups of five (5), for the Rapid Fire Pistol event; and in groups of four (4), three (3) or exceptionally five (5) for the 25m Pistol, 25m Center Fire Pistol and 25m Standard Pistol events.

6.4.10.4 25m ranges must be divided into sections that are composed of two (2) groups of five (5) targets (each being one bay).

6.4.10.5 25m ranges may be either open or divided by protected walkways. In open ranges, target officers move from the firing line area to the targets. Protected walkways, if used, must allow range staff to safely move to and from the target line. When protected walkways are used, a secure safety control system must be available.

6.4.10.6 Range Sections should be capable of being operated centrally and of being operated independently.

6.4.10.7 Firing point or shooting station dimensions must be:

Event	Width	Depth
25m Rapid Fire Pistol	1.50 m	1.50 m
25m Pistol 25m, Center Fire Pistol 25m Standard Pistol	1.00 m	1.50 m

6.4.10.8 Firing points must be separated by small **transparent screens** that protect athletes from ejected cartridge cases and permit visibility of athletes by officials. The screens must be placed or hung next to the pistol locations and be large enough to prevent ejected cartridge cases from hitting other athletes. The screens must not obscure the officials and spectators views of the athletes. Note: The large screens that were required by previous rules and that are now installed in many ranges may continue to be used through 2014.

USAS 6.4.10.8A

In USA Shooting sanctioned competitions, screens always in place on host ranges may be used. If range updates are scheduled, it is recommended screens follow the rule above.

6.4.10.9 45 degree reference lines should be placed on range walls or section dividers to the left or right of the firing points

USAS 6.4.10.9A

Not required in USA Shooting sanctioned competitions.

6.4.10.10 Each firing point must be provided with the following equipment:

- A removable or adjustable bench or table, approximately 0.50 m x 0.60 m in size and 0.70 m to 1.00 m high;

- A chair or stool for the athlete on Qualification ranges; no chairs or stools for athletes may be placed on or near the firing points on Finals ranges;
- For paper targets, a desk and chair for the Register Keeper; and
- For paper targets, a scoreboard, approximately 50cm x 50cm on which the first Register Keeper can post unofficial scores for spectators. The scoreboard should be located so that it may be easily seen by spectators, but does not obscure their view of the athletes.

USAS 6.4.10.10A In USA Shooting sanctioned competitions, register keepers, register keeper desk and chair and scoreboard are not required.

6.4.10.11 Function Firing Range. A specially designated and supervised function firing range, without targets, must be provided for athletes to test guns.

6.4.11 Standards for 25m Turning Target Installations

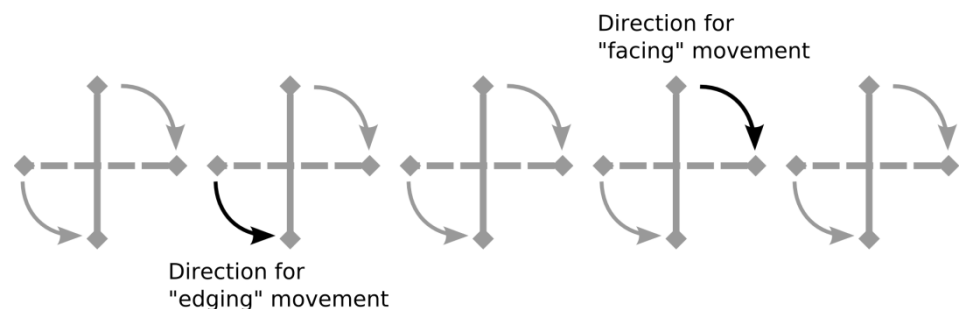
USAS 6.4.11A And for 25 yard and 50 foot ranges

Target frames for the 25m Rapid Fire Pistol event must be placed in groups of five (5), all at the same height (+1cm), all functioning simultaneously and all facing one firing point which is centered on the middle target of the group. The distance between target centers, axis to axis, in a group of five (5) must be 75 cm (+1cm).

6.4.11.1 Ranges must be equipped with target rotating or turning mechanisms that permit 90 degree (+/-10 degrees) turning of the targets on their vertical axis. In precision stages of 25m pistol events, stationary target frames may be used.

- The time for turning to face the athlete must not exceed 0.3 seconds;
- When the targets turn, there must be no visible vibration to distract the athlete; and
- When viewed from above, the targets must turn in a clockwise direction to the facing position and in a counterclockwise direction to the edge-on position.

Rotation of Turning Targets



- The targets in a section must all turn simultaneously which must be achieved by use of a mechanism which provides

efficient operation and accurate timing.

6.4.11.2 The automatic turning and timing device must ensure, accurate and consistent timing and that targets remain in the facing position for the specified period of time and that targets return to the edge-on position after the specified time (+0.2 seconds – 0.0 seconds).

- Timing must start the moment the targets begin to face and stop the moment they begin to turn away; and
- If the time is less than specified or greater than 0.2 sec, the Range Officer, acting either on his own or on instructions from a Jury Member, must stop the shooting to allow the timing mechanism to be regulated. In such cases, the Jury may postpone the start or restart of shooting.

6.4.11.3 **Facing times for 25m Pistol Qualification Events are:**

- 25m Rapid Fire Pistol: 8, 6 and 4 seconds;
- 25m Standard Pistol: 150, 20 and 10 seconds;
- 25m Pistol and 25m Center Fire Pistol Rapid Fire Stage: Facing for three (3) seconds for each shot, alternating with an edge-on face away time of seven (7) seconds (± 0.1 second); and
- For all facing times, a tolerance of + 0.2 seconds – 0.0 seconds is allowed.

USAS 6.4.11.2A In USA Shooting sanctioned PTO's, for all 25m events, two alternative methods may be used if turning or electronic scoring targets are not used/available:

- A shot timer, with audible start and stop signals, on a fixed target array may be used. The shot timer may sense shots either acoustically or via another method.
- Red/green start and stop lights, with a shot timer for determining overtime shots, on a fixed target array may be used.
- Any shots fired before the start signal or after the stop signal (plus a built – in 0.1 second buffer) will be scored as misses (for each shot fired in violation, a score of zero will be assessed). The shot timer must be capable of being set to the specified time limits for each event.
- If the shot timer senses more than one competitor's shots during a string, only one competitor at a time should fire in order to prevent false readings. If the shot timer senses shots from each competitor individually and accurately records shots from each competitor, multiple competitors may fire at the same time.
- This method may not be used for team selection.

6.4.11.4 If solid backing boards are used for the targets, the area corresponding to the eight (8) ring zone must either be cut out from the backing board or be made of cardboard to facilitate scoring.

6.4.12 Standards for 25m Electronic Scoring Target Systems

When electronic scoring targets are used, the timing equipment must be set to add a total of 0.3 seconds to each established scoring time. This includes the established firing time + 0.1 second (tolerance) plus an “after-time” of + 0.2 second. The after-time ensures that shots that would have been valid “skid-shots” on paper turning targets, are scored according to the same standard on electronic targets.

USAS 6.4.12A

When Electronic Scoring Targets are not used, ranges for 25m events must be equipped with a target rotating or turning mechanism which permits 90 degree (+/- 10 degrees) turning of the targets on their vertical axis. In precision stages of 25m pistol events, stationary target frames may be used.

6.4.13 Indoor Range Light Requirements (Lux)

Indoor Range for	General		Targets	
	Minimum	Recommended Minimum	Minimum	Recommended Minimum
10m	300	500	1500	1800
10m RT	300	500	1000	1000
25m	300	500	1500	2500
50m	300	500	1500	3000

Finals Ranges must have a minimum general lighting of 500 lux and minimum of 1000 lux on the firing line. For new ranges lighting of about 1500 lux on the firing line is recommended.

USAS 6.4.13A

At USA Shooting sanctioned competitions, the minimum illumination of 10m, 25m and 50m targets can be 1000 lux.

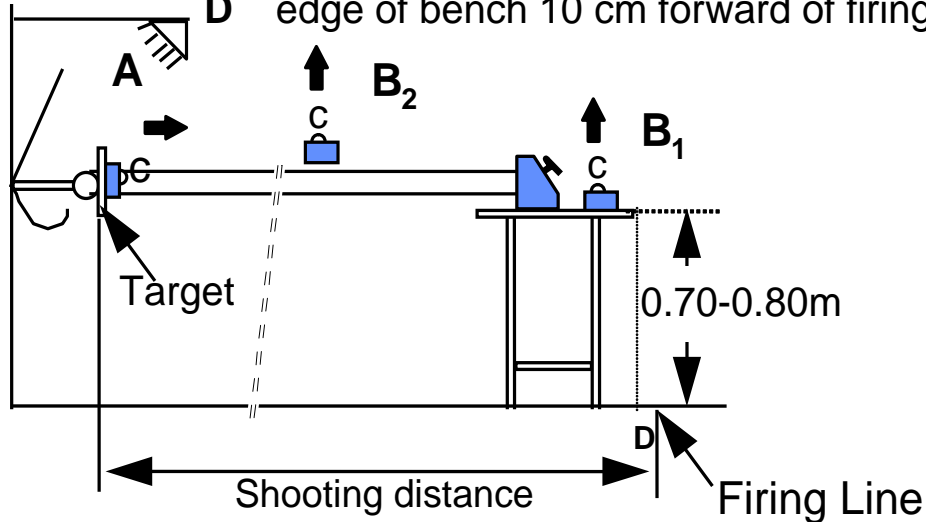
6.4.13.1 All indoor ranges must have artificial illumination providing the necessary amount of light without glare or distracting shadows on the targets or firing points. The background area behind the targets must be a non-reflecting, light even neutral color.

6.4.13.2 Measuring target illumination must be done with the measuring device held at the level of the target and pointed toward the firing point (A).

6.4.13.3 Measuring general range illumination must be done with the measuring device held at the firing point (B1) and midway between the firing point and the target line (B2) with the device directed toward the ceiling illumination.

Indoor Range Light Measuring

- A position of meter
- B₁₋₂ position of meter
- C photo cell of the light meter
- D edge of bench 10 cm forward of firing



6.4.14

Standards for Running Target Ranges

6.4.14.1

The range must be so arranged that the target runs horizontally in both directions across an open area with a constant speed. This area, where the target may be fired upon, is called the "opening." The movement of the target across the opening is called a "run."

6.4.14.2

The protective walls on both sides of the opening must be of such a height that no part of the target is visible until it reaches the opening. The edges must be marked with a color differing from that of the target.

6.4.14.3

Targets for 50m are placed on a trolley or target carrier constructed so that the two targets (one running to the left and one to the right) can be alternately shown. The trolley may run on rails, cable, or a similar system and must be moved by a driving unit which can be regulated accurately for speed. Targets for 10m are not changed for left and right runs.

6.4.14.4

Ranges must be constructed to prevent any person from being exposed to danger during shooting.

6.4.14.5

The shooting station must be arranged so that the athlete is visible to spectators. The shooting station must be protected from rain. The athlete should also be protected from sun and wind if this does not prevent spectators from seeing him.

6.4.14.6 The shooting station must be at least 1.00 m wide and aligned with a center line perpendicular to the target. The dry firing position must be located to the left of the shooting station. The shooting station must be screened on both sides with separating partitions so the athlete is not disturbed by dry firing or other extraneous influences. The separating partition between the firing point and the dry firing point must not be longer than to allow the dry firing athlete to watch the ready position of the competition athlete by observing the muzzle movement of his rifle.

6.4.14.7 In front of the athlete there must be a bench or a table 0.70 m – 1.00 m high.

6.4.14.8 Behind the athlete there must be a place for the Range Officer and at least one member of the Jury. The Register Keepers must be located either behind or at the side of the shooting station.

6.4.14.9 Run times for the targets are:

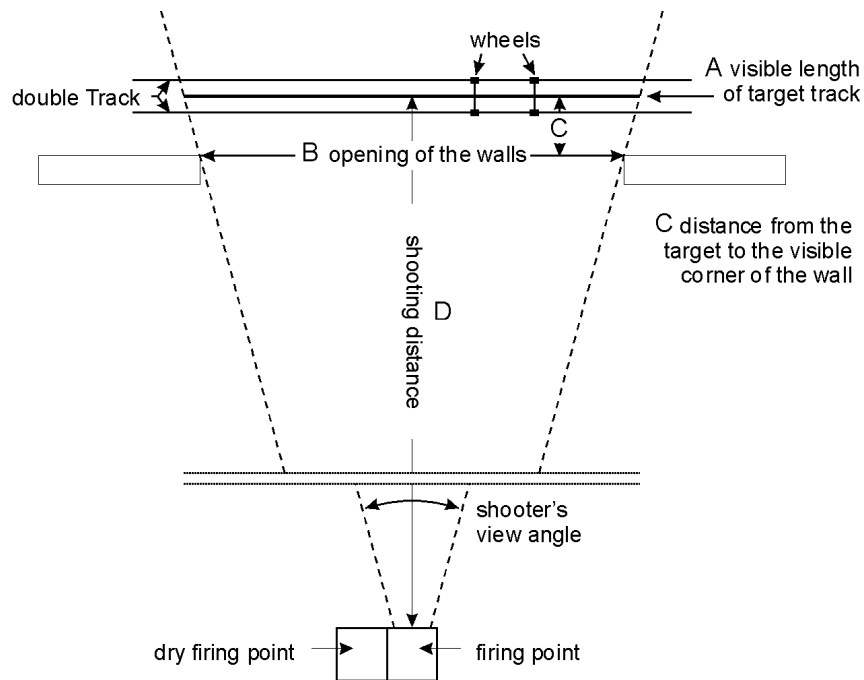
Slow runs:	5.0 seconds, + 0.2 seconds – 0.0 seconds
Fast runs:	2.5 seconds, + 0.1 seconds – 0.0 seconds

Timing should preferably be done by using an electronic timer that is started and stopped by switches mounted on the rail. If this method cannot be used, timing may be done by using three (3) stop watches operated by three different persons. The middle (median) of the three (3) times must be counted. If the run time is found to be less or more than that specified, range personnel or the Jury must regulate the time to within the specified run time standards. If the timer is built into the starting control, the timing must be examined by the Jury and sealed.

6.4.14.10 Timing must be electronically controlled and continually displayed for inspection by athletes and officials. Any deviation must be corrected immediately.

6.4.15

Running Target Ranges



A	visible length of target track
B	opening of the wall between visible corners
C	distance from the target to the visible corner of the wall
D	shooting distance
Formula for determining the opening: $B = A \times (D - C) / D$	
Example (50m): C= 0,20 m	$B = 10.00 \text{ m} \times (50.00 \text{ m} - 0.20 \text{ m}) / 50.00 \text{ m}$ $B = 10.00 \text{ m} \times 49.80 / 50.00 = 10.00 \text{ m} \times 0.996$ B = 9.96 m
Example (10m): C= 0,15 m	$B = 2.00 \text{ m} \times (10.00 \text{ m} - 0.15 \text{ m}) / 10.00 \text{ m}$ $B = 2.00 \text{ m} \times 9.85 / 10.00 = 2.00 \text{ m} \times 0.985$ B = 1.97 m

6.4.15.1

Special Standards for 50m Running Target Ranges

- There must be a vertical wall on both sides of the opening for the protection of operating personnel and scorers;
- There must be an embankment behind the opening. In front of the opening there must be a low wall to conceal and protect the target carrying mechanism; and
- The visible length of the target track must be: **10.00 m (+ 0.05 m / - 0.00 m)** as seen from the firing point. This must be considered when measuring the opening since the distance between the visible corner of the wall and the target increases the distance over which the target is visible.

6.4.15.2

Standards for 10m Running Target Ranges

- If target changing and shot evaluation is done behind the target carrier, there must be sufficient protection for operating personnel and scorers. The target changing and evaluation must be supervised by a member of the Jury;
- Behind the opening there must be a backstop to stop pellets and prevent ricochets. The target carrying mechanism must be protected by a front cover plate;
- The visible length of the target track must be: **2.00 m (+ 0.01 m / - 0.00 m)** as seen from the firing point. This must be considered when measuring the opening since the distance between the visible corner of the wall and the target increases the distance over which the target is visible;
- Two shooting stations may be installed and used alternately, to save time. In this case, the two firing points must not deviate from the standards; and
- When electronic scoring targets are used, the timing equipment must be set to give the nominal exposure times plus 0.1 second. This should ensure that the earlier appearance of the EST aiming mark is allowed for.

6.4.16

General Standards for Shotgun Ranges

6.4.16.1

Ranges in the Northern Hemisphere should be laid out so shooting is toward a North to North-Easterly direction. Ranges in the Southern Hemisphere should be laid out so shooting is toward a South to South-Easterly direction. These arrangements place the sun to the back of the athlete and on the target as much as possible.

6.4.16.2

Where necessary and feasible, new Shotgun Ranges must be constructed with a reasonably level shot fall zone that is free of obstacles to permit mechanical salvage and the recovery of lead pellets.

6.4.17

Standards for Trap Ranges

6.4.17.1

The Trap Pit

The trap pit must be constructed so that the upper surface of the roof is on the same elevation as the surface of the shooting stations. Interior measurements of the trap pit should be approximately 20 m from end to end, 2.00 m from front to rear, and 2.00 m to 2.10 m from the floor to the under side of the roof. These dimensions will allow freedom of movement for working personnel and sufficient storage space for targets (see Figures).

USAS 6.4.17.1A

Automatic Trap Houses

The trap house must be constructed so that the upper surface of the roof is on the same elevation as the surface of the shooting stations. Interior measurements of the trap pit should be approximately 4 m from end to end, 2 m from front to rear, and 2m

to 2.1 m from the floor to the under side of the roof. These dimensions will allow freedom of movement for working personnel and sufficient storage space for targets.

6.4.17.2 Distances Between Trap Pits

The distance between the center of machine 15 on Range A and the center of the machine one (1) on Range B must not be less than 35 m. For pre-existing ranges with a distance less than 35 m, as specified above, the Jury may reduce the throwing angles of the settings of machine 13 of Range A, and machine three (3) of Range B, if necessary, to prevent those targets from crossing over into the target flight path of the adjoining range and disturbing those athletes.

6.4.17.3 The Traps (Target Throwing Machines)

Each trap pit must have 15 traps attached to the front wall of the pit. The traps must be divided into five (5) groups of three (3). The center of each group must be indicated only by a painted mark on the top of the roof which must be positioned so that it must indicate the point above the center trap of each group at which a target must emerge when set to throw at zero (0) degrees. The distance between traps within each group must be equal, from 1.00 m to 1.10 m. The distance between the center traps of adjacent groups should be 3.00 m to 3.30 m. For existing ranges this may be 3.00 m to 6.00 m.

- In the case of use of machines with left-hand (clockwise) rotation of throwing arms the distance between the left side (viewed from behind) and the center machine in each group may be reduced to less than the prescribed 1.00 m to 1.10 m (see also Rule 6.4.20.1).
- The traps must be installed in the pit so that the pivot point of the throwing arm is 0.50 m (+/-0.10 m) below the top surface of the roof of the trap pit and set back 0.50 m (+/-0.10 m) from the front edge of the roof when the trap is set at the 2 m elevation. This is defined as the Throwing Point. Traps may be fully automatic (self loading and cocking), semiautomatic (hand loaded and self cocking), or manual (hand loaded and cocked). Each trap must be provided with a means of sealing its elevation angle, and main spring tension after these have been inspected and approved by the Jury. All traps must be provided with a means of making target throwing settings on a precise setting. All traps which are hand loaded must have two stops fixed to them. The stops are necessary to prevent accidental or deliberate movement of the target forward or backward on the throwing arm, thus changing the preset directions of the target. Each trap must have the elevation and angle sectors marked in increments of 10 degrees.

- The traps must be released by an electric-manual or electric-microphone system. The control system must be placed in such a position that the puller can clearly see and hear the call of the athlete. The release devices must guarantee equal distribution of targets to each athlete in a series of 25 targets. This distribution must be: ten (10) targets to the right, ten (10) targets to the left and five (5) targets to the center. With the correct distribution, in a series of 25 targets, each group of traps must throw two (2) targets from the left trap, two (2) from the right trap and one (1) from the center trap as the athletes progress from station 1 to 5. After every five (5) targets the selector index must be advanced one step.
- The five (5) shooting stations must be arranged on a straight line at a distance 15 m to the rear of the front edge of the trap pit. Each station must be prominently marked with a square 1.00 m x 1.00 m which is centered on a line perpendicular to the line of shooting stations and extending through the painted mark which indicates the zero (0) degree exit point above the middle machine in each group of three. A sixth station must be marked about 2.00 m to the rear and slightly to the left of Station 1 where athlete number 6 may take his position. All six (6) shooting stations must have a table or bench where the athletes may place their extra cartridges and other equipment. The stations must be firm and level in all directions. Each station must have at the front right and left hand corners a block of wood, piece of carpet or rubber about 15 cm square or round upon which the athlete may rest his gun.
- For Trap Finals, medium intensity colored lamps must be fitted to each microphone stand at a height of 40 cm to 50 cm. The lamp system must be constructed to indicate that on the shooting stations occupied by the first athlete each time during the round and immediately before he shoots, that the microphone is inoperable for a period of 15 sec. At the end of the 15 sec. pause, the Referee shall command "READY" and the number one athlete shall have a further 12 sec. preparation time to call for the target.

(USA Shooting Clarification: In USA Shooting sanctioned competitions, the lamps fitted to the microphones are not required. The referee will control the timing pause.)

- 3.00 m to 4.00 m behind the line of shooting stations a path must be provided for mandatory use by the athletes moving from station 5 to station 6. Athletes must not pass between the path and the shooting stations. A wire, rope or other suitable barrier is to be erected 7.00 m to 10.00 m behind the return walkway. No spectators are to be allowed within this barrier. The Referee and Jury Members are responsible for enforcing this rule. The shooting stations, referee's stand and operator's stand should have adequate protection from sun

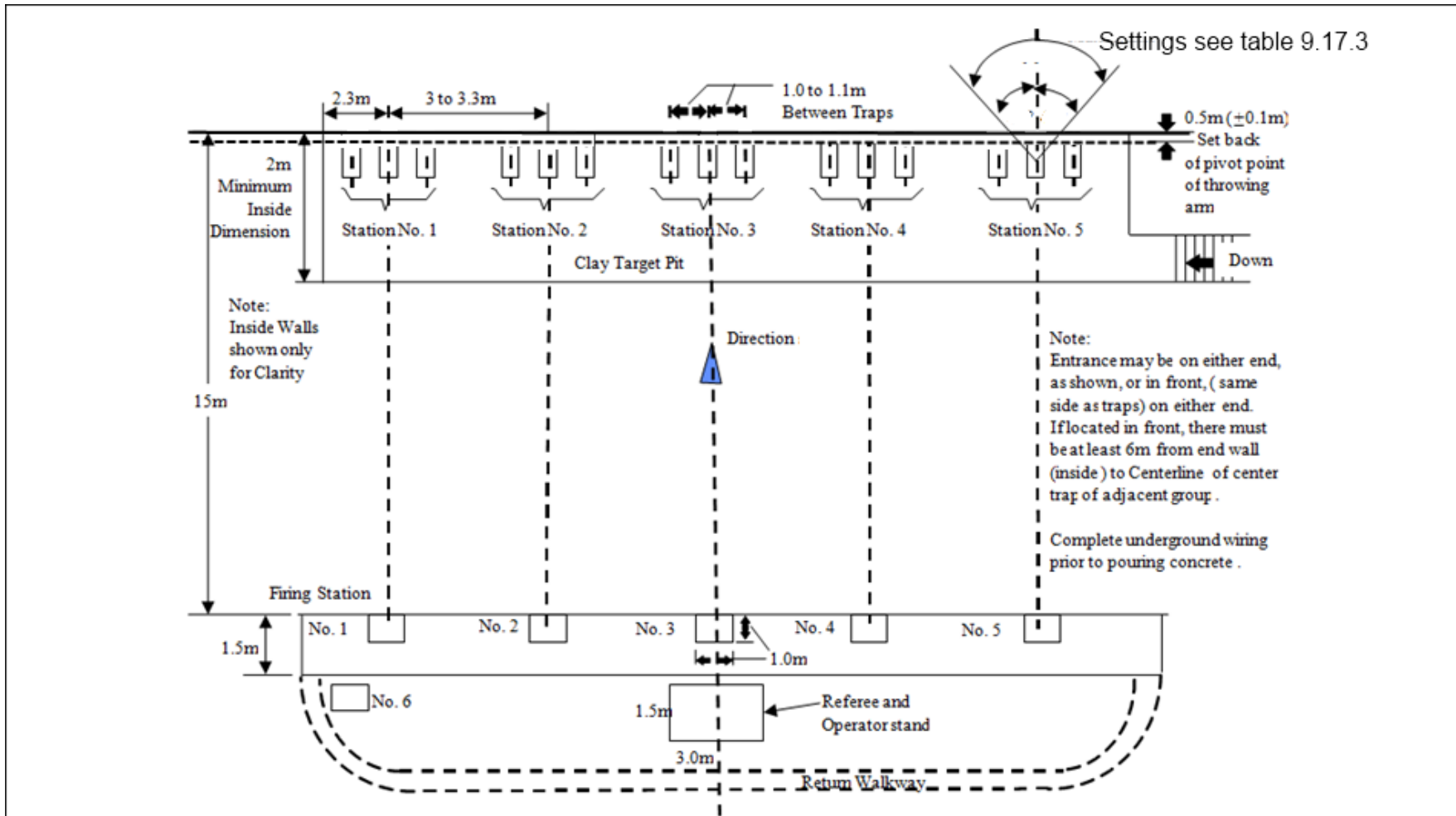
and rain, except that Finals ranges should, if possible, be open.

(USA Shooting Clarification: In USA Shooting sanctioned competitions a barrier behind the return walkway is not required. Referees and jury members are responsible for keeping spectators back and adequate distance from the shooters and firing line.)

USAS 6.4.17.3A Automatic Traps (clay target throwing machines):

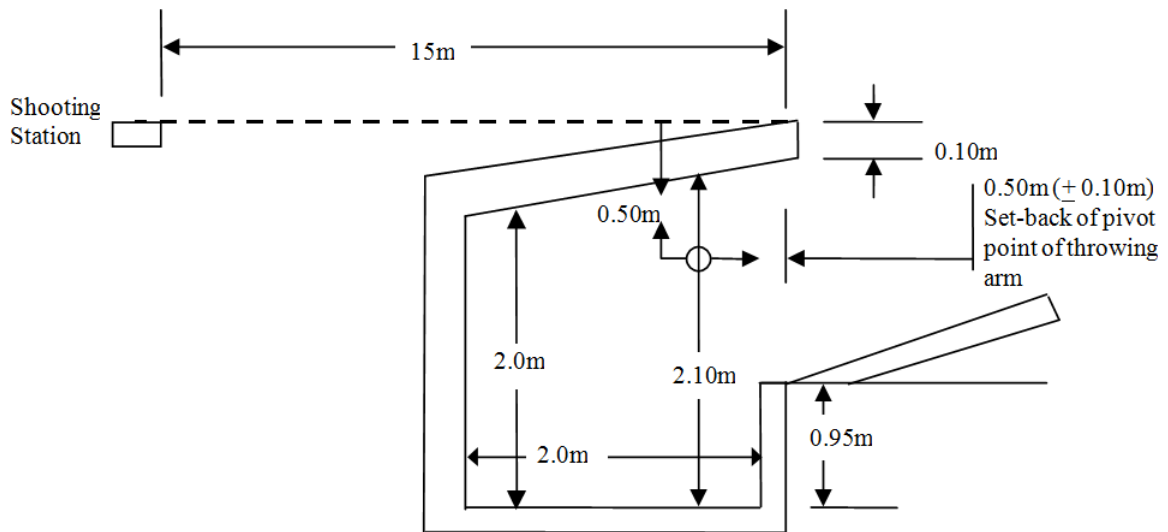
The trap house shall be equipped with a single multi-oscillating (vertical and horizontal directions) mechanical or electrically operated trap. It may be either manually or automatically loaded. Targets may be released manually or electrically. The trap will be so constricted and mounted that it will throw random, and continuously changing angles and elevations, targets within the vertical and horizontal limits stated in rule 6.4.21.2

6.4.17.3.1 Trap Range



6.4.18

Trap and Double Trap pit section



6.4.19

Standards for Double Trap Ranges

6.4.19.1 The Trap Pit

Trap ranges are most commonly adapted to Double Trap competition by using the center group of traps, numbers 7, 8 and 9, directly in front of Station 3. See Double Trap Rules.

6.4.19.2 Distances between Trap Pits

6.4.19.2.1 See Rule 6.4.18.2 when Trap pits are used.

6.4.19.2.2 When separate Double Trap pits are constructed, see also Rule 6.4.18.2. The distance from the center machine on one field to the center machine on the adjoining field should not be less than 35.00 m. (The angles of targets in Double Trap are not so wide as in Trap therefore reductions are not needed.)

6.4.19.2.3 The Traps (target throwing machines)

Each Double Trap pit must have three (3) Traps attached to the front wall of the pit. The zero (0) degree exit point of the center trap of the group must be indicated only by a painted mark on the top side of the pit roof. The distance between traps within the group must be equal, from 1.00 m to 1.10 m (see Rule 6.4.18.3). Traps number 1 and number 3 should be a minimum of 1.50 m from the end walls.

- The traps must be installed in the pit so that the pivot point of the throwing arm is 0.50 m (+/-0.10 m) below the top surface of the roof of the trap house and set back 0.50 m (+/-0.10 m) from the front edge of the roof when the trap is set at the 2.00 m elevation (see Figures). Traps may be fully automatic (self loading and cocking), semiautomatic (hand loaded and self cocking), or manual (hand loaded and cocked). Each trap must be provided with a means of sealing its elevation, angle, and main spring tension after these have been inspected and approved by the Jury. All traps must be provided with a means of allowing target throwing on a

precise setting. All traps which are hand loaded must have two stops fixed to them. The stops are necessary to prevent accidental or deliberate movement of the target forward or backward on the throwing arm, thus changing the preset directions of the target. Each trap must have the elevation and angle sectors marked in increments of 10 degrees.

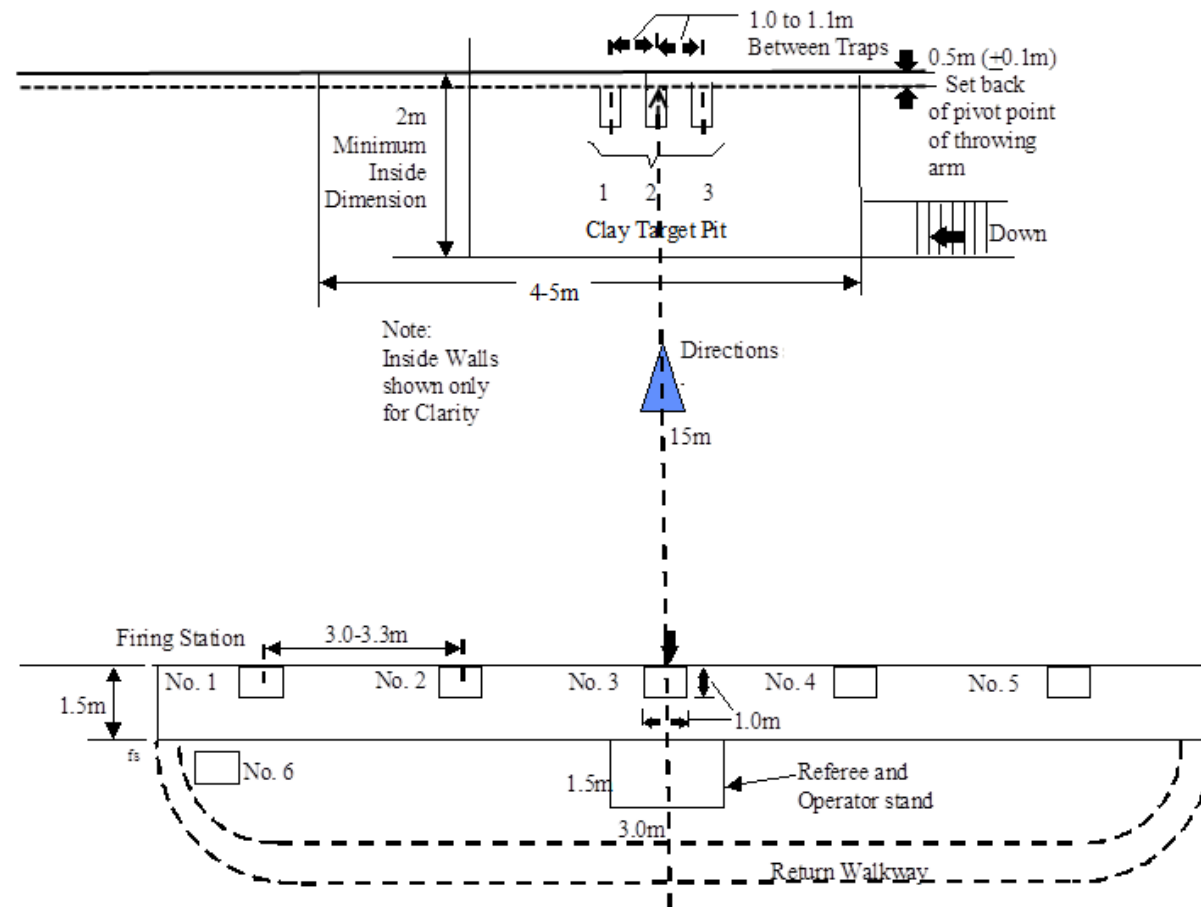
- The traps must be released by an electric-manual or electric-microphone system. If a manual control system is used it must be placed in such a position that the puller can clearly see and hear the call of the athlete. For all ISSF Championships an automatic release device must be used which must be set to simultaneously release the targets immediately after the athlete's call. Where an electric-manual system is used, the release device must be designed so that only one (1) button or switch can be used to release the targets.
- The five (5) shooting stations must be arranged on a straight line at a distance of 15 m to the rear and parallel to the front edge of the trap pit. Each station must be prominently marked with a square 1.00 m x 1.00 m. Station 3 must be centered on a line extending through the painted mark that indicates the zero (2) degree exit point above the middle trap in the group. Station 2 is 3.00 m – 3.30 m to the left of Station 3 and Station 1 is equidistant to the left of Station 2. Likewise Station 4 is 3.00 m – 3.30 m to the right of Station 3 and Station 5 equally 3.00 m – 3.30 m to the right of Station 4 (see Figure, Separate Double Trap Range). A sixth Station must also be marked about 2 m to the rear and slightly to the left of station 1 where athlete number 6 may take his position at the start of the competition. All six (6) of the shooting stations must be furnished with a table or bench where the athletes may place their extra cartridges and equipment. The stations must be firm and level in all directions and must be at the same elevation as the front edge of the roof of the trap pit. Each station (six) must also have a block of wood, piece of carpet or thick rubber sheet about 15 cm square or round upon which an athlete may rest his gun.
- For Double Trap Finals, medium intensity colored lamps must be fitted to each microphone stand at a height of 40 cm to 50 cm. The lamp system must be constructed to indicate that on the shooting stations occupied by the first athlete each time during the round and immediately before he shoots, that the microphone is inoperable for a period of 15 sec. At the end of the 15 sec. pause, the Referee shall command "READY" and the number one athlete shall have a further 12 sec. preparation time to call for the target.

(USA Shooting Clarification: In USA Shooting sanctioned competitions, the lamps fitted to the microphones are not required. The referee will control the timing pause.)

- 3.00 m to 4.00 m behind the line of shooting stations a path must be provided for mandatory use by the athletes moving from station 5 to station 6. Athletes must not pass between the path and the shooting stations. A wire, rope or other suitable barrier is to be erected 7.00 m to 10.00 m behind the return walkway. No spectators are to be allowed within this barrier. The Referee and Jury Members are responsible for enforcing this rule. The shooting stations, referee's stand and operator's stand should have adequate protection from sun and rain, except that Finals ranges should, if possible, be open.

(USA Shooting Clarification: USA Shooting sanctioned competitions may be conducted on a range that does not provide complete protection from the sun and rain until such time as it is feasible to upgrade the range.)

6.4.19.2.4 Separate Double Trap Range – 3 Machine



6.4.20

Standards for Skeet Ranges

6.4.20.1

A skeet field consists of two houses (high house and low house) and eight (8) shooting stations. Stations 1 through 7 are arranged on a segment of a circle with a 19.20 m radius and a base chord of 36.80 m (with a tolerance of ± 0.1 m) which is 5.50 m from the center point of the circle which is marked by a stake.

- The center of the circle which is marked by a stake also marks the base of the target crossing point.
- Station 1 is located at the left end of the base chord and station 7 at the right end when standing anywhere on the segment of the circle and facing the center stake. Stations 2 through 6 are located on the segment of the circle at points equidistant from each other (the exact distance between the center of the front of the stations 1 and 2, 2 and 3, etc., is 8.13 m on chord). Station 8 is located at the center of the base chord (see Figure).
- Shooting stations 1 through 7 are 0.90 m ± 0.05 m x 0.90 m ± 0.05 m square, with two sides parallel to a radius of the circle drawn through the station marker (center of the station). Shooting station 8 is rectangular, 0.9 m ± 0.05 m wide by 1.85 m ± 0.05 m long, with its long sides parallel to the base chord. The location of each shooting station must be accurately indicated. The markers for shooting stations 1 through 7 are on the center of the side nearest the target crossing point. The marker for shooting station 8 is on the center point of the base chord. All eight (8) shooting stations must be on the same level, within ± 0.05 m difference in elevation.

6.4.20.2

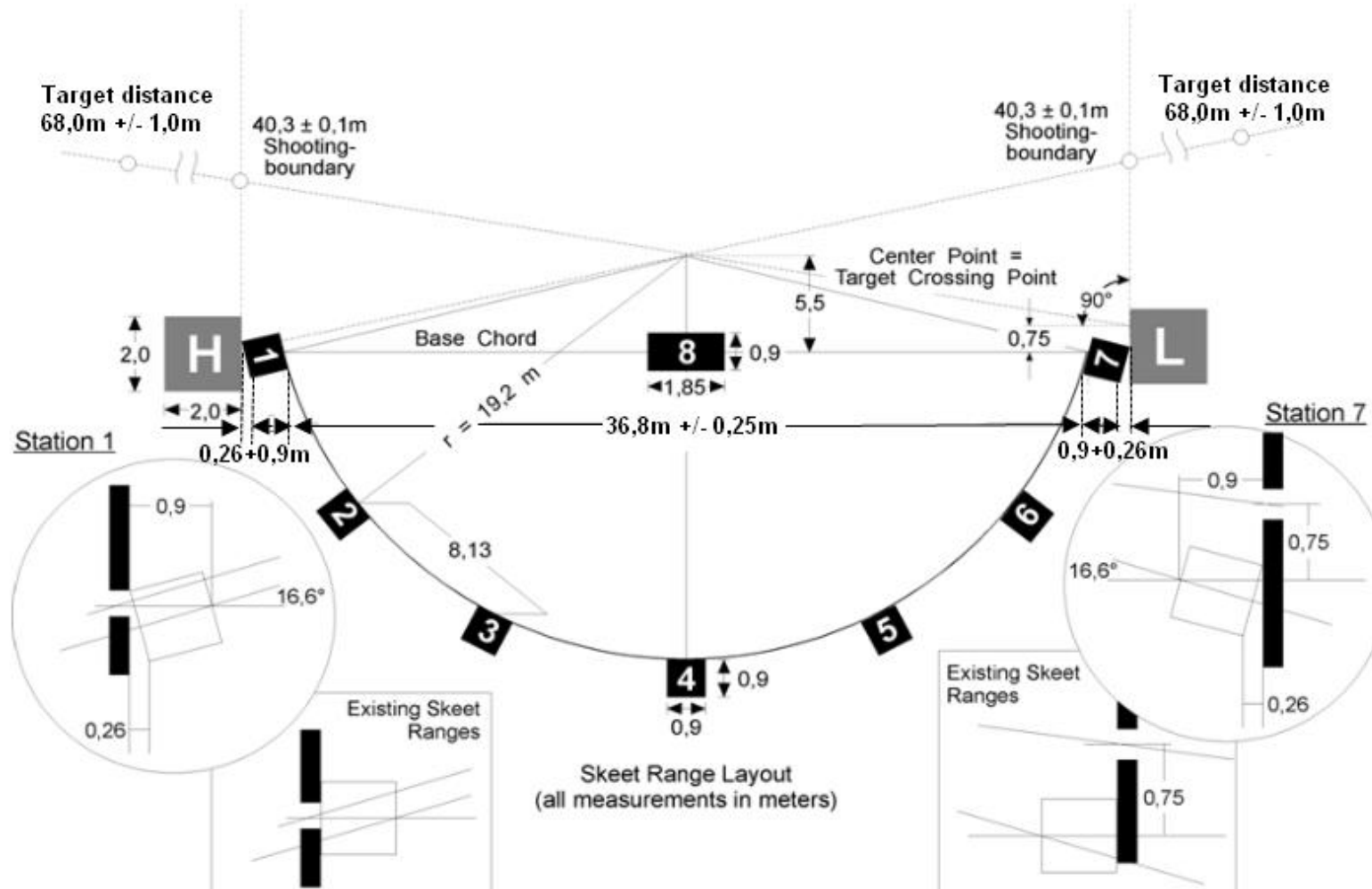
Target Distances, Angles and Elevations

- Each trap house must contain a trap (clay target throwing machine) in a fixed position.
- Targets thrown from the high house must emerge at a point 0.90 m ± 0.05 m behind the station marker 1 (measured along the extended base chord) and 3.05 m ± 0.05 m above the level of station 1. Targets thrown from the low house must emerge at a point 0.9 m ± 0.05 m behind station marker 7 (measured along the extended base chord) (moved 0.75 m ± 0.05 m to the exterior of the base chord) and 1.05 m ± 0.05 m above the level of station 7.
- Targets properly released must pass through a circle 0.90 m – 0.95 m in diameter, located 4.60 m ± 0.05 m above the center point.

- In calm weather conditions targets must carry a distance of 68.00 m +/- 1.00 m as measured from the face of the house behind stations 1 and 7. If the correct distance cannot be verified by measurement, the Jury will decide the trajectory of the targets.
- The shooting boundaries of stations 1 to 7 are 40.30 m +/- 0.10 m from the face of each house. For station 8 the shooting boundary is determined by the crossing point between a straight line running from station 4 to station 8 and the target crossing point. Suitable markers must be placed on the target flight path, at points 40.30 m +/-0.1 m from both the high house and the low house, to indicate the shooting boundaries. Similar markers must be placed at 67.00 m and 69.00 m to indicate the distance of a regular target.
- A safety shield must be installed at the opening of each trap house so that the trap operator is not visible to an athlete on any station. This precaution is mandatory as a safety measure to protect the operator from possible injury from direct or ricocheting shot, and the athletes from broken targets emerging from the opening of the trap-house. A wire, rope or other suitable barrier is to be erected 7.00 m to 10.00 m behind Station 4 and parallel to the base chord. No spectators are allowed within this barrier. The Referee and Jury Members are responsible for enforcing this Rule.
- The traps must be released by an electric-manual or electric-microphone system (see note below) with a timer device which must be installed so as to allow the operator to see and hear the athletes. For all ISSF Championships the use of a timer is mandatory. This must provide for the release of the targets within an indefinite period of time, varying from instant release up to a maximum of three (3) seconds after the athlete has called for his target. The release device must be designed so that only one (1) button (or switch) can be used to release double targets.
- Note: If an electro-microphone system is to be used, it must be so constructed as to randomly insert a delay varying from 0.2 to 3.0 seconds.
- A colored lamp must be fitted to the outside of both high and low houses. The lamps must light immediately on the athlete's call and extinguish when the target(s) are thrown. The lamps must be clearly visible to the referee. The lamp must be installed on the side of the skeet house which faces the spectator area at a height of 2.20 m – 2.80 m on the high house and 1.60 m – 2.00 m on the low house.

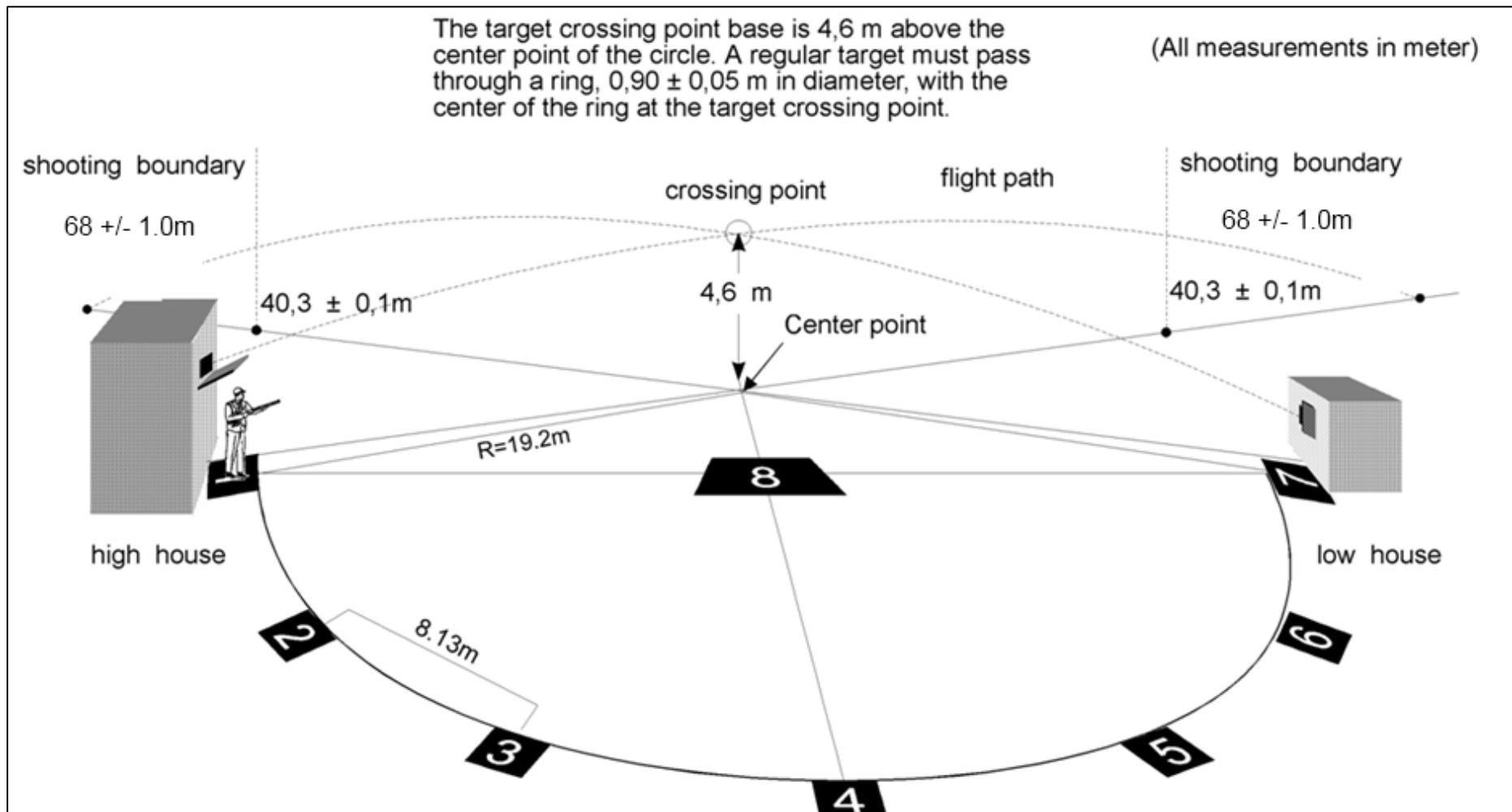
6.4.20.3

Skeet Range Layout



6.4.20.4

Skeet Range View



6.5

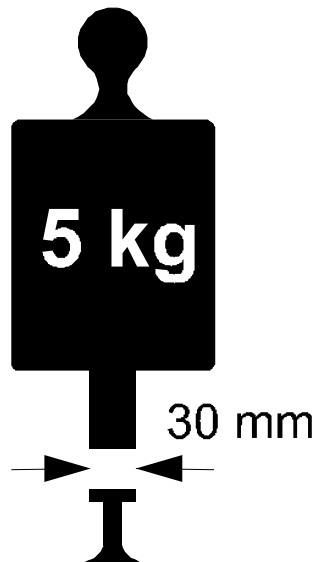
GAUGES AND INSTRUMENTS

- Each Organizing Committee must provide a complete set of gauges and instruments for Equipment Control during ISSF Championships;
- A detailed list of **Equipment Control Instruments** that are required for conducting Equipment Control tests and the requirements and specifications for those instruments is available from ISSF Headquarters;
- The ISSF Technical Delegate or the Chairman of the Equipment Control Jury must examine and approve all gauges and instruments prior to the competition;
- Calibration test equipment for use in examining Equipment Control instruments is available from ISSF Headquarters; and
- The measuring devices used to test the thickness, stiffness and flexibility of athletes' clothing must be constructed according to this rule (see Rule 6.5.1 below) and be approved by the ISSF Technical Committee.

6.5.1

Thickness Measurement Device

The device used to measure the thickness of clothing and shoes must be capable of measuring to one-tenth of a millimeter (0.1 mm). Measurements must be taken with a 5.0 kg weight applied. The device must have two (2) circular flat surfaces facing each other, each 30 mm in diameter.

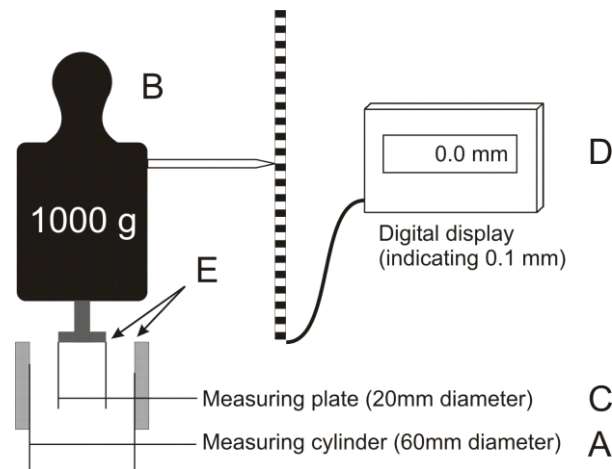


6.5.2

Stiffness Measurement Device

The device used to measure the clothing stiffness must be capable of measuring to one tenth of a millimeter (0.1 mm) and have the following dimensions:

A	Measuring cylinder	=	60 mm diameter
B	Measuring weight	=	1000 g (including grip and measuring plate C)
C	Measuring plate	=	20 mm diameter
D	Digital display		indicating 0.1 mm
E	The rounding of the edges on the measuring plate (C) and measuring cylinder (A) must not be more than 0.5 mm radius as a maximum.		

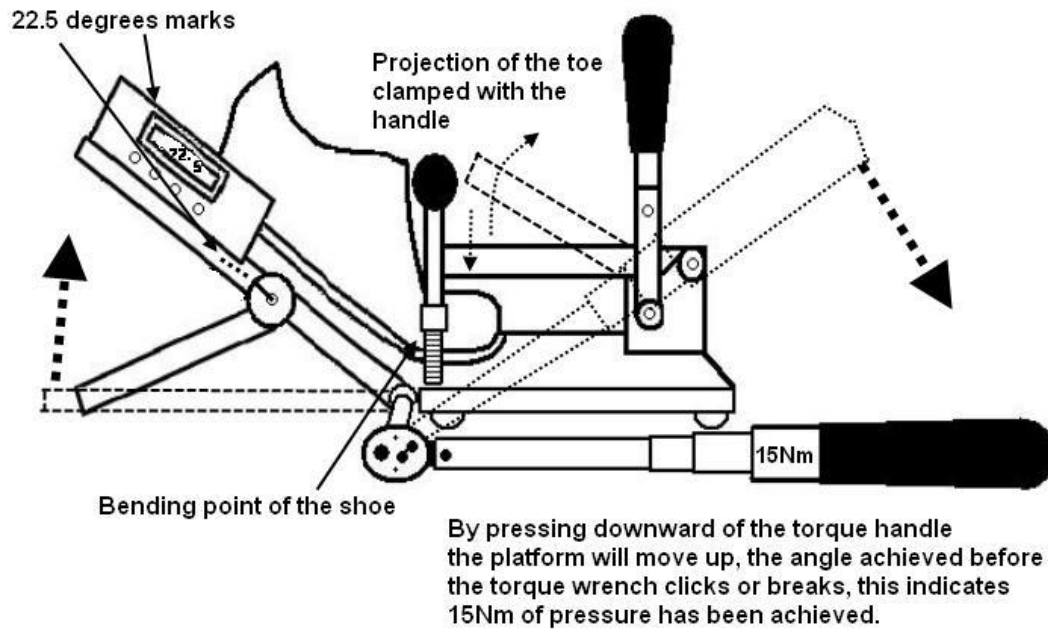


- Stiffness measurements must be made with the fabric/material laid flat, without stretching, on measuring cylinder "A;" and
- Measuring weight "B" presses measuring plate "C" onto the fabric/material on measuring cylinder "A."

6.5.3

Shoe Sole Flexibility Measurement Device

The device used to measure shoe sole flexibility must be capable of accurately measuring, in degrees, the shoe sole flexibility under a precise amount of upward pressure (NM).



6.6 CHAMPIONSHIP ADMINISTRATION

USAS 6.6A

In USA Shooting sanctioned competitions, the following are accomplished through the sanctioning process done through the USA Shooting Competitions department.

6.6.1 Championship Program and Schedule

6.6.1.1 The Organizing Committee must prepare a **Championship Program**, including invitations, schedules, the official symbol or logo and entry forms, and submit it to the ISSF Secretary General for review and approval (Rule 3.7.2). World Championship programs must be submitted fifteen (15) months in advance. World Cup programs must be submitted to the ISSF Secretary General not later than 1 November in the year prior to the year of the World Cup.

6.6.1.2 The Organizing Committee and Technical Delegate must prepare a detailed schedule of events for each Championship (Rule 3.7.2.1.1). Championship schedules should include the official arrival day, at least one day of Official Training, the necessary competition days and a departure day. World Championship schedules, including training days and the opening and closing ceremonies, should not exceed 16 days. Ranges may be open for additional training days before the official training day at the option of the Organizing Committee.

6.6.1.3 The Organizing Committee and Technical Delegate must establish the **Maximum Entry** (Range Capacity) for each event on the program, taking into consideration whether MQS-only entries will be accepted, the hours of shooting time available, the number of relays, squads, firing points, etc.

6.6.1.4 **The Official Program**, as approved by the ISSF Secretary General, must be published by the Organizing Committee and sent to all ISSF Member Federations twelve (12) months in advance for World Championships or five (5) months in advance for World Cups.

6.6.1.5 **The Final Schedule** with exact dates and times for Official Training, Pre-Event Training, Elimination Relays, Qualification Relays and Finals must be prepared as soon as possible after the Final Entry deadline. The Final Schedule must be approved by the Technical Delegate.

6.6.2 Training

6.6.2.1 **Official Training.** For World Cups, one full day of Official Training must be scheduled on the day following the official arrival day. Additional days of Official Training may be scheduled for the Olympic Games and World Championships.

6.6.2.2 Pre-Event Training (PET). Pre-Event Training must be provided for every event on the program on the day before the competition starts. For Rifle, Pistol and Running Target events, each athlete must be allowed to train on his allocated competition target for a minimum of 40 minutes per relay (30 minutes per relay for Rapid Fire Pistol) on the day before the event;. This is in addition to the Official Training day(s) in the program (for Shotgun, see Rule 9.6.2.1).

USAS 6.6.2.2A At USA Shooting sanctioned competitions, the range should be available (if possible) the day before the event and training provided as possible. Training availability should be announced in the Match Program.

6.6.2.3 Unofficial Training. In addition to the Official Training and scheduled Pre-Event Training, athletes may be given additional opportunities to train, if the shooting ranges and sufficient staff are available.

6.6.3 Entries and Entry Confirmation

National Federations must submit entries to the ISSF Entry System by the Final Entry Deadline 30 days before the official arrival day (Rule 3.7.3.2).

USAS 6.6.2A At USA Shooting sanctioned competitions, final entries must be completed prior to the start of the event.

- **Late Entries** may be submitted until three days before the official arrival day if an additional penalty fee is paid and entry spaces are available (Rule 3.7.3.4);
- **Entry Confirmations** and the payment of applicable entry fees to the Organizing Committee must be completed by Team leaders upon arrival (Rule 3.7.4); and
- **Entry Changes** can only be made in accordance with Rule 3.7.3. Entry Changes must be completed not later than 12:00 hours on the day before the Pre-Event Training for a particular Event.

6.6.4 Technical Meeting

A Technical Meeting conducted by the Competition Director and Technical Delegate(s) must be scheduled on the day before the first competition day to inform team leaders about competition details and any schedule changes.

6.6.5 Start Lists

- Start lists with firing point and relay allocations must be published and distributed not later than 16:00 hrs on the day before Pre-Event Training for any Event; and
- **Substitutions.** An athlete, in a team event only, may be replaced by an already registered athlete not later than 30 min. before the scheduled start time for that event. This rule also applies for competitions composed of several parts or

carried out over several days.

USAS 6.6.5A

At USA Shooting sanctioned competitions, squadding may be posted at the range in time for the arrival of competitors.

6.6.6

Principles for Firing Point Allocation

- The random allocation of athletes to firing points and relays must be done under the supervision of the Technical Delegate with a computer program designed for this purpose or by the drawing of lots;
- Whenever draws are used to determine firing positions the Technical Delegate must approve the range constraints to be taken into account;
- Individual athletes and teams (nations) should be able to shoot under conditions that are as near to equal as possible;
- Athletes from the same nation should not be allocated adjacent firing positions;
- Athletes from the same nation should be divided as equitably as possible between relays;
- If there are more athletes than targets in air rifle or air pistol events, targets must be distributed by drawing lots for two (2) or more relays;
- If more than one relay is used in team competitions, then team members must be distributed equitably between the relays;
- If a rifle competition lasts for more than one day, all athletes must fire an equal number of shots in the same position or positions each day; and
- When a pistol event is divided into two (2) stages or days, all athletes must finish the first stage before the second stage or day may begin. All athletes must fire an equal number of series each day of a two-day competition.

USAS 6.6.6A

On ranges where relatively equal conditions are not available on the entire range, or in selection matches where leading shooters must be given conditions as equal as possible, firing points may be allocated by seeding them according to scores in qualifying competition or previous results in the same competition.

6.6.6.1

Elimination Events for Outdoor Ranges

If the number of athletes exceeds the useable capacity of the range, an Elimination must be conducted.

- Any Elimination must be over the complete course of fire;
- Qualification athletes must consist of a proportionate number of highest ranking athletes from each Elimination relay, taking the number of starts on the startlists into account. The number of athletes who qualify must be announced as soon

as possible;

- **Formula:** The usable number of firing points is divided by the total number of athletes on the startlists multiplied by the number of athletes on the startlist for each relay to give the number of athletes going forward from the Elimination to the Qualification, e.g. 60 firing points and 101 athletes:

1st relay: 54 athletes = 32.08 → 32 athletes forward;

2nd relay: 47 athletes = 27.92 → 28 athletes forward;

- When Eliminations are required for team events, team members/nations must be equitably divided between the Elimination relays. Team scores are taken from these relays;
- If insufficient targets are available to allocate two team members from each team to the first relay and the remaining member from each team to the second relay, then it will be necessary to have three relays with one member from each team on each relay;
- An athlete who does not qualify must not be allowed to participate further in the event; and
- If there are tied scores for the last places in an Elimination the order of rank will be determined according to tie breaking rules.

USAS 6.6.6.1A

In USA Shooting sanctioned competitions, the organizing committee may allocate firing points based on the order in which the entries are received up to range capacity, PTO score, other qualifying scores, state residency requirements, etc.

6.6.6.2

Firing point allocation - 25m Rapid Fire Pistol

- The second 30-shot stage must begin only after all athletes complete the first 30-shot stage. If there are fewer athletes than are necessary to completely fill all relays, the allocation of firing points should be done so that gaps are left in the last relays of the first and second stages;
- For the 2nd stage, the order of relays must be changed so that an athlete who fired in the left side firing station in the first stage, must shoot in the right side firing station (of the same Range Section) in the second stage (and vice versa); and
- When the event is held on one day, all athletes in any relay for the first stage all shoot together again in one relay in the second stage, and in the same Range Sections although reversed; for example:

Stage	Relay	Range Section 1		Range Section 2		Range Section 3		Range Section 4	
	Bay	A	B	C	D	E	F	G	H
1	1	1	2	3	4	5	6	7	8
1	2	9	10	11	12	13	14	15	16

1	3	17	18	19	20	21	22	23	24
1	4	25	26	27	28	29	30	31	32
2	1	2	1	4	3	6	5	8	7
2	2	10	9	12	11	14	13	16	15
2	3	18	17	20	19	22	21	24	23
2	4	26	25	28	27	30	29	32	31

When the event is held over two days, the first relay in the second stage must be the middle relay of the first stage, or if there is an equal number of relays, the relay immediately after the middle of the first stage; for example:

Stage Day	Relay	Range Section 1		Range Section 2		Range Section 3		Range Section 4	
		A	B	C	D	E	F	G	H
	Bay								
1	1	1	2	3	4	5	6	7	8
1	2	9	10	11	12	13	14	15	16
1	3	17	18	19	20	21	22	23	24
1	4	25	26	27	28	29	30	31	32
2	1	18	17	20	19	22	21	24	23
2	2	26	25	28	27	30	29	32	31
2	3	2	1	4	3	6	5	8	7
2	4	10	9	12	11	14	13	16	15

6.6.6.3

Shotgun squadding and draw rules are found in Rule 9.10.4.

6.6.6.4

Running Target

- Every athlete must shoot the entire competition on the assigned range. Any change in range assignments may be made only if the Jury decides that there are different range conditions such as light conditions;
- If the event is conducted in one (1) day, the order of shooting for the second stage must remain the same as the order of shooting for the first stage; and
- If the event is conducted over two (2) days the athlete in the lowest ranking position at the end of the first day shoots first on the second day, and the athlete in the highest ranking position at the end of the first day shoots last on the second day.

6.7

COMPETITION CLOTHING AND EQUIPMENT

6.7.1

The ISSF establishes specific standards for competition clothing and equipment that athletes must follow in ISSF Championships and for Equipment Control testing to check the enforcement of those standards to safeguard the principles of fair and equal competition where no athlete can gain an unfair advantage over other athletes.

6.7.1.1 Athletes must use only equipment and apparel that complies with ISSF Rules. Any gun, device, equipment, accessory or other items that may give an athlete an unfair advantage over others and that is not specifically mentioned in these Rules, or that is contrary to the spirit of these Rules, is prohibited.

(USA Shooting Clarification: USA Shooting is not adopting all rules regarding equipment and clothing. Please read the rules carefully regarding clothing and equipment, rules that are not being adopted will have a clarification statement accompanying them. Please read both the General Technical rules and the appropriate discipline rules for updated USAS rules.)

6.7.2 Equipment Control certification must be retained with inspected equipment. Any inspected equipment or apparel that is changed must be re-inspected.

Rifle equipment may be inspected on a one-time only basis at an ISSF World Championship or World Cup.

6.7.3 Competition Clothing and Equipment

6.7.3.1 Rules governing specific equipment used by athletes in a particular discipline are found in the Rules for that discipline.

6.7.3.2 Athletes are responsible for submitting all equipment and apparel to Equipment Control for official inspection and approval prior to their use.

6.7.3.3 The use of any special devices, means or clothing, including the use of Kinesio, medical or similar taping, which immobilizes or unduly reduces the movement of the athlete's legs, body or arms, is prohibited for rifle, pistol and running target shooters in order to ensure that athletes' performance skills are not artificially improved.

6.7.3.4 Only sound reducing devices (hearing protection) may be used. Radios, iPods, or any similar type of sound producing or communication systems are prohibited during competitions and any training, except when they are used by competition officials.

6.7.4 ISSF Dress Code

It is the responsibility of athletes, coaches and officials to appear on the ranges dressed in a manner appropriate for a public sports event. Clothing worn by athletes and officials must comply with the **ISSF Dress Code**. Copies are available from ISSF Headquarters.

6.7.4.1 If shorts are worn during competitions, the bottom of the leg must be not more than 15 cm above the center of the kneecap.

6.7.4.2 During Award or other Ceremonies, athletes are required to present themselves in their official national uniform or national training suits and sport shoes.

6.7.4.3 Juries are responsible for the enforcement of the **ISSF Dress Code**.

6.7.5 Equipment Control

Prior to competitions, all athlete's guns and other equipment that is to be used in competition must be examined by Equipment Control to ensure that it conforms with ISSF Rules. Each athlete is responsible for presenting guns and equipment for official inspection and approval before they can be used in competitions. All athlete's guns and equipment may also be examined in post-competition testing.

USAS 6.7.6A

At USA Shooting sanctioned competitions, equipment control instruments and examinations are not mandatory. The competition director may determine the equipment control procedures to be used during of the competition based on available time and legal equipment measuring gauges. Equipment may be spot checked at any time.

6.7.5.1

Equipment Control Procedures

- The Organizing Committee must inform team officials and athletes, in sufficient time prior to the competition, where and when they may have their equipment inspected;
- The Equipment Control Section will be assisted and supervised by the Equipment Control Jury;
- The Equipment Control Section must register the name of the athlete, the make (manufacturer), serial number and caliber of each gun approved on an Equipment Control Card;
- It is the athlete's responsibility that any air or CO₂ cylinder is within manufacturer's validity date (maximum of ten (10) years); this may be checked by Equipment Control and advisory recommendations may be given;
- All approved equipment must be marked with a seal or sticker and the approval must also be recorded on the Equipment Control Card;
- One copy of the Equipment Control Card is given to the athlete who must retain this card with his equipment at all times. If an athlete loses his Equipment Control Card, there is a EUR 10.00 fee to replace it;
- If a rifle clothing item is resubmitted for a second or subsequent test during the same Championship, a reinspection fee of EUR 20.00 will apply;
- After equipment has been approved, it must not be altered at any time prior to or during the competition in any way that would conflict with ISSF Rules;
- If there are any doubts regarding an alteration, the equipment must be returned to Equipment Control for re-inspection and approval;
- Approval of any equipment is valid only for the Championship for which the inspection was made, except that rifle clothing may be inspected on a "one-time only" basis; and

- Examined **Running Target rifles** must be marked in such a way that the exchange of a sight, or the addition of compensating weights that were not officially weighed, would be immediately recognizable. **Bib (Start) Numbers and Items Worn by Athletes**

6.7.5.2 All athletes must be provided with a **Bib (Start) Number** to wear on the back of the outer garment above the waistline during the entire competition. Bib Numbers must display the athlete's allocated number for that Championship, family name, initial and nation (IOC abbreviation only). If a flag of the nation is used, it must be placed to the left of the IOC national abbreviation. The height of the letters in names should be as big as possible, but no letters or numbers may be less than 20 mm (for Shotgun, see 9.12.2, 9.12.3).

6.7.5.3 **Bib Numbers** must be worn by all athletes, on their backs and above the waist, at all times while participating in pre-event training and competition. If the Bib Number is available and not worn, the athlete may not compete.

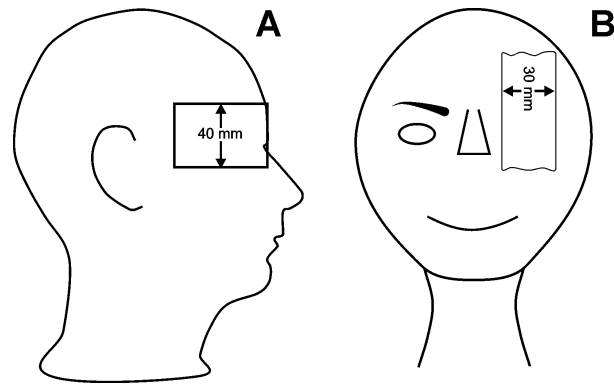
USAS 6.7.7.2A In USA Shooting sanctioned competitions, start numbers (bib numbers) are not mandatory. If start numbers are provided for the event, they must be worn as issued, with no modifications. The bib must be worn on the back with the entire bib above the waist. Organizing committees are encouraged to use them if at all possible, particularly in finals. The nation and the name of the shooter are not required.

6.7.5.4 All athletes must comply with **ISSF Eligibility, ISSF Commercial Rights and ISSF Sponsorship/Advertising Rules**. These rules govern such matters as emblems, sponsorship, advertising and commercial markings on clothing together with controls and sanctions.

USAS 6.7.7.3A Those athletes, who have signed the USA Shooting Code of Conduct must comply with 6.7.7.3 above. All other competitors do not fall under this rule.

6.7.5.5 **Side Blinders** (either or both sides) attached to the hat, cap, shooting glasses, or to a head band, not exceeding 40 mm deep (Rule 9.12.4, 60 mm for Shotgun athletes) are permitted (A). The front edge of a side blinder must not extend further forward than the center point of the forehead, when viewed from the side.

Front Blinders to cover the non-aiming eye that are wider than 30 mm wide are not permitted (B).



6.7.6 Post-Competition Testing

6.7.6.1 Follow-up controls must be conducted after Elimination and Qualification Round competitions. Follow-up controls for 10m and 50m rifle and pistol event relays must check a minimum of three (3) athletes, including finalists, random and target testing selections. Follow-up controls for 25m pistol events must be done according to Rule 8.4.2.3. The Equipment Control Jury is responsible for supervising the conduct of all post-competition checks. Rifle post-competition checks must include shooting clothing, underclothing, taping and rifles (trigger weighing when applicable). Pistol post-competition checks must include shoes, taping, trigger weighing, 25m Rapid Fire Pistol Men ammunition velocity checks and the weighing of bullets where applicable. Judges of the same gender as the athletes must be available for clothing and taping checks.

USAS 6.7.7.1A In USA Shooting competitions, post competitions checks may be conducted at the discretion of the competition director.

6.7.6.2 Rifle clothing checks will be conducted immediately after the athlete has finished. If the clothing fails, it will be tested again after the first check. If any item of clothing fails a second time, the athlete must be disqualified. Before and during all follow-up controls, the clothing must not be manipulated by heat or other temporary or permanent means.

6.7.6.3 If an athlete fails a post-competition check, the Chairman of the Equipment Control Jury or one Jury Member designated by the Chairman of the Equipment Control Jury must confirm that the test was performed correctly and that the athlete is disqualified. Appeals against this disqualification may be submitted to the Jury of Appeal. The Jury of Appeal must decide if the test was performed correctly, but it may not repeat the test.

6.7.6.4 Target Testing (selection of athletes on a non-random basis) may be done when a Jury has credible evidence that an athlete has altered or attempted to alter his gun, clothing or equipment.

6.8 COMPETITION JURY DUTIES AND FUNCTIONS

USAS 6.8A At USA Shooting sanctioned competitions, the competition staff may accomplish the tasks outlined below. See USA Shooting General Regulations 2.6.4 and 2.6.5.

Juries are responsible for advising, assisting and supervising the competition officials appointed by the Organizing Committee.

- Competition Juries supervise the conduct of events in each discipline (Rifle, Pistol, Shotgun, Running Target);
- Classification Juries supervise scoring and results operations; and
- Equipment Control Juries supervise the testing of athletes' clothing and equipment.

USAS 6.8A See USA Shooting General Regulation 2.6.4. At USA Shooting sanctioned competitions a jury of at least three members will be appointed by the competition organizing committee, when needed and in accordance with GR 2.6.4

6.8.1 Range Officers appointed by the Organizing Committee are responsible for the actual conduct of the competitions while Juries act in an advisory and supervisory capacity. The Range Officers and Jury are mutually responsible for conducting the training and competitions in accordance with ISSF Rules and must ensure that these Rules are enforced in a fair and equitable manner during the competitions.

USAS 6.8.1A At USA Shooting sanctioned competitions, all range officers and jury members must be familiar with the USA Shooting Rules and must ensure that these rules are enforced in a fair and equitable manner during the competition.

6.8.2 All Jury Members must wear the official ISSF Jury vest (red color) when on duty. Jury vests must be purchased from ISSF Headquarters. It is recommended that all Range Officers wear a distinctive vest or other means of identification (preferably in green color) **when on duty**. It is recommended that all Target Officers or other personnel who must go downrange to perform their duties wear a vest in a fluorescent color or high visibility armbands.

USAS 6.8.2A At USA Shooting sanctioned competitions, it is not mandatory for jury members or match staff to wear any distinctive clothing.

6.8.3 Before the beginning of the competition, the Competition Jury must examine the shooting ranges and check the organizational arrangements and organization of operating personnel, etc., to ensure that they conform to ISSF Rules. Jury checks should be done in coordination with any earlier checks made by the Technical Delegate.

6.8.4 Jury Members must continuously observe the shooting positions and the equipment of the athletes.

6.8.5 Jury Members have the right to examine the guns, equipment, positions, etc., of the athletes at any time, during training and

competitions.

- 6.8.6** During competitions, Jury Members should not approach an athlete while he is firing a shot (or series of shots in rapid fire events) unless a safety issue requires immediate action.
- 6.8.7** A majority of the Jury must always be present on the range during competitions so that, when necessary, the Jury can meet and make decisions immediately.
- 6.8.8** Jury Members have the right to make individual decisions during competitions, but should confer with other Jury Members and Range Officers when any doubt exists. If a Team Official or Athlete does not agree with the decision of an individual Jury Member, a decision of the majority of the Jury may be requested by making a written protest.
- 6.8.9** Jury Members must be completely impartial in making decisions, regardless of the nationality, racial, religious, ethnic or cultural identity of any athletes who are involved.
- 6.8.10** Juries must deal with any protest(s) that are submitted to the Jury in accordance with ISSF Rules. After consultation with the Range Officers and others directly concerned, the Jury must rule on any protest.
- 6.8.11** A Jury must decide all cases that are not provided for in the ISSF Rules. Such decisions must be made within the spirit and intent of ISSF Rules. Any such decisions must be included in a Jury Chairman's Report that is submitted to the Technical Delegate after each Championship.
- 6.8.12** Athletes and Team Officials must not be members of a Jury. Jury Members must not advise, coach or assist athletes beyond the scope of the ISSF Rules at any time during the competition.
- USAS 6.8.12A** For USA Shooting sanctioned competitions, see GR 2.6.4.
- 6.8.13** The Jury Chairman is responsible for directing Jury schedules and activities for ensuring the presence of sufficient member(s) of the Jury at all times, including all Official and Pre-Event Training.
- 6.8.14** The Jury Chairman shall prepare a report on Jury decisions and actions to be submitted to the ISSF Secretary General through the Technical Delegate as soon as possible after the Championship.
- USAS 6.8.14A** At USA Shooting sanctioned competitions, the jury will send reports to Competitions Manager, USA Shooting.
- 6.8.15** **Jury Member Duties – Paper Targets -- 25m Events Only**
- For 25m events when using paper targets, a Jury Member from the Classification Jury and/or the Pistol Jury must be appointed for each Range Section or for each five (5) to ten (10) targets (i.e. one per Target Officer). He must accompany the Target Officer at the Target Line;
 - The Jury Member must check that the targets are inspected

before scoring commences, looking for the correct number of shots, proximity to the scoring lines, etc. Doubtful situations must be resolved before scoring commences;

- Decisions on doubtful situations must be made simultaneously by two (2) Jury Members and the Target Officer. One member of the Jury will act as chairman and will insert the plug gauge, if necessary;
- The Jury Member at the Target Line must ensure that all results recorded by the Second Register Keeper at the Target Line are correct, also that Jury decisions are duly noted and certified on the score cards; and
- The Jury Member must ensure that the targets are not patched, and shots are not indicated by the colored discs until after doubtful situations have been resolved and the score has been recorded correctly by the Second Register Keeper.

6.9 ORGANIZING COMMITTEE COMPETITION OFFICIALS

6.9.1 Chief Range Officer (CRO) Duties and Functions

6.9.1.1

A Chief Range Officer (CRO) must be appointed for each range. He is in charge of all Range Officers and Range Personnel and is responsible for the correct conduct of the shooting event. The CRO is responsible for giving all range commands and for ensuring the cooperation of Range Personnel with the Jury.

6.9.1.2

The CRO is responsible for the rapid correction of any equipment failures and for making available the necessary experts and supplies to operate the range. A repair service must be at the CRO's immediate disposal at all times. For cases that exceed the capabilities of the repair service, additional provisions must be made.

6.9.2 Range Officer (RO) Duties and Functions

A Range Officer (RO) must be appointed for each range section or for each five (5) to ten (10) firing points. Range Officers must:

- Be responsible to the CRO for the conduct of the competition in the target section entrusted to them;
- Call the athletes to their firing points;
- Check the names and Bib Numbers of athletes to ensure that they correspond with the start list;
- Ensure that the athletes' guns, equipment and accessories have been examined and approved;
- Check athletes' shooting positions and advise the Jury of any irregularities;
- Ensure that the commands of the CRO are followed;
- Take necessary actions regarding a malfunction, protest,

disturbance, or any other matter arising during the competition;

- Be responsible for the accurate recording of shots by Register Keepers when using paper targets;
- Supervise the correct operation of the targets;
- Receive protests and pass them on to a Jury Member;
- Be responsible for the recording of all irregularities, disturbances, penalties, malfunctions, cross-fires, extra time allowed, repeated shots, etc. on Range Incident Report Forms and on the target or printer strip as appropriate; and
- Must refrain from any conversations with athletes or from making other comments regarding scores or the time remaining in the competition.

6.9.3 Chief Classification Officer (CCO) Duties and Functions

The CCO must be appointed for each Championship. He is in charge of all Classification Officers and Entry and Results Personnel. The CCO is responsible for the correct conduct of all scoring and results operations the Championships.

6.9.4 Register Keeper Duties and Functions – Paper Targets

USAS 6.9.4A

Register Keepers are not required at USA Shooting sanctioned competitions. IF Register Keepers are not used, backer targets are preferred to detect cross-fires. Every effort should be made to use backer targets for this purpose.

When paper targets are used, a Register Keeper may be appointed for each firing point. Register Keepers must:

- Fill out or verify the corresponding information on the scorecard and scoreboard, (athlete's name, Bib Number, firing point number, etc.);
- Have a telescope if remote operated target changing is used. If the Register Keeper controls the target changing, he must wait a few seconds before signaling to change the target, in order to give the athlete the opportunity to spot his shot;
- Enter the preliminary value of every shot on the scorecard and on the scoreboard above or beside his desk for the benefit of the spectators; and
- On ranges where the targets are returned mechanically to the firing line, collect the targets immediately after each series of ten (10) shots and place them in a locked container to be collected by authorized personnel for delivery to the Classification Office.

6.9.5 Running Target Register Keeper Duties and Functions – Paper Targets

- Examine the entries on the range assignment list and score cards to assure that the name of the athlete, Bib Numbers,

range numbers and nations agree.

- Record the indicated score and compare this with the TV monitor when it is in use. Entries on score cards are to be made in such a way that the Classification Office can identify right and left runs.

6.9.6

Running Target Line Officer Duties and Functions

- The Line Officer must be located so that he can observe the readiness of the athlete and is able to hear the athlete's **READY** command. He must be able to observe the score keeping system after each shot, see the result of scoring, and at the same time observe the signal to start the target; and
- The Line Officer operates the starting button, the stop button, and the switch to change from slow to fast runs. If no electronic program switch is provided for the mixed runs event, the necessary switching must be executed under a plan approved by the Jury.

6.9.7

Target and Pit Officers Duties and Functions – Paper Targets

USAS 6.9.7A

Pit Officers are not required on ranges without pits.

The number of Pit Officers should correspond to the number of Range Officers. In pit operations, they are responsible for their assigned range section or group of targets to ensure that targets are changed rapidly, scored, marked and raised for the athlete's next shot. Pit Officers must:

- Ensure that there are no shot holes on the white surface of the target, and that any shot marks on the frame are clearly marked;
- If a shot hole cannot be located on a target, the Pit Officer is responsible for determining whether the shot hole is on a neighboring target and, in consultation with the Jury and Range Officer, for resolving the situation;
- When automatic target boxes are used, Pit Officers are responsible for loading the correct targets in the boxes, for removing the targets and preparing them for delivery to the Classification Office; and
- They are also responsible for marking on the targets any irregularities that may have occurred.

6.9.8

Running Target Pit Officer Duties and Functions–Paper Targets

A Pit Officer and an assistant must be stationed at each side of all ranges used during the competition. Depending on the system used, target changing can be done with one Pit Range Officer and an assistant if adequate safety baffles are available. The Pit Range Officer or his assistant is responsible for changing the target during the standard rhythm time. The Pit Officer is

responsible for:

- Ensuring that the correct targets are attached to the frame in the specified sequence;
- Correctly positioning 50 m half targets or repair centers, correctly applying patches to cover bullet holes, establishing the rhythm of score indicating, etc.;
- Examining the target after each run and ensuring that every shot is correctly signaled for both value and location;
- Ensuring that the target is facing in the correct direction before each run;
- Bullet holes close to a scoring ring must be given the lower value when indicating the score;
- At the conclusion of each stage, the targets must be removed from the frame and placed in a secure container to await transfer to the Classification Office;
- Target couriers must transmit targets and report sheets to the Classification Office at least after every second athlete finishes firing;
- Sighting shots on 50m targets must be covered with black patches;
- Each series begins with 4 sighting shots. If the athlete does not shoot the sighting shots, black patches must be stuck on the corresponding targets outside the rings; and
- Competition shot holes on 50m targets must be covered with transparent patches. Only the outer part of shot holes which are close to a scoring ring should be covered to assist the Classification Office in scoring. The last hit on each target must remain uncovered.

6.9.9

25m Target Officer – Paper Targets

A Target Officer must be appointed for each Range Section or for each five (5) to ten (10) targets. The number of Target Officers must correspond to the number of Range Officers. The Target Officer must:

- Be responsible for the group of targets entrusted to him;
- Must call all hits of doubtful value to the attention of the Jury Member and, after a decision is made, must signal the location and value of shots;
- Ensure that targets are scored rapidly, accurately and efficiently marked, patched and/or changed, as necessary and as required by the Rules; and
- Assist in the resolution of doubtful situations according to ISSF Rules in co-ordination with the Range Officer and the Jury.

6.9.10 Second 25m Register Keeper – Paper Targets

All stages of all the 25m events are scored officially on the range. The Second Register Keeper is at the target line. He must record scores on scorecards as called by the Target Officer. If there is a difference between the score marked by the Register Keeper and the Second Register Keeper that cannot be resolved, the score recorded by the Second Register Keeper will be valid.

6.9.11 25m Target Marker – Paper Targets

After scoring is completed, the Target Marker will patch the holes on the target, Control Sheets, and Backing Targets, or change the targets or Control Sheets as directed.

6.10 EST COMPETITION OPERATIONS

6.10.1 EST Technical Officers

- EST Technical Officers are responsible for operating and maintaining the Electronic Scoring Target equipment;
- EST Technical Officers may advise Range Officers and Jury Members, but they must not make any decisions regarding the application of ISSF Rules; and
- EST Technical Officers are normally designated by the Official Results Provider or must be persons with special training in the operation of ESTs and the operation of electronic competition management systems.

6.10.2 Target Officers

Target Officers are appointed by the Organizing Committee to assist in the operation and maintenance of ESTs:

- Before each relay of each event, Target Officers must ensure that there are no shot holes on the white surface of the target and that all shot marks on the frame are clearly indicated;
- During competitions, Target Officers patch Backing Targets and Backing Cards and change the Control Sheets; and
- **Backing Targets, Backing Cards and Control Sheets** must not be patched or changed until after all scoring is completed.

6.10.3 Jury Member Duties – Electronic Scoring Targets

6.10.3.1

Member(s) of the Classification Jury will be present on the ranges to supervise classification operations and assist in the resolution of any matters relating to scoring. Members of the Competition Pistol Jury must assist in cases where actions or decisions need to be taken and there are only two or fewer Classification Jury Members available.

6.10.3.2

Before each relay of an event, a Jury Member must inspect the Electronic Scoring Targets to confirm that:

- There are no shot holes on the white surface of the target;

- Any shot marks on the frame are clearly indicated;
- The Control Sheets are renewed; and
- The Backing Cards and Backing Targets have no shots outside of the central area that is covered by the Control Sheet.

6.10.4 Shooting on Electronic Scoring Targets

- Athletes must familiarize themselves during training with the control buttons that alter the target presentation on the monitor screen (ZOOM facility) and that change from a Sighting target (SIGHTING) to a Match target (MATCH);
- In 10m, 25m and 50m events changing from Sighting to MATCH shots is under control of range personnel, except that in 50m three-positions events, changing from MATCH to Sighting and back to MATCH is the responsibility of the athlete. If any athlete is in doubt, he must ask a Range Officer for assistance;
- It is not permitted to **obscure the athlete's monitor-screen** or any part of the screen. The whole screen must be visible to the Jury and range personnel;
- Athletes and Range Officials must **not touch the printer control panels** and/or printer strips before the end of the relay or event, except when authorized by the Jury;
- Athletes should sign the printer strip (next to the score total) before leaving the range to identify their score.
- When an athlete fails to sign the printer strip a Jury Member or Range Official should initial this printer strip to allow it to be sent to the Classification Office.

6.10.5 Target Scoring Complaints During Sighting Shots

If an athlete complains during sighting shots about the correct recording or evaluation of the shot(s), the Jury may offer to move him to another firing point.

- The athlete will be given appropriate extra time;
- The Jury will, as soon as possible, examine the sighting shot(s) on the original firing point by applying the **Procedure for Examination of ESTs**; and
- If this subsequent examination confirms that the target on the original firing point provided correct results, the athlete will be penalized with the **DEDUCTION** of two (2) points from the lowest value shot of his first competition series.

6.10.6 Failure of the Paper or Rubber Band to Advance

If the Jury confirms that the problem causing an athlete complaint is because the paper or rubber band is not advancing properly:

- The athlete will be moved to a reserve position;

- He will be permitted unlimited Sighting shots to be taken within the time remaining for the event plus any additional time granted;
- He will repeat the number of MATCH shots determined by the Jury plus the number of shots necessary to complete the event;
- After the relay, the Classification Jury will decide which shots are to be counted from each target; and
- The athlete will be credited with the scores of all shots that were correctly displayed on the monitor of the first target, plus the scores of all MATCH shots fired on the second target that were necessary to complete the course of fire.

6.10.7 Protest Concerning a Shot Value

If a shot registers and displays, but the athlete protests the value indicated in accordance with Rule 6.16.6.2:

- After the relay, the detailed printer results (LOG-Print) must be generated by the Technical or Range Officers for all firing lanes on which complaints or protests have been made, and for the immediately adjacent lanes, before the target systems are reset for the next relay;
- After the completion of the relay, the **Procedure for Examination of ESTs** will be applied;
- Any non-indicated or incorrectly indicated shot must be scored by the Classification Jury; and
- If the Classification Jury determines that a protested shot was scored correctly, a two point penalty will be applied (6.16.6.2).

6.10.8 PROCEDURE FOR EXAMINING ELECTRONIC SCORING TARGETS FOLLOWING A SCORE PROTEST OR COMPLAINT

If there is a score protest, complaint or no indication of a shot, etc., a Jury Member must collect the following items (the number of the firing point and the orientation of the card, sheet or target, the relay and series and the time of collection must be noted on each):

- The Control Sheet (25m / 50m). If the location of any shot hole is out of the area of the Control Sheet, the geometric relation between the shot holes on the Control Sheet and the Backing Card must be made before the Control Sheet is removed;
- The Backing Card (25m / 50m / 300m);
- The Backing Target (25m);
- The black paper strip (10m);
- The black rubber band (50m);
- The Range Incident Report;

- The LOG print; and
- The data record from the electronic scoring target computer (if necessary).

6.10.8.1 A Jury Member must examine the face of the EST and the frame and record the location of any shots outside the black aiming mark.

6.10.8.2 No CLEAR LOG must be made before the Classification Jury has given permission.

6.10.8.3 The number of shot holes must be counted and their location taken into account.

6.10.8.4 Jury Members must examine these items and then make independent assessments before a formal Jury decision is made.

6.10.8.5 A Jury Member must supervise any manual intervention of the control computer results (e.g. the recording of penalties, corrected scores after malfunctions etc.).

6.10.9 FAILURE OF ESTs

These Rules apply to 10m, 50m and 300m ESTs. For Rules concerning 25m EST failures, see the Pistol Technical Rules, 8.10.

6.10.9.1 When ALL Targets on a Range Fail

- The time of failure and the expired shooting time must be recorded by the Chief Range Officer and the Jury;
- All completed competition shots of each athlete must be counted and recorded. In the event of a range power supply failure, this may involve waiting until the power supply is restored to enable the number of shots registered by the target, not necessarily on the firing point monitor, to be established; and
- After the failure is rectified and the full range is in operation, an **additional five (5) minutes** will be added to the competition time remaining. The time for recommencing is to be announced over the loudspeaker system at least five (5) minutes beforehand. Athletes must be allowed to resume their position in the five (5) minutes before the competition restarts. Unlimited sighting shots must be allowed during the remaining shooting time, but only before competition shots are resumed.

6.10.9.2 When a SINGLE Target Fails

- If the EST cannot be repaired within five (5) minutes, the athlete must be moved to a reserve position;
- When he is ready to shoot, an **additional five (5) minutes** will be added to the competition time remaining; and
- He will be permitted unlimited sighting shots before he starts the remaining competition shots.

6.10.9.3

When a Shot Fails to Register or Display on the Monitor

The athlete must immediately inform the nearest range official of the failure. A range official must make a written note of the time of the complaint. One or more Jury Member(s) must go to the firing position. The athlete must be directed to fire one more aimed shot at his target:

a) If the value and location of this shot is registered and displayed on the monitor:

- The athlete must be directed to continue the competition;
- The value, location and time of firing of this extra shot must be recorded, its shot-number (after including the missing shot) and its value and its shot-location, and the firing point number must be given to the Jury in writing and recorded on the Range Register and a Range Incident Report;
- After the end of that relay, the **Procedure for Examination of ESTs** will be applied. Using this information and the time of the extra shot and its location, the Classification Jury will determine whether all shots, including the extra shot, are recorded on the computer record;
- If all the shots are recorded correctly, then the questioned shot (shot that did not register or display) will be counted in the score of the athlete, as well as the shot fired immediately after (as the “extra” shot), but the last shot fired (extra to the competition) will be annulled;
- If the questioned shot was not located applying the **Procedure for Examination of ESTs** nor elsewhere, then only those correctly recorded shots excluding the last shot fired (extra to the competition) are to be counted in the score of the athlete; and
- If the questioned shot was not located in the computer memory, but is located elsewhere, the Classification Jury will determine the validity and score-value of the questioned shot.

b) If the extra shot fired as directed does not register or display and the EST cannot be repaired within five (5) minutes:

- The athlete must be moved to a reserve position;
- When he is ready to shoot, an **additional five (5) minutes** will be added to the competition time remaining and he will be permitted unlimited sighting shots;
- **In 10m and 50m Rifle and Pistol Events**, the athlete will repeat the two (2) competition shots that did not register or display on the previous target used; and

- **In 10m Running Target Events**, the athlete will be permitted two (2) minutes to resume his position and then allowed two (2) additional sighting shots Rule 10.7.3.9). Then he will repeat the two (2) competition shots which did not register or display on the previous target used and fire the remaining shots of the series. The athlete will be credited with the score of all the shots that were displayed on the monitor of the first target plus the score of all the properly fired competition shots that were displayed on the second target used. If the two (2) extra shots were later found in the computer record of the previous target they will be annulled.

6.11 **COMPETITION PROCEDURES (see also 6.17, Finals Competition Procedures)**

6.11.1 **Rules for 10m and 50m Rifle and Pistol Events**

(USA Shooting Clarification: USA Shooting will be using the 2013 ISSF rules update only in National Championship and Selection Match competitions. Changes in the rifle competition rules require USA Shooting to allow time for the clubs and organizations to test this format at their own ranges and provide input to USA Shooting in an effort to create a fair and workable set of USA Shooting rules.

2013 Junior Olympic Championships will be held under the 2012 USA Shooting rules.)

6.11.1.1 **Preparation and Sighting Time**

Athletes must be given 15 minutes before the competition starts to make their final preparation and fire unlimited **Sighting Shots**.

USAS 6.11.1.1A When a multiple bull's-eye target (with sighting bull's-eye) is used, and the athlete in the first fired shot of the target (sighting bull's-eye) misses the scoring area of the sighting bull's-eye or hits outside the guard line or ring when printed on targets, the athlete shall: halt firing, call a Range Official, have the Range Official verify that the shot is not in the sighting bull's-eye. The Range Official shall record this fact and the athlete shall commence firing at the sighting bull's-eye again. The Range Official will continue to observe until the athlete's shot hits the scoring area of the sighting bull's-eye. At this point, the Range Official will verify all previous shots as sighting shots (they will not be scored as misses) and the athlete will continue firing the match under the rules of the match. No extra time will be allowed for the procedure above. Additional shots outside the scoring rings, or guard line will be scored as record shots. All penalties used in scoring will be in force after the first shot that strikes the sighting bull's-eye. This procedure may only be used when there is one shot hole on the target.

USAS 6.11.1.1B When a multiple bull's-eye target is used in a match requiring breaking of position to hang additional targets in order to complete the aggregate of the position; the athlete will be given additional sighting time and be allowed to shoot sighters on all sighter bulls-eye on the target. In any case, the athlete will be allowed to use all

the sighter bulls-eye on the target but once finished with sighting, the athlete may not return to the sighter bull's-eye.

USAS 6.11.1.1C When more than one multiple bull's-eye target can be hung at one time; all sighter bulls-eye on all targets hung may be used for sighting by the athlete. Once the athlete goes from sighting to competition, the athlete may not go back to the sighting bulls-eye. If the match requires breaking of position to hang additional targets in order to complete the aggregate of the position; the athlete must be given additional sighting time and all sighting bulls-eye on the targets hung may be used before going to the competition bulls-eye.

- Sighting targets must be visible at least 15 minutes before the Preparation and Sighting Time starts;
- Athletes may not place their guns and equipment on their firing points until the Chief Range Officer has called the athletes to the line;
- The Chief Range Officer must call athletes to the line at least 15 minutes before the Preparation and Sighting Time starts;
- If there is more than one relay, each relay must be allowed the same amount of time to bring their equipment to the firing line;
- After the Chief Range Officer calls athletes to the line, they are permitted to handle their guns, dry fire or carry out holding and aiming exercises on the firing line before the Preparation and Sighting Time starts;
- Pre-competition checks by the jury and range officers must be completed before the Preparation and Sighting Time starts;
- The Preparation and Sighting Time begins with the command **“PREPARATION AND SIGHTING TIME...START;”**
No shot may be fired before the command **“START;”**
- An athlete who fires a shot or shots **before the start** of the Preparation and Sighting Time must be disqualified if safety is involved. If safety is not involved, the first competition shot must be registered as a miss (0); and
- The Preparation and Sighting Time must be timed to end at the official starting time for Match firing.

6.11.1.2 “START” of Competition

- At the end of the Preparation and Sighting Time, the Chief Range Officer will command **“END OF PREPARATION AND SIGHTING...STOP.”** There must then be a brief pause of approximately 30 seconds so the Target Officer can reset the targets for MATCH or record firing;

- When all targets are reset for MATCH or record firing, the Chief Range Officer will command **“MATCH FIRING...START.”** MATCH firing is considered to have started when the CRO has given the command **“START;”**
- Every shot fired after the Start of Match Firing must be recorded as a MATCH shot, however, dry firing is allowed;
- After the Start of MATCH Firing, no further sighting shots are allowed, except for position changes in 50m Rifle 3 Position events (see Rule 7.7.3) or when permitted by the Jury in accordance with these Rules;
- Any further sighting shot(s) fired in contravention of this rule must be scored as miss(es) in the competition;
- The CRO must inform athletes by loudspeaker of the time remaining at both ten (10) minutes and five (5) minutes before the end of the competition time;

USAS 6.11.1.2A In USA Shooting sanctioned competitions for timed stages, time will only be announced at five minutes or two minutes, depending upon the length of the stage.

- A shot or shots that are not fired during the MATCH firing time must be scored as miss(es) on the last competition target(s), unless the CRO or a Jury Member has authorized extra time; and
- If, during MATCH firing on 10m ESTs, the Jury directs an athlete to move his position within his firing point, the athletes must be offered additional sighters and 2 minutes additional time before he resumes MATCH firing.

6.11.1.3 **“STOP” COMMAND**

The competition must stop at the command **“STOP”** or at the appropriate signal.

- If a shot(s) is fired after the command or signal **“STOP,”** that shot(s) must be counted as a miss; and
- If the shot(s) cannot be identified, the best hit(s) must be deducted from the score of that target and scored as miss(es).

6.11.2 **Specific Rules for 10m Air Gun Events**

6.11.2.1 If an athlete **releases the propelling charge** prior to the Preparation and Sighting Time he must be given a **WARNING** for the first violation and a **DEDUCTION** of two (2) points from the lowest value shot of the first MATCH series for the second and subsequent violations.

6.11.2.2 Any release of the propelling charge, after MATCH Firing starts, without a hit on the target will be scored as a miss. Dry firing without release of the propelling charge is permitted except during Finals.

6.11.2.3 If an athlete wishes to change, or to fill, a gas or air cylinder, he must leave the firing point to do so, after obtaining permission from the Range Officer. No extra time is allowed to change or fill a gas or air cylinder during a competition.

6.11.2.4 The gun may only be loaded with one (1) pellet. When a gun is accidentally loaded with more than one (1) pellet:

- If the athlete is aware of the situation, he must raise his non-shooting hand to indicate to a Range Officer that he has a problem. A Range Officer must then supervise the unloading of the gun and no penalty will be incurred. No extra time will be allowed for this; or
- If the athlete is unaware of the situation and fires two pellets at the same time, he must report this to a range officer. If there are two (2) hits on the target, the score of the higher value shot will be counted and the second shot will be annulled. If there is only one (1) hit on the target, this will be counted.

6.11.3 Handling 10m Air Rifle and Air Pistol Paper Targets

- Changing targets is done by the athletes under the supervision of the Range Officers;
- The athlete is responsible for shooting on the correct targets; and
- Immediately after each series of ten (10) shots, the athlete must put the ten (10) targets in a convenient place for the Register Keeper who must put them in a secure container to be collected by authorized personnel for delivery to the Classification Office.

USAS 6.11.3A In USA Shooting sanctioned **Pistol** competitions other than National Championships and Selection Matches, the sponsor may specify multiple shots per target (bull's-eye) but not over five (5) shots per target. When multiple shots per target are allowed it must state so in the competition program.

USAS 6.11.3B In USA Shooting sanctioned competitions, the range officer will instruct athletes as to where to place fired targets and my designate when they will be picked up (i.e. after the entire match has been fired, etc.).

6.11.4 Handling 50m Rifle and 50m Pistol Paper Targets

- If **automatic target carriers** or changers are used, the athlete may control target changing or target changing may be controlled by the Register Keeper;
- In either case, the athlete is responsible for shooting on the correct target; and
- If the athlete considers the **marking or target changing to be too slow**, he may report this to the Range Officer. If the

Range Officer or the Jury considers the claim justified, they must correct the situation. If the athlete or a team official considers there is no improvement, the athlete or a team official may protest to the Jury. The Jury may grant a time extension up to a maximum of 10 minutes. Such claims cannot be made in the last 30 minutes of MATCH Firing except in unusual circumstances.

6.11.5 Interruptions in 10m Events, 50m Rifle and Pistol Events and 300m Rifle Events

6.11.5.1 If an athlete must stop firing for **more than three (3) minutes** through no fault of his own and this interruption was not caused by a malfunction of his gun or ammunition, he may demand extra time equal to the amount of time lost, or the time remaining when the interruption occurred, plus one (1) minute, if during the last few minutes of the competition.

6.11.5.2 If an athlete is interrupted for **more than five (5) minutes** through no fault of his own and this interruption was not caused by a malfunction of his gun or ammunition, **or if the athlete is moved to another firing point**, he may have additional unlimited sighting shots at the beginning of his remaining shooting time together with any time extension granted plus an additional five (5) minutes.

- If automatic paper target systems that have no possibility of providing a new sighting target are in use, the sighting shots should be fired on the next unused competition target. Two (2) competition shots should be fired at the next competition targets according to the instructions given by the Range Officer or Jury Members;
- Range Officers or Jury Members must ensure that a complete explanation is recorded on a Range Incident Report; and
- Any **extension of time** allowed by the Jury or Range Officers must be documented, stating the reason on a Range Incident Report.

6.11.6 Infringements and Disciplinary Rules

6.11.6.1 If an athlete begins an event with an **unapproved gun or equipment**, he must be penalized with the deduction of two (2) points from the result of the lowest value shot of the first competition series. He must not be permitted to continue until his gun or equipment has been approved by Equipment Control. He may only resume firing at a time determined by the Jury. No additional sighting shots or extra time will be allowed.

6.11.6.2 If an athlete **alters a gun or equipment** which has already been checked so that it no longer conforms to the rules, before or during the competition, he must be disqualified.

6.11.6.3 If there are any doubts regarding any alteration, the gun or equipment must be returned to Equipment Control for re-inspection.

6.11.6.4 If an athlete **arrives late** for a competition, he may participate but will not be given any extra time. If an athlete arrives after the Preparation and Sighting Time, no additional Sighting time will be given. When it can be proven that an athlete's late arrival was due to circumstances beyond his control, the Jury must grant extra time, including time for Preparation and Sighting if this does not delay the start of the Final or disrupt the overall shooting program. In this case the Jury will determine when and on which firing point the late athlete may start.

(USA Shooting Clarification: USA Shooting is adopting this rule in 2013.)

6.11.6.5 If an athlete's equipment has been passed by Equipment Control, but the athlete is unable to **produce the Equipment Control Card** at the start of the event, the athlete may commence, but will be penalized with a deduction of two (2) points from the lowest value shot of the first series, if he (or his coach or team official) cannot obtain confirmation that the equipment has been previously passed by the Control Section before the official end of the shooting time for that relay of that event. The responsibility rests with the athlete (or his coach or team official) to visit the Equipment Control Section for this purpose. No extra shooting time will be allowed.

6.11.7 Irregular Shots in 10m, 50m and 300m Events

6.11.7.1 Too many shots in an event or position

If an athlete fires more shots in the event or position than are provided for in the program, the extra shot(s) must be annulled on the last competition target(s). If the shot(s) cannot be identified, the highest value shot(s) must be annulled on the last competition target. The athlete must also be penalized by a deduction of two (2) points for each excessive shot fired, deducted from the lowest value shot(s) in the first series.

6.11.7.2 Too many shots per paper target

- If an athlete fires **more shots** at one of his MATCH targets than are provided for in the event, he must not be penalized for the first two (2) shots;
- For the third and all succeeding such misplaced shots he must be penalized by a deduction of two (2) points for the third and subsequent misplaced shots in that event;
- The two (2) point deduction must be taken from the series in which the third or any subsequent misplaced shots occur. He must also fire a fewer number of shots at the remaining targets so that the number of shots does not exceed that provided for in the program;
- The scoring process in this situation requires the transfer of the value of the excessive shot(s) to targets with less than the originally programmed number of shots, thus bringing each target to the full number of shots designated in the

program and the Rules;

- If the actual shot(s) to be transferred cannot be clearly established, the shot(s) with the lowest value must be transferred forward to the next target(s) or the shot(s) with the highest value must be transferred back to the previous target(s) so that the athlete will gain no advantage in a “count back” situation; and
- All three-position Rifle events are considered to be one (1) event.

6.11.8 Crossfires

6.11.8.1 Crossfires of competition shots must be scored as misses.

6.11.8.2 If an athlete fires a Sighting shot on the sighting target of another athlete no penalty is incurred.

6.11.8.3 If an athlete fires a sighting shot on the MATCH target of another athlete, he must be penalized by the deduction of two (2) points from his own score deducted from the first series.

6.11.8.4 If an athlete receives a confirmed crossfire shot and it is impossible to determine which shot is his, he must be credited with the value of the highest undetermined shot.

6.11.8.5 If there are more hits on an athlete’s MATCH target than are provided for in the program, and if it is impossible to confirm that another athlete(s) fired the shot(s), the hit(s) of the highest value must be nullified.

6.11.8.6 If an athlete wishes **to disclaim** a shot on his target, he must report this immediately to a Range Officer.

6.11.8.7 If the Range Officer confirms that the athlete did not fire the disputed shot(s), he must make the necessary entry on a Range Incident Report and on the Range Register and the shot must be annulled.

6.11.8.8 If the Range Officer cannot confirm beyond all reasonable doubt that the athlete did not fire the disputed shot(s), the shot(s) must be credited to the athlete and must be so recorded.

6.11.8.9 The following must be considered as reasons to justify the annulment of a shot:

- If a range official or Register Keeper confirms by his observation of the athlete and the target that the athlete did not fire the shot;
- If a missed shot is reported by another athlete or Register Keeper or other range official at approximately the same time, and from within the neighboring two or three firing points; and
- When using 300m EST, crossfires should not register on the recipient’s target, but an indication will be received at the control center. The firer, whose target does not receive the

expected shot, will be given a miss (zero) and an indication that he has cross-fired.

6.11.9 Disturbances

If an athlete claims that he was disturbed while firing a shot, he must keep his gun pointed downrange and immediately inform the Range Officer or Jury Member. He must not disturb other athletes. If the claim is considered justified, the shot(s) must be annulled and the athlete may repeat the shot(s) or series. If the claim is not considered justified, the shot(s) must be credited to the athlete and he may continue shooting; no penalty will be applied.

6.11.10 Special Competition Regulations

(USA Shooting Clarification: USA Shooting will adopt these Regulations in their entirety.)

- It is not permitted to put any substance on the floor of the Firing Point to gain an unfair advantage or to wipe the firing point without permission;
- It is not permitted to place non-removeable tape or draw lines with a permanent marker on the floor;
- No one may change or modify any range structure or equipment (e.g. bench size, cutting mats, adding gun cases or boxes to the bench, etc.);
- **Smoking** is prohibited in all areas used by athletes and officials as well as in the spectator areas of the ranges;
- The use of mobile telephones, walkie-talkies, pagers or similar devices by athletes, coaches and team officials while within the competition area is prohibited. All mobile phones etc. must be switched **off or placed on silent mode**;
- **Flash** photography is prohibited until after competitions are completed; and
- Notices must be displayed to inform spectators that mobile phones must be placed on silent mode, that smoking is not permitted and that flash photography is prohibited until competitions are completed.

6.12 RULES OF CONDUCT FOR ATHLETES AND OFFICIALS

6.12.1 No type of demonstration or political, religious or racial propaganda is permitted during ISSF Championships.

6.12.2 Each team must have a Team Leader who is responsible for maintaining discipline within the team. An athlete may be appointed as a Team Leader. The Team Leader must cooperate with competition officials at all times in the interest of safety, efficient conduct of the competition and good sportsmanship.

USAS 6.12.2A All competitors are responsible for their actions on or off the range when entered in any USA Shooting sanctioned competition. Any

activity that may place any other competitor at a disadvantage is prohibited.

The Team Leader is responsible for:

- Completing the necessary entries with accurate information and submitting them to appropriate officials within designated time limits;
- Being familiar with the program;
- Having team members report, ready to shoot, at designated firing points, at the correct times, with approved equipment;
- Checking scores and file protests, if necessary;
- Observing preliminary and official bulletins, scores and announcements;
- Receiving official information and requests and pass them on to team members; and
- Representing the team at all official activities.

6.12.3

The Athlete is responsible for:

- Reporting to his firing point, ready to shoot, at the designated firing point at the correct time, with approved equipment;
- Taking his firing position on his designated firing point so that he does not disturb adjacent athletes; and
- Conducting himself so that he does not disturb or adversely affect the performances of other athletes. An athlete whose behavior or actions, in the opinion of the Jury, disturbs other athletes may be given a warning, penalty or disqualification depending upon the circumstances.

6.12.4

Coaching During Any Event

6.12.4.1

In rifle and pistol events, all **types of coaching** while an athlete is on the firing line during Elimination, Qualification or Finals are **forbidden**. While on the firing line, an athlete may speak only with Jury Members or range officials. Coaching during training is permitted, but such coaching must not disturb other athletes.

6.12.4.2

In shotgun events, non-verbal coaching is allowed. *Note: This authorization will be tested and reviewed in 2013 before a final decision is made on retaining this rule.*

USAS 6.12.5.2A

In USA Shooting sanctioned shotgun events, the match director may allow non-verbal coaching. If non-verbal coaching is not to be allowed, it must be clearly stated in the match program or on a Match Director's Bulletin. Any time, non-verbal coaching is allowed in USA Shooting matches, the field referee will be allowed to determine if the coach is being a distraction either to the the athletes or the referee. Upon determining a distraction, the referee has the authority to reposition the the coach to a less distracting location. Further distraction from the same coach will be referred to the Chief Referee for possible penalty under 6.12.6

below. Under any circumstances the athlete must abide by all timing and procedural rules during the round.

6.12.4.3 If an **athlete wishes to speak** with his Coach or Team Official during an Elimination or Qualification, the athlete must unload his gun and leave it in a safe condition on the firing line with the action open and a safety flag inserted. An athlete may leave the firing line only after notifying a Range Officer and without disturbing other athletes.

6.12.4.4 If a coach or team official wishes to speak with a team member on the firing line, the team official must not contact the athlete directly or talk with the athlete while he is on the firing line. The team official must obtain permission from a Range Officer or Jury Member, who will call the athlete off of the firing line.

6.12.4.5 If a team official or athlete violates the rules concerning coaching, a warning must be issued the first time. In repeated cases, two (2) points must be deducted from the athlete's score and the team official must leave the vicinity of the firing line.

6.12.5 Penalties for Rule Violations

6.12.5.1 In cases of the violation of ISSF Rules or the instructions of Range Officers or Jury, the following penalties may be imposed on the athlete by a Jury Member or the Jury.

USAS 6.12.6.1 At USA Shooting sanctioned competitions, warnings may be expressed verbally without showing a card.

- **WARNING.** A warning must be expressed in terms that will leave no doubt that it is a **WARNING** and the yellow card must be shown. However, it is not necessary to precede other penalties with a warning. This must be recorded on a Range Incident Report and noted on the Range Register. A warning may be given by an individual Jury Member;
- **DEDUCTION.** Deduction of points from the score, expressed by a minimum of two (2) Jury Members, showing a green card with the word **DEDUCTION**. This must be recorded on a Range Incident Report Form, marked on the printer strip, and noted on the Range Register. A deduction may be given by an individual Jury Member; and
- **DISQUALIFICATION.** The disqualification of an athlete is expressed by the Jury by showing a red card with the word **DISQUALIFICATION**. An athlete must be disqualified for failure to pass a post-competition check when the result of the check is confirmed by one Jury Member (6.7.9.3).

A disqualification for any other reason may only be given by decision of a majority of the Jury.

- In the case of a disqualification in a Finals, the athlete will be ranked in the last place among participating Finalists, but may retain his Qualification score; and
- Penalties should be expressed both with a verbal explanation

and with the display of yellow, green or red cards. The size of penalty cards should be approximately 70 mm x 100 mm.

6.12.6

Infringements Should be Graded by the Jury

- In the case of an **open violation** of the Rules, a **WARNING** must first be given so the athlete may have an opportunity to correct the fault. Whenever possible, the warning should be given during training or the Preparation and Sighting Time. If the athlete does not correct the fault as instructed by the Jury, two (2) points must be deducted from his score. If the athlete still does not correct the fault after receiving a warning, disqualification must be imposed;
- In the case of a **concealed violation** of the Rules, when the fault is deliberately concealed, disqualification must be imposed;
- If, when asked to give an explanation for an incident, an athlete consciously and knowingly gives **false information**, two (2) points must be deducted or in serious cases, disqualification may be imposed; and
- If the Jury determines that an athlete has handled a gun or violated a safety rule in a **dangerous manner**, the athlete must be disqualified.

6.13

MALFUNCTIONS

6.13.1

A malfunction occurs when a gun fails to fire a projectile when the trigger is pulled.

6.13.2

Malfunctions may be either ALLOWABLE OR NON-ALLOWABLE.

ALLOWABLE MALFUNCTIONS ARE:

- A cartridge fails to fire;
- A bullet or pellet is lodged in the barrel; or
- The gun fails to fire or function properly and the trigger mechanism has been released

NON-ALLOWABLE MALFUNCTIONS are:

- The athlete has opened the action of his gun;
- The safety was engaged;
- The athlete did not properly load his gun;
- The athlete did not pull the trigger; or
- The malfunction is due to any cause that could reasonably have been corrected by the athlete.

6.13.3 If an athlete has a **gun or ammunition malfunction**, he may repair it and continue shooting or, if the malfunction was an ALLOWABLE Pistol malfunction, he may repair it or continue shooting with another pistol that has been approved by Equipment Control, provided the Jury approved the change. If a rifle becomes disabled and cannot readily be repaired, the athlete may replace the disabled rifle with another rifle that has been approved by Equipment Control provided the Jury approves the change.

6.13.4 No extra competition time is allowed to repair or replace a gun after any malfunction in 10m, 50m and 300m Rifle or Pistol Elimination or Qualification Rounds, but the Jury may allow an athlete to fire additional sighting shots after repairing a malfunctioning gun if the malfunction was ALLOWABLE.

6.13.5 Specific rules concerning malfunctions in 25m Pistol events are found in Rule 8.9.3.

6.13.6 Specific rules concerning malfunctions in Finals are found in Rules 6.17.2, 6.17.3, 6.17.4 and 6.17.5.

6.13.7 Range Officers or Jury Members must ensure that malfunctions are documented on Range Incident Reports and in the Range Register.

6.14 SCORING AND RESULTS PROCEDURES

6.14.1 The Classification Office must publish Preliminary Results on the Range Scoreboard as soon as possible after each relay and stage and completion of each event.

6.14.2 Final Results must be published on the Main Scoreboard after the Protest time has expired.

6.14.3 The Official Results Book for each Championship must contain:

- A table of contents;
- A Results Certification Page to be signed by the Technical Delegate(s) and all Jury Chairmen;
- A list of Competition Officials;
- A list of Entries by Nation and by event;
- The Competition Schedule;
- A list of Medalists by name;

- A list of Medals by Nation by number;
- A list of New and Equaled Records; and
- All Final Results in the standard ISSF order of events (Men – rifle 300m, 50m and 10m, pistol 50m, 25m and 10m, shotgun trap, double trap and skeet, running target 50m and 10m; Women – same order; Men Junior – same order; Women Junior – same order).

6.14.3.1 These lists must contain the full names as used in the ISSF ID Numbers: Family name (in capital letters), full given name (first letter only capitalized), Bib Numbers and the Nation (official IOC abbreviation) of each athlete.

6.14.3.2 The following abbreviations must be used in results lists when appropriate:

DNF	Did not Finish
DNS	Did not Start
DSQ	Disqualified
WR	New World Record
EWR	Equaled World Record
FWR	New Final World Record
EFWR	Equaled Final World Record
WRJ	New World Record Junior
EWRJ	Equaled World Record Junior
OR	New Olympic Record
EOR	Equaled Olympic Record
FOR	New Final Olympic Record
EFOR	Equaled Final Olympic Record

6.14.4 The requirement that three copies of the official results lists be sent to ISSF Headquarters after each Championship (Rule 3.7.5.3) may be fulfilled electronically by the ISSF Official Results Provider.

USAS 6.14.4A Rule 6.14.4 does not apply at USA Shooting sanctioned competitions.

USAS 6.14.4B Within 30 days of completion of USA Shooting sanctioned competitions, the Match Director will send fees and scores to the Competitions Manager, USA Shooting.

6.14.5 The **Classification Jury** must supervise the scoring and all work done in the Classification Office and, when paper targets are used, on the 25 meter target line. It directs how questionable shots are scored, determines their value, and resolves any questions or scoring protests. The official final results list must be verified and signed by a Member of the Classification Jury to confirm its accuracy.

6.14.6 When **ESTs** are used, many scoring functions are undertaken by the electronic equipment, however, the Classification Jury must resolve any questions or protests relating to scoring.

- 6.14.7** All irregularities, penalties, misses, malfunctions, extra time allowed, repeated shots / series or the annulment of shots, etc., must be clearly marked and recorded on a **Range Incident Report** and the Range Register, printer strip (or on the target or scorecard when paper targets are used) by a Range Officer and/or Jury Member. Copies of completed **Range Incident Reports** (Form IR) must immediately be forwarded to the Classification Office. At the end of each competition, the Classification Jury must examine the results to confirm that all malfunction calculations and any penalties are correctly recorded in the results list.
- 6.14.8** **Deductions from the score** must always be made in the series in which the violation occurred. If general deductions are involved they must be made from the lowest value competition shot(s) in the first series of the stage where the deduction applies.
- 6.14.9** When any World Record is established in an ISSF Championship, the report **Procedures for Verification of World Records** (Rule 3.12.3.6, Annex R) must be completed and forwarded to ISSF Headquarters by the Technical Delegate.
- 6.14.10** **Paper Target Scoring Procedures**
- When paper targets are used for the following events, those targets must be scored in the Classification Office:
- 10m, 50m and 300m Rifle events;
 - 10m and 50m Pistol events;
 - 10m and 50m Running Target events; and
 - All results in these events or stages that are scored at the shooting range are considered preliminary results.
- 6.14.10.1** All targets for events to be scored in the Classification Office must be transported in a locked container from the target line to the Classification Office under suitable security immediately after they have been fired.
- 6.14.10.2** Competition targets for events that are scored in the Classification Office must be numbered and must agree with the scorecard. The Classification Office is responsible for the correct numbering of the targets and must verify the targets prior to every event before they are released to the Chief Range Officer or other range officials.
- USAS 6.14.10.2A** At USA Shooting sanctioned competitions the targets may be used as the scorecard.
- 6.14.10.3** In the Classification Office, the following scoring procedures must be checked by a second official:
- Determining the value of individual shots;
 - Determining and counting inner tens;
 - Adding shot values or points to be deducted;

- Adding the individual series and overall total; and Each official must certify his work by initialing the target, scorecard or results list.

6.14.10.4 Independent of the results determination, the Classification Jury must examine the 10 best individual and the 3 best team results prior to the publication of the final results list.

6.14.11 Determining Shot Values – Paper Targets

6.14.11.1 All bullet holes are scored according to the highest value of any target scoring zone or ring that is hit or touched by that bullet hole. If any part of a higher value scoring ring is touched by a bullet hole, the shot must be scored the higher value of the two scoring zones. This is determined by whether the bullet hole or a plug gauge inserted in the hole touches any part of the outside edge of the scoring ring.

An exception to this Rule is the scoring of inner tens on the air rifle target.

USAS 6.14.11.1A Another exception to this rule is the scoring of tens and inner tens on the 50 foot rifle target.

6.14.11.2 Shots in dispute must be determined as to value by means of a gauge or other device. Gauges must always be inserted into the shot hole with the target in a horizontal position.

USAS 6.14.11.2A Gauges meeting USA Shooting specifications may be used in sanctioned competitions.

6.14.11.3 When the accurate use of the plug gauge is made difficult by the close proximity of another bullet hole, a badly torn bullet hole or overlapping bullet holes, the shot value must be determined by using a flat, transparent material with an engraved ring of the appropriate size on it. Such a scoring gauge will aid in reconstructing the true position of a bullet hole and scoring ring.

6.14.11.4 If two scoring officials do not agree on the value of a shot, a decision from the Jury must be requested immediately.

USAS 6.14.11.4A In USA Shooting sanctioned competitions, a third qualified scorer or scoring supervisor or jury member may resolve the question of shot value.

6.14.11.5 The plug gauge may be inserted only once in any bullet hole and only by a Jury Member. For this reason the use of a gauge must be marked on the target by the scoring officials, together with their initials, and showing the result.

6.14.12 25m Scoring Procedures -- Paper Targets

The Jury must supervise all scoring procedures. The scorecard (kept by the Second Register Keeper) must be signed by the Target Officer and the Target Line Jury Member. This original card must be sent to the Classification Office by a secure means, for

verification of addition and final recording.

USAS 6.14.12A

In USA Shooting sanctioned competitions other than National Championships and Selection Matches, the targets may be scored and repaired after each 10 shot double series.

USAS 6.14.12B

When non-mechanical paper target systems are used in Selection Matches, the targets may be scored and repaired after each 10 shot double series.

6.14.12.1

Skid Shots

Shots fired while the target is in motion must not be scored as hits unless the greatest horizontal dimension of the bullet hole (surface lead/bullet marking on the target is ignored) is less than 7.0 mm in the 25m rimfire 5.6 mm (.22" cal.) events, or 11.0 mm in the 25m Center Fire Pistol Event; and The horizontally elongated bullet hole in the target must be measured with a skid gauge. When the inside edge of the engraved lines on the skid gauge touches a scoring ring, the score will count as the higher value of the two zones

Shots fired while the target is in motion must not be scored as hits unless the greatest horizontal dimension of the bullet hole (surface lead/bullet marking on the target is ignored) is less than 7.0 mm in the 25m rimfire 5.6 mm (.22" cal.) events, or 11.0 mm in the 25m Center Fire Pistol Event; and The horizontally elongated bullet hole in the target must be measured with a skid gauge. When the inside edge of the engraved lines on the skid gauge touches a scoring ring, the score will count as the higher value of the two zones

6.14.12.2

As soon as the Target Officer receives the signal that the range is safe, the targets must be faced. The Target Officer, along with at least one Jury Member, must signal the values of the bullet holes on each target and call them loudly to the Register Keeper on the firing line. The Register Keeper records them on the Range Register and/or on the small scoreboard near his desk. The Second Register Keeper must accompany the Target Officer and record the shot values on a scorecard. The position and value of the shot on the target must be indicated to the athlete and spectators as follows:

- By using colored spotting discs in the 25m Rapid Fire Pistol Event: These discs should have a diameter of 30 mm to 50 mm. They must be colored red on one side and white on the other. They should have a spindle through the center of the disc extending on both sides of approximately 5 mm diameter and 30 mm in length. After every five (5) shot series, and after the value of the shots has been decided and called, the discs must be placed in the bullet holes by the Target Officer;
- A ten must be indicated with the red side facing the athlete. Values less than ten must be indicated with the white side facing the athlete. After the hits have been indicated in this

manner, the total result for the series must be shown the small scoreboard near his desk, and recorded by the Second Register Keeper. The series total must also be announced. The discs must then be removed and the targets patched;

- In the 25m Standard Pistol, 25m Pistol and 25m Center Fire Pistol Events, shot values and locations are indicated by means of a wand with a handle approximately 300 mm long and with a small disc on one end with a diameter of 30 mm to 50 mm, colored red on one side and white on the other. The disc must be placed over the bullet hole(s) in the ten ring with the red side facing the athlete, as the Target Officer calls the value of the hit(s). For bullet holes with a value less than ten, the white side must be shown. Where a series of shots are fired at the same target, the scores should be called commencing with the tens. The total for the series should be called after all shots have been indicated individually; and
- Sighting shots must be indicated and recorded.

6.14.12.3

The Target Officer and the Range Officer must verify that the results on the scoreboard are the same as recorded at the Target Line. Should there be any difference of opinion regarding the recording of a shot value, the matter must be resolved immediately.

6.14.12.4

As soon as shots are indicated and recorded:

- The targets must be patched and made ready for the next series (Rapid Fire Pistol Event and Rapid Fire Stages); or
- The targets must be replaced and the Backing Targets patched or replaced for the next series; or
- The targets and Backing Targets must be removed and replaced with new targets for the next athlete.

6.14.12.5

Before leaving the range, the athlete should sign the completed scorecard next to the score total to identify his score.

6.15

TIE-BREAKING

6.15.1

Individual Ties in 300m, 50m, 25m and 10m Events

All tied scores will be broken-for 300m, 50m, 25m and 10m events by applying the following Rules:

- The highest number of inner tens;
- The highest score of the last ten (10) shot series working backward by 10-shot series in full ring scoring (not inner tens or decimals) until the tie is broken;
- If any ties remain, scores will be compared on a shot-by-shot basis using inner tens (i. e. an inner ten outranks a 10 that is not an inner ten) beginning with the last shot, then the next to the last shot, etc.;
- If any ties remain, and EST are used, scores will be

compared on a shot-by-shot basis using decimal ring scores beginning with the last shot, then the next to the last shot, etc.;

- If any ties remain, the athletes must have the same ranking and must be listed in Latin alphabetical order using the athlete's family name unless there is a tie to enter the Finals; and
- IF DECIMAL SCORING IS USED for 10m Air Rifle or 50m Rifle Prone Elimination or Qualification events, ties will be broken by the highest score of the last ten shot series, etc. (decimal scores) and then by comparing decimal scores on a shot-by-shot basis beginning with the last shot, then the next to the last shot, etc.

USAS 6.15.1A

At USA Shooting sanctioned competitions where paper targets are used, tie breaking using 6.15.1, first bullet, should not be implemented. The following will be used:

- the highest score of the last ten shot series working backward by 10 shot series in full ring scoring (not inner tens or decimals) until the tie is broken;
- the highest number of 10's, 9's, 8's, etc.;
- if any ties remain, the athletes must have the same ranking and must be listed in Latin alphabetical order using the athlete's family name.

USAS 6.15.1B

In USA Shooting sanctioned "aggregate" events (more than one course of fire for the competition), the breaking of multiple course aggregate ties will be accomplished as follows, in the order listed:

- By comparison of each course beginning with the last course score and working backward until the tie is broken
- Then follow USAS 6.15.1A above

6.15.2 Ties in 25m Events without Finals

- If two or more athletes have equal scores tied for the first three places this must be decided by a Shoot-off (see Rules for Shoot-offs in 25m events); and
- When several athletes are tied for more than one ranking place, the tie for the lowest ranking position will be broken first, followed by the next ranking higher position until all ties are broken.

6.15.3 Ties in Shotgun Events (see Shotgun Rules, 9.15)

6.15.4 Ties in Running Target Events (see Running Target Rules, 10.12)

6.15.5 Ties in Olympic Events with Finals

If there is a tie to be eligible for the Finals from the Qualification Round, the tie will be broken by Rule 6.15.1.

6.15.6 Shoot-offs for Ties in 25m events without Finals

Tied athletes will be allocated new firing points on the Qualification range through the drawing of lots by the Jury. If more athletes are tied than target groups are available, the firing sequence will also be determined by the drawing of lots.

6.15.6.1 Shoot-off: Preparation time two (2) minutes:

Event	Sighting series	Shoot-off series
25m Rapid Fire Pistol	one (1) four (4) second series	one (1) four (4) second series
25m Pistol 25m Center Fire Pistol	one (1) five (5) shot series in the rapid fire course	one (1) five (5) shot series in the rapid fire course
25m Standard Pistol	five (5) sighting shots in a 150 seconds series	one (1) 10 seconds series

6.15.6.2 In the event of a **further tied score**, a second Shoot-off consisting of **one** (1) series must be fired. If the tie is still not broken, the Shoot-offs will continue until all ties are broken.

6.15.7 Ties in Team Events

Ties in team events must be decided by totaling the results of all members of a team and following the procedures for breaking individual ties.

6.16 PROTESTS AND APPEALS

6.16.1 All Protests and Appeals are to be decided in accordance with ISSF Rules.

6.16.2 Written Protests and Appeals must be submitted on the **ISSF Protest Form** (see Protest Form at 6.18).

6.16.3 A **Protest Fee** must be paid as follows:

- Protest: Euro 50.00;
- Appeal of Protest Decision: Euro 100.00;
- The Protest Fee becomes payable when a completed Protest Form is delivered to a Jury Member and must be paid to the Jury Member or Organizing Committee as soon as possible; and
- Protest fees must be returned if the Protest or Appeal is upheld, or will be retained by the Organizing Committee if the Protest or Appeal is denied.

USAS 6.16.3A Protest fee in a USA Shooting sanctioned match: \$25.00

Decisions by the jury are final. There is not an appeals process in USA Shooting sanctioned competitions.

6.16.4 Verbal Protests

6.16.4.1 Any athlete or team official has the right to protest a condition of the competition, decision or action immediately and verbally to a

Referee, Range Officer or Jury Member. Such protests may be submitted on the following matters and the protest fee becomes payable:

- An athlete or team official considers that the ISSF Rules or the competition program were not followed in conducting the competition;

USAS6.16.4.1A

Or USA Shooting Rules.

- An athlete or team official does not agree with a decision or action by a competition official, Referee, Range Officer or Jury Member;
- An athlete was impeded or disturbed by other athlete(s), competition official(s), spectator(s), member(s) of the media or other person(s) or cause(s);
- An athlete had a long interruption in shooting caused by range equipment failure, the clarification of irregularities or other cause(s); and
- An athlete had irregularities regarding shooting times, including shooting times that were too short.

6.16.4.2

Referees, Range Officers and Jury Members must consider verbal protests immediately. They may take immediate action to correct the situation or refer the protest to the full Jury for decision. In such cases, a Referee, Range Officer or Jury Member may stop the shooting temporarily if necessary.

6.16.5

Written Protests

Any athlete or team official who does **not agree** with the action or decision taken on a **verbal protest** may protest in writing to the Jury. Any athlete or team official also has the right to submit a **written protest** without making a verbal protest. All written protests must be submitted to a member of the appropriate Jury not later than 20 minutes after the matter in question and the protest fee becomes payable.

6.16.6

Scoring Protests

Decisions by the Classification Jury on the value or the number of shots on a target are final and may not be appealed.

USAS 6.16.6A

The jury appointed for USA Shooting sanctioned competitions may function as a classification jury or a separate classification jury may be appointed.

6.16.6.1

Scoring Protest Time

All scoring or results protests must be submitted within **10 minutes** after preliminary results are posted on the Range Scoreboard (Rule 6.4.2 e). The time when the Scoring Protest Time ends must be shown on the Range Scoreboard, when preliminary results are posted. The location to which any score protest must be made must be published on the official program.

6.16.6.2

EST Score Protests

If an athlete **protests the value of an indicated shot** on an EST, the protest will only be accepted when it is made before the next shot or series (25m events) is fired or within three (3) minutes after the last shot, however, this requirement does not apply in case of a failure of the paper or rubber band to advance or other target failures.

- If a protest is made concerning the value of a shot, the athlete will be requested to fire another shot at the end of the competition, so that this extra shot may be counted if the protest is upheld and the correct value of the disputed shot cannot be determined;
- If the Classification Jury determines that a protested shot scores within two (2) decimal rings of the value of an indicated shot, the protest must not be upheld;
- If the protest concerning a shot value, other than zero (0) or failure to register, is not upheld, a two (2) point penalty from the score of the disputed shot will be awarded and the protest fee must be paid;
- The team official or athlete has the right to know the resolution of the disputed shot; and
- Shots on 50m EST with an indicated value of 9.5 or higher may not be protested in Elimination or Qualification Rounds; and
- Score protests regarding the value or number of shots are not permitted in Finals (Rule 6.17.1.6).

6.16.6.3

Paper Target Protests

- When using paper targets, an athlete or team official who considers that a shot was scored or recorded incorrectly may protest that score, except that decisions made regarding the value of shots by using gauges are final and cannot be protested. A protest can only be made for a specific shot. Should other shots be protested, a separate fee is payable;
- Scoring protests may only be made on scores that have been decided without using a gauge or when incorrect entries in the result list or score card appear to have been made;
- The protest fee must be paid when the protest is made; and
- When paper targets are used and scored in the Classification Office, the team official or athlete has a right to see the protested shot hole(s), but is not permitted to touch the target(s).

USAS 6.16.3A

At USA Shooting sanctioned competitions using paper targets, a fee of not more than \$5.00 may be charged by the organizing

committee for scoring protests. If the protest is upheld, the fee will be refunded.

USAS 6.16.3B

At USA Shooting sanctioned competitions, competitors may be allowed to touch their targets under supervision during the challenge period.

6.16.7

Appeals

If there is a disagreement with a Jury decision, the matter may be appealed to the Jury of Appeal, except that decisions by a Finals Protest Jury (6.17.1.10 d) may not be appealed. Such appeals must be submitted in writing by the Team Leader or a representative not later than 30 minutes after the Jury decision has been announced. **The decision of the Jury of Appeal is final.**

6.16.8

Copies of all decisions regarding written protests and appeals must be forwarded by the Technical Delegate(s) to the ISSF Secretary General together with his Final Report for review by the appropriate Section and Technical Committees.

USAS 6.16.8A

Copies of all decisions in response to written protests at USAS sanctioned events must be forwarded to USA Shooting by the Organizing Committee upon completion of the event.

6.17

FINALS IN OLYMPIC RIFLE AND PISTOL EVENTS

6.17.1.1

General Finals Competition Procedures.

(USA Shooting Clarification: USA Shooting will be using the new Final format for National Championship and Selection Matches. Currently, the dropping of the qualification score is under review and may or may not be used for Selection Matches. Any Final format not matching the format outlined below will be clearly outlined in the Match Program. It is recommended that clubs and sanctioned matches use the new format so that athletes become accustomed to the new format.)

6.17.1.2

Qualification for Finals. The full program (Rule 3.3.2) must be fired in each Olympic Event as a Qualification for Finals. The eight (8) highest-ranking athletes in the Qualification advance to the Finals, except in 25m Rapid Fire Pistol Men, the six (6) highest-ranking athletes advance.

6.17.1.3

Start Positions and Bib Numbers. Starting positions in Finals are assigned according to the athletes' Qualification ranking and new Bib Numbers (1-8 or 1-6) are issued. The firing points should be labelled A-B-C-D-E-F-G-H. The reserve targets should be labelled R1 and R2.

6.17.1.4

Reporting and Start Time. The Start Time for Finals is when the CRO begins the commands for the first MATCH shot/series. Athletes must report to the Preparation Area for Finals at least 30 minutes before the Start Time. A two (2) point/hit penalty will be deducted from the score of the first MATCH shot/series if the athlete does not report on time. Athletes must report with their

equipment including sufficient ammunition to complete a Finals, competition clothing and a national team uniform that is appropriate for wear in the awards ceremony. The Jury must confirm that all finalists are present and that their names and nations are correctly recorded in the results system and on the scoreboards. Juries must complete equipment checks during the reporting period as soon as possible after the athlete reports.

- 6.17.1.5** **Late Arrival.** Any finalist who does not report to the Preparation Area within 10 min. after the Reporting Time may not start and will be recorded as the first eliminated athlete and shown as DNS. If a finalist does not report, the first elimination will begin with the seventh place, or fifth place for a 25m Rapid Fire Pistol Men Finals.
- 6.17.1.6** **Scoring.** Qualification scores entitle an athlete to a place in the Finals, but do not carry forward. Finals scoring starts from zero (0) in accordance with these rules. A deduction or penalty must be applied to the score of the MATCH shot/series where the violation occurred. No score below zero (0) will be recorded (e.g. 3-1 point deduction = 2, 0-1 point deduction = 0).
- 6.17.1.7** **Malfunctions, 10m and 50m Finals.** If an athlete has an ALLOWABLE MALFUNCTION (Rule 6.13.2) during a single shot, a maximum of one (1) min. will be given to repair the malfunction or replace the gun, after which the athlete will be directed to refire the shot. If an athlete claims an ALLOWABLE MALFUNCTION in a 3-shot or 5-shot series and the malfunction can be repaired or the gun replaced within one (1) min., any shots fired in that series will be counted and the athlete will be permitted to continue the series with additional time equal to the time required to repair the malfunction, but not exceeding one (1) min.
- 6.17.1.8** **Score Protests.** Score protests regarding the value or number of shots are not permitted in Finals.
- 6.17.1.9** **EST Complaints.** If an athlete complains that his target failed to register a shot during sighting shots, the athlete will be directed to fire another shot at that target. If that shot registers, the Finals will continue. If that shot does not register or if there is a complaint regarding the failure of a paper/rubber strip to advance, the CRO must command “**STOP...UNLOAD**” for all finalists and the athlete with the malfunctioning target must be moved to a spare target or the malfunctioning target must be repaired or replaced. As soon as that athlete has a functioning target, the CRO will give all finalists two (2) minutes preparation time and then restart the Preparation and Sighting Time for that Finals. After commands for the first MATCH shot/series start, no further complaints regarding malfunctioning targets may be made. If there is a complaint concerning an unexpected zero (0), the Competition Jury must determine the proper actions to take.
- 6.17.1.10** **Finals Range Equipment.** Finals Ranges must be equipped with an LCD scoreboard system, a count-down clock visible to finalists and a speaker system. Chairs must be provided for Jury Members

on duty, Range Officers, coaches and eliminated athletes.

6.17.1.11

Finals Officials. The conduct and supervision of Finals shall be done by the following personnel:

- **CRO.** An experienced Chief Range Officer with an ISSF A or B license must conduct Finals;
- **Competition Jury.** The Competition Jury shall supervise the conduct of Finals. The Jury Chairman must designate himself or one Jury Member as the Jury Member-in-Charge;
- **Classification Jury.** One member of the Classification Jury must be present to oversee the Finals results process;
- **Finals Protest Jury.** One member of the Jury of Appeal, the Jury Member-in-Charge and one other member of the Competition Jury, as designated by the Technical Delegate and Jury Chairman, shall decide protests if any are made during Finals; no appeals are permitted;
- **Range Officer (RO).** One experienced Range Officer will assist the CRO by checking guns for safety and handling any malfunction claims during Finals;
- **Technical Officer(s).** The Official Results Provider appoints the Technical Officer(s) to prepare and operate the ESTs and the graphic display of results and to consult with the Juries regarding any technical problems; and
- **Announcer.** An official designated by the ISSF or Organizing Committee shall work with the CRO and be responsible for introducing Finalists, announcing scores and providing information to spectators.

USAS 6.17.1.12A At USA Shooting sanctioned competitions, announcers are not required.

6.17.1.12

Presentation of Finalists. After the Sighting Period or Series, all finalists must place their guns down and turn to face the audience, except that in Rifle 3 Positions Finals, finalists may remain in position. The Announcer will introduce finalists by giving the name, nation and brief information about each Finalist. The Announcer will also introduce the CRO and Jury Member-in-Charge.

6.17.1.13

Finals Procedures and Rules. ISSF General Technical Rules or Technical Rules for each event must apply in all cases not covered by this Rule (6.17).

NOTE: Timings given in these rules are provided as guidelines. For exact timings, check the document "Commands and Announcements for Finals" that is available from ISSF Headquarters.

6.17.1.14

Presentation of Medalists. After the CRO declares "RESULTS ARE FINAL", the Announcer must immediately recognize the medal winners by announcing:

“THE GOLD MEDAL WINNER, WITH A TOTAL SCORE OF (SCORE), FROM (NATION), IS (NAME)”

“THE SILVER MEDAL WINNER, WITH A TOTAL SCORE OF (SCORE), FROM (NATION), IS (NAME)”

“THE BRONZE MEDAL WINNER, WITH A TOTAL SCORE OF (SCORE), FROM (NATION), IS (NAME)”

6.17.2 FINALS – 10M AIR RIFLE AND AIR PISTOL MEN AND WOMEN, 50M PISTOL MEN, 50M RIFLE PRONE MEN

<p>FINALS FORMAT</p>	<p>The Finals consists of two (2) series of three (3) MATCH shots each fired in a time of 150 sec. per series or 100 sec. per series for 50m Rifle Prone (3 + 3 shots). This is followed by fourteen (14) single MATCH shots each fired on command in a time of 50 sec. or 30 sec. for 50m Rifle Prone. Eliminations of the lowest scoring finalists begin after the eighth shot and continue after every two shots until the gold and silver medals are decided. There are a total of twenty (20) Finals shots.</p>
<p>SCORING</p>	<p>Scoring in Finals is done with tenth-ring (decimal) scoring for the respective target. Cumulative total scores in Finals determine final rankings, with ties broken according to shoot-off scores. Deductions for violations occurring before the first MATCH shot will be applied to the score of the first MATCH shot. Deductions for other penalties will be applied to the score of the shot where the violation occurred.</p>
<p>EQUIPMENT SET-UP TIME 20:00 min before</p>	<p>Athletes or athletes’ coaches must be allowed to place guns and equipment on the firing points not less than 20 min. before the Start Time. Gun cases and equipment containers must not be left on the FOP.</p>
<p>RIFLE WARM-UP PERIOD 18:00 min before</p>	<p>The CRO will call athletes to the firing line eighteen (18) minutes before the start time by commanding “ATHLETES TO THE LINE.” After two (2) min., the CRO will start a combined Preparation and Sighting Time by commanding “EIGHT MINUTES PREPARATION AND SIGHTING TIME...START.” During this time, finalists may fire unlimited sighting shots. At 30 sec. before the end of the Preparation and Sighting Time, the CRO will command “30 SECONDS.” After eight (8) minutes, the CRO will command “STOP...UNLOAD.” No score announcements are made during sighting shots. After the commands STOP...UNLOAD, Finalists must unload their rifles, insert safety flags, lay them down or place them on the bench and turn to face spectators for the presentation. A Range Officer must verify that gun actions</p>

	are open with safety flags inserted.
PISTOL WARM-UP PERIOD 13:00 min before	<p>The CRO will call athletes to the firing line thirteen (13) minutes before the start time by commanding “ATHLETES TO THE LINE.”</p> <p>After two (2) min., the CRO will start a combined Preparation and Sighting Time by commanding “FIVE MINUTES PREPARATION AND SIGHTING TIME...START.” During this time, finalists may fire unlimited sighting shots.</p> <p>At 30 sec. before the end of the Preparation and Sighting Time, the CRO will command “30 SECONDS.”</p> <p>After five (5) minutes, the CRO will command “STOP...UNLOAD.”</p> <p>No score announcements are made during sighting shots. After the command “STOP...UNLOAD,” finalists must unload their pistols, insert safety flags and place them on the bench and turn to face spectators for the presentation. A Range Officer must verify that gun actions are open with safety flags inserted.</p>
PRESENTATION OF FINALISTS 5:00 min. before	After finalists’ guns are checked, the Announcer will introduce the athletes, CRO and Jury Member-in-Charge according to Rule 6.17.1.11.
FINAL SIGHTING TIME (RIFLE ONLY)	<p>Immediately after the presentation, the CRO will command “TAKE YOUR POSITIONS. “ After 30 sec., the CRO will command “FINAL SIGHTING TIME...START.”</p> <p>At 30 sec. before the end of the sighting time, the CRO will command “30 SECONDS.”</p> <p>After two (2) min., the CRO will command “STOP.” The Technical Officer must clear the targets for competition firing at this time.</p>
FINAL PREPARATION TIME (PISTOL ONLY)	<p>Immediately after the presentation, the CRO will command “TAKE YOUR POSITIONS.”</p> <p>The targets and scoreboard must be cleared for MATCH shots.</p> <p>After 60 sec., the CRO will begin commands for the first MATCH series.</p>

<p>1st COMPETITION STAGE</p> <p>2 X 3 Shots</p> <p>Time limit: 150 sec. for each series</p> <p>Competition firing starts at 0:00 min.</p>	<p>The CRO will command “FOR THE FIRST COMPETITION SERIES...LOAD.” After 5 sec., the CRO will command “START.”</p> <p>Finalists have 150 sec. to fire three (3) shots. A countdown clock displaying the time remaining in seconds should be shown on the finalists’ target monitors. If a countdown clock is not visible to each finalist on his firing point, the CRO must announce “TEN” and “FIVE” to indicate the time remaining in each series.</p> <p>At 150 sec. (100 sec. for prone) or after all finalists have fired three shots, the CRO will command “STOP.”</p> <p>Immediately after the command “STOP,” the Announcer will give 15-20 sec. of comments on the current ranking of the athletes and notable scores. Individual shot scores are not announced.</p> <p>Immediately after the Announcer finishes, the CRO will command “FOR THE NEXT COMPETITION SERIES, LOAD.”</p> <p>After 5 sec., the CRO will command “START.”</p> <p>At 150 sec. (100 sec. for prone), or after all finalists have fired three shots, the CRO will command “STOP.” The Announcer will again comment on the athletes and their scores and explain that single shots will begin and that after each second shot, the lowest ranking finalist will be eliminated.</p>
<p>2nd COMPETITION STAGE</p> <p>SINGLE SHOTS</p> <p>14 x 1 Shot</p> <p>Time limit: 50 sec. (30 for prone) for each shot</p>	<p>Immediately after the Announcer finishes, the CRO will command “FOR THE NEXT COMPETITION SHOT, LOAD.” After 5 sec., the CRO will command “START.”</p> <p>Finalists have 50 sec. (30 sec. for prone) to fire each shot.</p> <p>At 50 sec. (30 sec. for prone), the CRO will command “STOP” and the Announcer will give comments about the Finalists and their scores.</p> <p>Immediately after the Announcer finishes, the CRO will command “FOR THE NEXT COMPETITION SHOT, LOAD.” After 5 sec., the CRO will command “START.”</p> <p>This sequence will continue until 20 total shots, including 14 single shots, are fired. At the end of the 20th shot, the CRO will command “STOP...UNLOAD.” A Range Officer must verify that gun actions are open with safety flags inserted.</p>

<p>ELIMINATIONS</p>	<p>After all Finalists have fired eight (8) shots, the lowest ranking athlete is eliminated (8th place). The lowest ranked finalists will continue to be eliminated as follows:</p> <p>After 10 shots – 7th place After 12 shots – 6th place After 14 shots – 5th place After 16 shots – 4th place After 18 shots – 3rd place (bronze medal winner is decided) After 20 shots – 2nd and 1st places (silver and gold medal winners are decided)</p> <p>When a finalist is eliminated, he must unload his rifle or pistol, insert a safety flag, lay it down and step back from the firing point. A Range Officer must verify that the gun is safe.</p>
<p>TIE-BREAKING</p>	<p>If there is a tie for the lowest ranking athlete to be eliminated, the tied athletes will fire additional tie-breaking single shots until the tie is broken.</p> <p>For the tie-breaking shot, the CRO will immediately announce the family names of the tied athletes and command them to fire the tie-breaking shots with the normal firing procedure. The Announcer will make no comments until the tie is broken.</p>
<p>FINALS COMPLETION</p>	<p>After the two (2) remaining finalists fire their 20th shots, and if there are no ties and no protests, the CRO will declare “RESULTS ARE FINAL.”</p> <p>The Announcer will immediately recognize the gold, silver and bronze medal winners (Rule 6.17.1.13).</p>

6.17.3

FINALS – 50M RIFLE 3 POSITIONS MEN AND WOMEN

<p>FINALS FORMAT</p>	<p>The Finals consists of 15 MATCH shots in each position, kneeling, prone and standing, fired in that order. The Finals starts with 3 x 5 shots kneeling with a time limit of 200 sec. per series. After a seven (7) min. Changeover and Sighting Time, finalists fire 3 x 5 shots prone with a time limit of 150 sec. per series. After a nine (9) min. Changeover and Sighting period, finalists fire 2 x 5 shots standing in 250 sec. per series. The two lowest ranking finalists are eliminated after 10 (2 x 5) shots standing. The Finals continues with five (5) single shots in standing, each in 50 sec., with the lowest ranking athlete being eliminated after each shot until two athletes remain to fire the last shot and decide the gold medal winner. There are a total of 45 Finals shots.</p>
-----------------------------	---

<p style="text-align: center;">SCORING</p>	<p>Scoring is done with tenth-ring (decimal) scoring. Cumulative total scores in the Finals determine final rankings, with ties broken according to shoot-off scores.</p> <p>Deductions for violations occurring before the first competition shot will be applied to the score of the first competition shot. Deductions for other penalties will be applied to the score of the shot where the violation occurred.</p>
<p style="text-align: center;">EQUIPMENT SET-UP TIME</p> <p style="text-align: center;">20:00 min before</p>	<p>Athletes or athletes' coaches must be allowed to place rifles and equipment on the firing points not less than 20 min. before the Start Time. All gun accessories and equipment needed to complete position changes must be kept in a single container (<i>maximum dimensions TBD</i>) that remains on the athlete's firing point during the Finals. Gun cases and equipment containers must not be left on the FOP.</p>
<p style="text-align: center;">PREPARATION AND SIGHTING</p> <p style="text-align: center;">KNEELING POSITION</p> <p style="text-align: center;">5:00 min.</p> <p style="text-align: center;">Starts 12:00 min. before</p>	<p>The CRO will call finalists to the firing line twelve (12) minutes before the Start Time by commanding "ATHLETES TO THE LINE." After being called to the line, finalists may handle their rifles, get into the kneeling position and do holding or aiming exercises, but they may not remove safety flags or dry fire.</p> <p>After two (2) min., the CRO will start a combined Preparation and Sighting Time by commanding "FIVE MINUTES PREPARATION AND SIGHTING TIME...START." After this command, finalists may remove safety flags, dry fire and fire unlimited sighting shots.</p> <p>At 30 sec. before the end of the Preparation and Sighting Time, the CRO will command "30 SECONDS."</p> <p>After five (5) min., the CRO will command "STOP...UNLOAD."</p> <p>No score announcements are made during Sighting shots. After the command STOP...UNLOAD, finalists must unload their rifles and insert safety flags for the presentation of the finalists. A Range Officer must verify that rifle actions are open with safety flags inserted.</p>
<p style="text-align: center;">PRESENTATION OF FINALISTS</p> <p style="text-align: center;">2:00 min. before</p>	<p>After finalists' rifles are checked, the Announcer will present the finalists, CRO and Jury Member-in-Charge according to Rule 6.18.1.9. Athletes may remain in position during 3 Position Finals presentations, but they are expected to turn their heads and faces towards spectators and the TV camera used to show the presentations. Additional biographical information and photos of each finalist should be given during the Changeover and Sighting periods.</p>

<p style="text-align: center;">KNEELING POSITION MATCH FIRING</p> <p style="text-align: center;">3 X 5-shot series</p> <p style="text-align: center;">Time limit: 200 sec. for each series</p> <p style="text-align: center;">Competition firing starts at 0:00 min.</p>	<p>Immediately after the presentation, the CRO will command “FOR THE FIRST COMPETITION SERIES...LOAD.” After five (5) sec., the CRO will command “START.”</p> <p>Finalists have 200 sec. to fire five (5) shots. A countdown clock displaying the time remaining in seconds should be shown on the finalists’ EST monitors. If a countdown clock is not visible to the finalist on his firing point, the CRO must announce “TEN” and “FIVE” to indicate the time remaining in each series.</p> <p>At 200 sec. or after all finalists have fired five (5) shots, the CRO will command “STOP.”</p> <p>Immediately after the command “STOP,” the Announcer will give 15-20 sec. of comments on the current ranking of the athletes and notable scores. Individual shot scores are not announced.</p> <p>Immediately after the Announcer finishes, the CRO will command “FOR THE NEXT COMPETITION SERIES, LOAD.”</p> <p>After five (5) sec., the CRO will command “START.”</p> <p>At 200 sec. or after all finalists have fired five (5) shots, the CRO will command “STOP.”</p> <p>Immediately after the command “STOP,” the Announcer will give 15-20 sec of additional comments on the rankings.</p> <p>Immediately after the Announcer finishes, the CRO will command “FOR THE NEXT COMPETITION SERIES, LOAD.”</p> <p>After five (5) sec., the CRO will command “START.”</p> <p>At 200 sec. or after all finalists have fired five (5) shots, the CRO will command “STOP...UNLOAD.” A Range Officer must verify that gun actions are open with safety flags inserted.</p>
--	--

<p style="text-align: center;">CHANGEOVER AND SIGHTING PRONE POSITION</p> <p style="text-align: center;">7:00 Minutes</p>	<p>Immediately after the command “STOP...UNLOAD,” the CRO must start a combined Changeover and Sighting period by commanding “SEVEN MINUTES CHANGEOVER AND SIGHTING TIME...START.” After this command, finalists may handle their rifles to prepare them for the prone position, get into the prone position, remove safety flags, dry fire and fire unlimited sighting shots.</p> <p>After the changeover has begun, the announcer will make comments about the rankings and scores of the finalists after the kneeling position. The Announcer may use this time to present portraits and biographical information about each of the finalists.</p> <p>At 30 sec. before the end of the changeover and sighting time, the CRO will command “30 SECONDS.”</p> <p>After seven (7) minutes, the CRO will command “STOP.” This will be followed by a 30 sec. pause when the Technical Officer clears the targets for MATCH firing.</p>
<p style="text-align: center;">PRONE POSITION MATCH FIRING</p> <p style="text-align: center;">3 X 5-shot series</p> <p style="text-align: center;">Time limit: 150 sec. for each series</p>	<p>After 30 sec. the CRO will command “FOR THE NEXT COMPETITION SERIES...LOAD.” After five (5) sec, the CRO will command “START.”</p> <p>Finalists have 150 sec. to fire each 5-shot MATCH series in prone.</p> <p>The same command procedure and sequence of announcements will continue until finalists complete 3 x 5 shots in the prone position.</p> <p>After the third series, the CRO will command “STOP...UNLOAD.” A Range Officer must verify that gun actions are open with safety flags inserted.</p>
<p style="text-align: center;">CHANGEOVER AND SIGHTING STANDING POSITION</p> <p style="text-align: center;">9:00 Minutes</p>	<p>Immediately after the command “STOP...UNLOAD,” the CRO must start a combined Changeover and Sighting period by commanding “NINE MINUTES CHANGEOVER AND SIGHTING TIME...START.” After this command, finalists may handle their rifles to prepare them for the standing position, get into the standing position, remove safety flags, dry fire and fire unlimited sighting shots.</p> <p>After the changeover has begun, the announcer will make comments about the rankings and scores of the finalists after the kneeling and prone positions.</p> <p>At 30 sec. before the end of the Changeover and Sighting time, the CRO will command “30 SECONDS.”</p> <p>After nine (9) minutes, the CRO will command “STOP.” This will be followed by a 30 sec. pause when the Technical Officer clears the targets for MATCH firing.</p>

<p style="text-align: center;">STANDING POSITION MATCH FIRING</p> <p style="text-align: center;">2 X 5-shot series</p> <p style="text-align: center;">5 X 1 shots</p> <p>Time limit: 250 sec. for each 5-shot series, 50 sec. for each single shot</p>	<p>After 30 sec. the CRO will command “FOR THE NEXT COMPETITION SERIES...LOAD.” After five (5) sec, the CRO will command “START.”</p> <p>Finalists have 250 sec. to fire each 5-shot MATCH series in standing.</p> <p>The same command procedure and sequence of announcements will continue until the finalists have completed two (2) 5-shot series in the standing position.</p> <p>After the CRO commands “STOP” for the second series, the 8th and 7th place finalists are eliminated. The Announcer will recognize the athletes who are eliminated and comment on the results.</p> <p>Immediately after the Announcer finishes, the CRO will command “FOR THE NEXT COMPETITION SHOT, LOAD.”</p> <p>After five (5) sec., the CRO will command “START.”</p> <p>Finalists have 50 sec. to fire each single shot. Shot time countdown information must continue to be available to the athletes.</p> <p>At 50 sec. or after all finalists fire one shot, the CRO will command “STOP.” The Announcer will recognize the athlete who is eliminated and comment on the results.</p> <p>The CRO and Announcer will continue this command and announcement sequence until the last shot decides the gold and silver medal winners.</p>
<p style="text-align: center;">ELIMINATIONS</p>	<p>The two lowest-ranking finalists are eliminated after the second standing series (40 shots total, 8th and 7th places). One additional lowest-ranking athlete is eliminated after each of the five single shots that follow.</p> <p>After 41 shots – 6th place</p> <p>After 42 shots – 5th place</p> <p>After 43 shots – 4th place</p> <p>After 44 shots – 3rd place (bronze medal winner is decided)</p> <p>After 45 shots – 2nd and 1st places (silver and gold medal winners are decided)</p> <p>When an athlete is eliminated, he must insert a safety flag in his rifle, place it on the bench and step back from the firing line. A Range Officer must verify that the action is open with a safety flag inserted.</p>

TIE-BREAKING	If there is a tie for the lowest ranking athlete to be eliminated, the tied athletes will fire additional tie-breaking shots until the tie is broken. For tie-breaking shots, the CRO will immediately announce the family names of the tied athletes and command them to fire their tie-breaking shots with the normal firing procedure. The Announcer will make no comments until the tie is broken.
FINALS COMPLETION	After the two (2) remaining finalists fire the last shot, and if there are no ties and no protests, the CRO will declare “RESULTS ARE FINAL.” The Announcer will immediately recognize the gold, silver and bronze medal winners (Rule 6.18.1.13).
CHANGEOVER	Athletes may not begin their changeover to the next position until the CRO gives the command “START” for the Changeover and Sighting Time is given. A warning will be given for the first violation. A two-point penalty applied on the first shot of the next series will be given for the second violation.

6.17.4 FINALS – 25M RAPID FIRE PISTOL MEN

FINALS FORMAT	The 25m Rapid Fire Pistol Men Finals consists of eight (8) 5-shot 4-second series with hit or miss scoring and the elimination of the lowest scoring finalists, beginning after the fourth series and continuing until the eighth series when the gold and silver medals are decided.
TARGETS	Three (3) groups of five (5) 25m ESTs must be used. Two finalists are assigned to each group. Start positions are assigned according to the athletes' Qualification ranking, starting from the left. The 1.50 m x 1.50 m shooting station (firing point) for each group is used. They must take their positions on the left and right sides of the shooting station so that at least one (1) foot touches the line that marks the left or right side of the shooting station as defined by Rule 6.4.11.7.
SCORING	Scoring in the Finals is hit or miss; each hit counts one (1) point; each miss counts zero (0) points. The size of the hit zone is within the 9.7 zone on the 25m Rapid Fire Pistol target. Cumulative total scores (total number of hits) in the Finals determine final rankings, with ties broken according to shoot-off scores.

<p>REPORTING TIME 30:00 and 15:00 min before</p>	<p>Athletes must report 30 min. before the Start Time with their equipment and competition clothing. The Jury must complete equipment checks as soon as possible after the athlete reports. Athletes or their coaches must be allowed to place their equipment, including sufficient ammunition to complete the Finals, on their firing points 15 min. before the Start Time. Athlete equipment may include a reserve pistol that can be used to replace a malfunctioning pistol (safety flag must be inserted). Gun cases and equipment containers must not be left on the FOP.</p>
<p>CALL TO LINE, PREPARATION PERIOD AND SIGHTING SHOTS 10:00 min. before</p>	<p>The CRO will call the “ATHLETES TO THE LINE” ten (10) minutes before the Start Time. After one (1) min., the CRO will begin the two (2) min. preparation period by commanding “PREPARATION BEGINS NOW.” After two (2) minutes, the CRO will command “END OF PREPARATION.”</p> <p>The Sighting Series consists of five (5) shots in four (4) seconds. Immediately after the preparation period, the CRO will command “FOR THE SIGHTING SERIES, LOAD.” 30 sec. after the command “LOAD,” the CRO will call the name of the first (left) athletes in each group by stating “(FAMILY NAME OF ATHLETE #1, FAMILY NAME OF ATHLETE #3, FAMILY NAME OF ATHLETE #5).” After the athletes’ names are announced, they may place magazines in their pistols and prepare to fire.</p> <p>15 sec. after calling the names of finalists 1, 3 and 5, the CRO will command “ATTENTION” and turn the red lights on. These athletes must bring their pistols to the Ready Position (Rule 8.7.2). The green lights will come on after seven (7) sec. After the four (4) sec. firing period, the red lights will come on for 10-14 sec. (while targets are prepared for the next series). During this 10-14 sec. period, athletes may view their monitors.</p> <p>After the Technical Officer signals that the targets are ready, the CRO will announce “(FAMILY NAME OF ATHLETE #2, FAMILY NAME OF ATHLETE #4, FAMILY NAME OF ATHLETE #6).” After the athletes’ names are announced, they may put magazines in their pistols and prepare to fire. Fifteen (15) sec. later, the command “ATTENTION” will be given and the timing procedure for that series will proceed.</p> <p>After the four (4) sec. firing period, the red lights will come on for 10-14 sec. During this 10-14 sec. period, athletes may view their monitors.</p> <p>No score announcements will be made for the sighting series. After all finalists complete their sighting series, they must place their unloaded pistols with safety flags inserted on the bench and turn to face the spectators for the presentation. A Range Officer must verify that pistol actions are open and there are no cartridges in the chambers or magazines.</p>

<p>PRESENTATION OF FINALISTS 5:00 min. before</p>	<p>After finalists' guns are checked, the Announcer will introduce the athletes, CRO and Jury Member-in-Charge according to Rule 6.17.1.11.</p>
<p>DETAILED PROCEDURE FOR COMMANDS AND FIRING Competition firing starts at 0:00 min.</p>	<p>Each Finals MATCH series consists of five (5) shots in four (4) seconds. For each series, all finalists remaining in the competition will shoot separately and in succession. The order of firing for all series is from left to right.</p> <p>Immediately after the presentation, the CRO will command "TAKE YOUR POSITIONS."</p> <p>30 sec. after the presentation, the CRO will command "LOAD." After the command "LOAD," athletes have one (1) min to load two (2) magazines (Rule 8.7.6.2 d does not apply for Finals). Only one (1) "LOAD" command is given before the start of the first MATCH series. During the entire Finals, athletes may continue to load magazines as required.</p> <p>After the command "LOAD," athletes may do aiming exercises, arm lifts or dry firing, except when the other athlete in the 5-target group is firing. During this time the athlete on the right in the 5-target group may take his pistol in his hand to prepare, but he may not do aiming exercises, arm lifts or dry firing. After the athlete on the left has fired, he must place his pistol down and step to the rear of the shooting station or not move while the athlete on the right fires his series.</p> <p>One (1) min. after the command "LOAD," the CRO will call the name of the first athlete by stating "(FAMILY NAME OF ATHLETE #1)." After the athlete's name is announced, he may put the magazine in his pistol and prepare to fire.</p> <p>15 sec. after calling the name of the first athlete, the CRO will command "ATTENTION" and turn the red lights on. The first athlete must bring his pistol to the Ready Position. The green lights will come on after a delay of seven (7) sec. After the four (4) sec. firing period, the red lights will come on for 10-14 sec. (recycling time of the targets).</p> <p>During this 10-14 sec. period, the CRO will report the score for that series (e.g. "FOUR HITS").</p> <p>Immediately after the first athlete's score is announced and the Technical Officer signals that the targets are ready, the CRO will announce "(FAMILY NAME OF ATHLETE #2)."</p> <p>15 sec later, the command "ATTENTION" will be given and the timing procedure for that series will proceed. After that series, the CRO will report the score. The other athletes will continue to fire in order until all athletes remaining in the competition have fired that series. There will be a 15-20 sec. pause after all athletes complete one (1) series. During this pause, the Announcer will comment on the current ranking of the athletes, the best scores, athletes who were eliminated, etc.</p> <p>For the second series, the CRO will announce "(FAMILY NAME OF ATHLETE #1)" and continue this procedure until all finalists have fired four (4) series.</p>

<p>ELIMINATIONS</p>	<p>After all finalists fire the fourth series, the lowest-ranking athlete is eliminated (6th place). One additional athlete is eliminated after each series that follows.</p> <p>After 5 series – 5th place</p> <p>After 6 series – 4th place</p> <p>After 7 series – 3rd place (bronze medal winner is decided)</p> <p>After 8 series – 2nd and 1st places (silver and gold medal winners are decided)</p> <p>When an athlete is eliminated, he must unload his pistol (remove magazine, open action and insert safety flag) and lay it on the bench before stepping back. A Range Officer must verify that the action is open, magazine removed and safety flag inserted.</p>
<p>TIE-BREAKING</p>	<p>If there is a tie for the lowest ranking athlete to be eliminated, the tied athletes will fire additional tie-breaking four (4) sec. series until the tie is broken. For all tie-breaking series, the athlete on the left starts.</p> <p>For the tie-breaking series, the CRO will immediately call the name of the first tied athlete by stating “(FAMILY NAME OF ATHLETE #1)” and the normal firing procedure applies. The Announcer will make no comments until the tie is broken.</p>
<p>FINALS COMPLETION</p>	<p>After the two (2) remaining finalists fire the eighth series, and if there are no ties and no protests, the CRO will declare “RESULTS ARE FINAL.”</p> <p>The Announcer will immediately recognize the gold, silver and bronze medal winners (Rule 6.17.1.13).</p> <p>Before any Finalist or his coach may remove a pistol from the firing line, the Range Officer must check the pistol to be sure its action is open with a safety flag inserted, magazine removed and magazines unloaded. Pistols must be boxed before they are taken from the firing line.</p>
<p>LATE SHOTS</p>	<p>If an athlete fires a late shot or does not shoot at all five (5) targets in time, a deduction of one (1) hit for each overtime or unfired shot will be taken from the score for that series. The shot(s) will be marked with “OT.”</p>
<p>READY POSITION (8.7.2, 8.7.3)</p>	<p>If the Jury determines that an athlete raises his arm too soon, or does not lower it sufficiently, the athlete must be penalized by a deduction of two (2) hits in that series (green card). In a Finals, no warning will be given. In case of repetition, the athlete must be disqualified (red card). To decide a Ready Position violation, at least two Competition Jury Members must give a sign (e. g. raising a flag) showing that an athlete raised his arm too quickly before a penalty or disqualification is imposed.</p>

MALFUNCTIONS (8.9)	<p>Malfunctions during the sighting series may not be claimed or re-fired. If a malfunction occurs during a MATCH series, a Range Officer must determine if the malfunction is ALLOWABLE or NON-ALLOWABLE. If the malfunction is ALLOWABLE, the athlete must re-fire the series and will receive the score of the re-fired series. The athlete has 15 seconds to be ready for the re-fire series. For any further malfunction, no re-fire is permitted and the hits that are displayed will be counted.</p> <p>If the malfunction is NON-ALLOWABLE, a penalty of two (2) hits must be deducted from the score for that series.</p>
-------------------------------	--

6.17.5 FINALS – 25M PISTOL WOMEN

FINALS FORMAT	<p>The 25m Pistol Women Finals consists of two Stages, a Semifinal and two (2) Medal Matches. All scoring is hit-miss. The Semifinal consists of five (5) 5-shot rapid-fire series. All eight (8) finalists shoot the Semifinal. In the Medal Matches, the first and second place athletes from the Semifinal compete for gold and silver medals while the third and fourth place athletes compete for the bronze medal. Each Medal Match is fired on a series-by-series basis where the athlete with the highest hit total in each series receives two points and tied scores one point each. Each Medal Match winner must score seven (7) points.</p>
TARGETS	<p>Two (2) groups of five (5) 25m ESTs must be used. In the Semifinal, four (4) finalists are assigned to each group on positions on 1-2-4-5 and 6-7-9-10.</p> <p>Start positions in the Semifinal and Medal Matches are assigned according to Qualification results, with the highest placing athlete starting on the left.</p>
SCORING	<p>Finalists start both Stages at zero (0). Scoring is hit or miss; each shot within the hit zone is scored as one hit. The size of the hit zone is within the 10.3 zone on the 25m Rapid Fire Pistol target.</p> <p>During the Semifinal, results are cumulative with each athlete's final ranking determined by the total number of hits for all five (5) series and the application of tie-breaking rules.</p> <p>During the Medal Matches, points are awarded on a series-by-series basis. The athlete with the most hits in a series receives two (2) points. If the two athletes are tied, each receives one (1) point. The athlete who scores seven (7) points is the winner; if both athletes score seven (7) points on the same series, they will fire additional series until the tie is broken.</p>

<p>REPORTING TIME</p> <p>30:00 and 15:00 min. before</p>	<p>Athletes must report 30 min. before the Start Time with their equipment and competition clothing. The Jury must complete equipment checks as soon as possible after each athlete reports. Athletes or their coaches must be allowed to place their equipment, including sufficient ammunition to complete the Finals, on their firing points not less than 15 min. before the Start Time. Athlete equipment may include a reserve pistol that can be used to replace a malfunctioning pistol (safety flag must be inserted). Gun cases and equipment containers must not be left on the FOP.</p>
<p>CALL TO LINE, PREPARATION PERIOD AND SIGHTING SHOTS</p> <p>10:00 min. before</p>	<p>The CRO will call “ATHLETES TO THE LINE” ten (10) min. before Start Time. After one (1) minute, the CRO will start the two (2) min. preparation period with the command “PREPARATION BEGINS NOW.”</p> <p>After two (2) min., the CRO will command “END OF PREPARATION.”</p> <p>The sighting series consists of five (5) shots fired in the standard Rapid Fire sequence (Rule 8.7.6.4). Immediately after the preparation period, the CRO will command “FOR THE SIGHTING SERIES, LOAD.” After this command athletes may place loaded magazines in their pistols and prepare to fire.</p> <p>60 sec. after the command “LOAD,” the CRO will command “ATTENTION” and turn the red lights on. Athletes must bring their pistols to the Ready Position (Rule 8.7.2). After seven (7) sec. the first three (3) sec. green lights will come on to initiate the series. After the series, the CRO will command “STOP...UNLOAD.”</p> <p>No score announcements are made during the sighting series. After the commands “STOP...UNLOAD,” Finalists must unload their guns, insert safety flags, lay them down or place them on the bench and turn to face spectators for the presentation. A Range Officer must verify that gun actions are open with safety flags inserted.</p>
<p>PRESENTATION OF FINALISTS</p> <p>5:00 min. before</p>	<p>After finalists’ guns are checked, the Announcer will present the athletes, CRO and Jury Member-in-Charge according to Rule 6.17.1.11.</p>

<p style="text-align: center;">1st COMPETITION STAGE</p> <p style="text-align: center;">SEMIFINAL</p> <p>Competition firing starts at 0:00 min.</p>	<p>Immediately after the presentation, the CRO will command “TAKE YOUR POSITIONS.”</p> <p>30 sec. later, the first MATCH series will start and the CRO will command “LOAD.” Finalists have one (1) min. to load two (2) magazines (Rule 8.7.6.2 d. does not apply for the Finals).</p> <p>Only one (1) “LOAD” command is given before the start of the first MATCH series. During the entire Finals, athletes may continue to load magazines as required.</p> <p>One (1) min. after the command “LOAD,” the CRO will command “FIRST SERIES...READY.” Athletes may place magazines in their pistols and prepare to fire.</p> <p>15 sec. after the command “READY,” the CRO will command “ATTENTION” and turn the red lights on. Athletes must bring their pistols to the Ready Position (Rule 8.7.2). After seven (7) sec., the first three (3) sec. green lights will come on to initiate the rapid-fire series. After the series is completed, the CRO will command “STOP.”</p> <p>After the command “STOP,” the Announcer will give comments about the finalists’ rankings and scores.</p> <p>30 sec. after the Announcer finishes, the CRO will command “NEXT SERIES...READY.” After 15 sec., the CRO will command “ATTENTION.”</p> <p>This sequence will continue until all finalists fire five (5) series. After the fifth series, and if there are no ties for second or fourth place, the CRO will command “STOP...UNLOAD.” A Range Officer must verify that pistol actions are open, magazines are removed and unloaded and safety flags are inserted. Athletes must step back from their firing points and leave their pistols on their firing points.</p> <p>There will be a pause of approximately two (2) min. while the Technical Officer prepares the targets for the Medal Matches.</p> <p>During this time, the Announcer will recognize the four (4) athletes who are eliminated as well as the athletes who will advance to the Bronze and Gold Medal Matches.</p>
<p style="text-align: center;">ELIMINATIONS</p>	<p>After Finalists complete five (5) series, the four (4) lowest ranking athletes are eliminated and ranked in 5th, 6th, 7th and 8th places according to their Semifinal hit totals. The third and fourth place athletes in the Semifinal advance to the Bronze Medal Match. The first and second place athletes advance to the Gold Medal Match.</p>

<p style="text-align: center;">TIE-BREAKING</p>	<p>If two or more athletes have the same score (total hits) after the Semifinal and are tied for fourth or second place the tied athletes must fire additional tie-breaking 5-shot rapid-fire series until the tie is broken.</p> <p>If there is a tie, the CRO will immediately announce the family names of the tied athletes and command them to fire the tie-breaking series with the normal firing procedure. The Announcer will make no comments until the tie is broken.</p> <p>Ties for other places after the Semifinal are decided by the score of the last series, then the next to the last series, etc. If the tie is not broken, tied athletes will be ranked according to their Qualification ranking.</p>
<p style="text-align: center;">2nd COMPETITION STAGE MEDAL MATCHES</p>	<p>The Medal Matches will start when the Technical Officer signals that the targets are ready.</p> <p>The two athletes will take their positions on the center targets in each group (#3 and #8). Start positions will be decided by the Qualification ranking with the highest-ranking athletes starting on the left.</p> <p>To start the Medal Match, the CRO will command “(MS FAMILY NAME AND MS FAMILY NAME)...TAKE YOUR POSITIONS.”</p> <p>After 30 sec., the CRO will command “LOAD.” After the command “LOAD” athletes have one (1) min. to load two (2) magazines.</p> <p>One (1) min. after the command “LOAD,” the CRO will command “FIRST SERIES...READY.” Athletes may then place magazines in their pistols and prepare to fire.</p> <p>15 sec. after the command “READY,” the CRO will command “ATTENTION” and turn the red lights on. Athletes must bring their pistols to the Ready Position (Rule 8.7.2). After seven (7) sec., the first three (3) sec. green lights will come on to initiate the rapid-fire series. After the series is completed, the CRO will command “STOP.”</p> <p>After the command STOP, the Announcer will announce the points gained as “(FAMILY NAME)...TWO POINTS, ADVANTAGE (FAMILY NAME).” The Announcer can then give comments about the status of the two athletes in the match.</p> <p>30 sec. after the Announcer finishes, the CRO will command “NEXT SERIES...READY.” After 15 sec., the CRO will command “ATTENTION.” This sequence will continue until one athlete scores seven (7) or more points with at least a one-point advantage. The CRO will command “STOP...UNLOAD...RESULTS ARE FINAL.” A Range Officer must verify that pistol actions are open, magazines are removed and unloaded and safety flags are inserted.</p> <p>The Announcer will recognize the bronze medal winner.</p> <p>There will be a two (2) min break while officials and athletes prepare for the Gold Medal Match.</p> <p>The same procedure will be followed to conduct the Gold Medal Match.</p>

FINALS COMPLETION	After the CRO declares “ RESULTS ARE FINAL ” in the Gold Medal Match, the Announcer will immediately recognize the gold, silver and bronze medal winners.
READY POSITION (8.7.2)	If the Competition Jury determines that an athlete raises her arm too soon, or does not lower it sufficiently, the athlete must be penalized by a deduction of two (2) hits in that series (green card). In a Finals, no warning will be given. In case of repetition, the athlete must be disqualified (red card). To decide a Ready Position violation, at least two Competition Jury Members must give a sign (e. g. raising a flag or card) showing that an athlete raised her arm too quickly before a penalty or disqualification is imposed.
MALFUNCTIONS (8.9.2)	Malfunctions during the sighting series may not be claimed or re-fired. If a malfunction occurs during a competition series, a Range Officer must determine if the malfunction is ALLOWABLE or NON-ALLOWABLE. If the malfunction is ALLOWABLE, the athlete must complete the series. The athlete has 15 seconds to be ready for the series completion. Only one allowable malfunction series completion is permitted in each Finals Stage. For any further malfunctions, no series completion is permitted and the hits that are displayed will be counted.

6.17.6 **Protests in Finals**

- Any protests must be immediate and made by the athlete or his coach by holding up his hand;
- Any protest must be decided immediately by the Finals Protest Jury (3.12.3.7, 6.16.7 and 6.17.1.10.d.). A decision by the Finals Protest Jury is final and may not be appealed; and
- If a protest in a Finals is not upheld, a penalty of two points or two hits shall apply. No protest fee shall apply in Finals.

6.17.7 **Award Ceremonies**

6.17.8 **An Award Ceremony** to honor gold, silver and bronze medal winners shall be conducted as soon as possible after each Finals in accordance with Rule 3.8.5. ISSF standards for the conduct of Award Ceremonies are provided in the document ***Guidelines for Accreditation, Finals Ranges and Award Ceremonies*** that is available from ISSF Headquarters.

6.17.9 **Finals World Records**

Finals World Records will be established in all Olympic events except 25m Pistol Women and the Shotgun events.

USAS 6.17.9A USA Shooting National Records: USA Shooting National Records may be established at USAS sanctioned competitions (USA Shooting General Rules 6.0-6.3)


6.18


FORMS

Forms to be used in conducting ISSF Championships are provided on the following pages as follows:

- **PROTEST FORM (Form P)**
- **APPEAL FORM (Form AP)**
- **Range Incident Report Form (Form IR)**
- **Classification Office Score Notification Form (Form CN)**
- **25m Rapid Fire Pistol Men Malfunction Score Computation (Form RFPM)**
- **25m Standard Pistol Men Malfunction Score Computation (Form STDP)**
- **Dress/Advertising Code Violation Warning (Form DC)**


PROTEST FORM – PAGE 1

 ISSF	<h1 style="margin: 0;">PROTEST FORM</h1>	<h1 style="margin: 0;">P</h1>
PROTEST INFORMATION (TO BE COMPLETED BY ATHLETE OR OFFICIAL)		
Event:		
Protest to Jury:		
Date _____ and time _____ of action or decision being protested.		
Action or Decision Being Protested (describe in writing):		
Reason for Protest (also list ISSF Rules concerned):		
Protest Submitted By:		
Name – Nation -- Signature		
PROTEST RECEIPT (To Be Completed By Official Receiving Protest)		
Protest received: Date: _____ Time: _____		
Amount Fee Paid: _____ Received by: _____		
Printed Name and Signature of official receiving protest		


 <p>ISSF</p>	<p>REQUEST FOR DECISION BY JURY OF APPEAL</p>	<p>AP</p>
<p>TO BE COMPLETED BY TEAM LEADER OR REPRESENTATIVE:</p>		
<p>If there is continued disagreement with a Jury decision, the matter may be submitted to the Jury of Appeal. A copy of the previous Protest Form (P) must be attached.</p>		
<p>Reason for Appeal:</p>		
<p>Appeal Information:</p>		
<p>Appeal Submitted By:</p>		
<p>Name – Nation -- Signature</p>		
<p>APPEAL INFORMATION (To Be Completed By Official Receiving Appeal)</p>		
<p>Appeal received: Date:</p>		<p>Time:</p>
<p>Amount Fee Paid</p>		<p>Received by:</p>
<p>Printed Name and Signature of official receiving protest</p>		

APPEAL FORM – PAGE 2


JURY OF APPEAL DECISION (TO BE COMPLETED BY JURY CHAIRMAN):		
The Jury of Appeal met on	at	to consider the protest.
Date	Time	
The protest was	upheld <input type="checkbox"/>	/ denied <input type="checkbox"/>
Reason for Jury of Appeal Decision:		
Jury Chairman:		
Name and Signature		
Notification to the Protester		
Date		
Time		
Fee retained / returned		
Name and Signature		
The decision of the Jury of Appeal is Final		

		<h1>RANGE INCIDENT REPORT FORM</h1>				<h1>IR</h1>	
Incident Report Serial Number:							
(A record must be kept in Range Register)							
Date of Incident:					Time of Incident:		
Event:				Relay:		Firing Point:	
Athlete's Name:						Stage:	
Bib Number:				Nationality:		Series:	
Brief Details of Incident:							
Applicable ISSF Rules:							
Penalty imposed:							
Signature of Range Officer Initiating Report:				Printed Name:		Time:	
Signature of Competition Jury Member				Printed Name:		Time:	
Signature of Classification Officer				Printed Name		Time:	
Signature of Classification Jury				Printed Name		Time:	
Signature of Ranking Technical Officer				Printed Name		Time:	
Score Amendment Reference					Ref:		


NOTE: When completed by the Range Officer and Jury, a copy of this form must be sent to the Range (EST) Control Room immediately.

 ISSF	CLASSIFICATION OFFICE SCORE NOTIFICATION FORM		CN	
EVENT:			DATE:	
RELAY:		ELIMINATION / QUALIFICATION:		
PRELIMINARY RESULT POSTED BY (NAME):			TIME:	
PROTEST TIME ENDED AT:			TIME:	
THERE WERE NO PROTESTS (NAME):			RESULTS CONFIRMED	
OR...				
PROTEST (SEE ATTACHED PROTEST FORM)		SUBMITTED TIME PROTEST RECEIVED:		
RESULTS NOT YET CONFIRMED				
SIGNATURE OF CLASSIFICATION OFFICER:			TIME:	
SIGNATURE OF CLASSIFICATION JURY MEMBER:			TIME:	
SIGNATURE OF RANKING TECHNICAL OFFICER:			REF:	

NOTE: When completed by the Classification Officer, a copy of this form must be sent to the Range (EST) Control Room immediately.

		25m Rapid Fire Pistol Men Malfunction Score Computation			Form RFPM	
Stage & Relay	/	Series and Time Stage	1 st / 2 nd 8s / 6s / 4s	Time of Malfunction		
Firing Point Number		Athlete's Name				
Bib Number		Nationality		Date		
For ALLOWABLE malfunction insert "AM", for NON-ALLOWABLE insert "NAM 0", for UNFIRED SHOTS insert "0" – only for misses, or for shots not fired on each single target in both series:						
Shot:	<i>Left</i>		<i>Middle</i>		<i>Right</i>	
Series:	Monitor	Monitor	Monitor	Monitor	Monitor	Total
Competition						
Malfunction Repetition						
Final Score						
(Final Score equals the total of the lowest value score in each column)						
If <u>second part of a ten shot series</u> , the total of the previous (first) five shots must be recorded; if not, leave blank.			Previous five shot score:		Correct Ten shot score:	
Range Officer's Signature				Range Officer's Name (Printed)		
Range Jury Member's Signature				Range Jury Member's Name (Printed)		
Classification Officer's Signature				Classification Jury Member's Signature		
Confirmation of Manual Intervention of Computer Result at Ranking Computer					Technical Officer's Signature	
Classification Jury Member's Signature					Correction Reference Number	

NOTE: When completed by the Range Officer and Jury, a copy of this form must be sent to the Range (EST) Control Room immediately.

		25m Standard Pistol Men Malfunction Score Computation				Form STDP	
Relay		Series and Time Stage		1 st / 2 nd / 3 rd / 4 th 150 / 20 / 10 sec		Time of Malfunction	
Firing Point Number		Athlete's Name					
Bib Number		Nationality		Date			
For ALLOWABLE malfunction insert "AM", for NON-ALLOWABLE insert "NAM 0", for UNFIRED SHOTS insert "0" – only for misses, or for shots not fired (by shot number) on the target in both series:							
Shot:		1	2	3	4	5	Total
Series:							
Competition							
Malfunction Repetition							
Final Score							
(Final Score is the total of the five lowest value shot-scores overall).							
If <u>second part of a ten shot series</u>, the total of the previous (first) five shots must be recorded; if not, leave blank.				Previous five shot score:			Correct Ten shot score:
Range Officer's Signature				Range Officer's Name (Printed)			
Range Jury Member's Signature				Range Jury Member's Name (Printed)			
Classification Officer's Signature				Classification Jury Member's Signature			
Confirmation of Manual Intervention of Computer Result at Ranking Computer				Technical Officer's Signature			
Classification Jury Member's Signature				Correction Reference Number			

NOTE: When completed by the Range Officer and Jury, a copy of this form must be sent to the Range (EST) Control Room immediately.



DRESS/ADVERTISING CODE VIOLATION WARNING

DC

Incident Report Number: (A record must be kept in Range Register)			
Date of Violation:		Time of Violation:	
Athlete's Name:			
Bib Number:		Nation:	
Description of Dress/Advertising Code Violation:			
Corrective Action Requested			
Signature of Jury Member:		Printed Name:	
		Time:	

IMPORTANT: Athletes who receive a Dress/Advertising Code Violation Warning may be disqualified from a competition if the violation is not corrected.

10m Air Pistol – Paper Target	6.3.4.6
10m Air Rifle – Paper Target	6.3.4.3
10m Events – Specific Rules for the Air Rifle and Air Pistol events	6.11.2
10m indoor air gun ranges	6.4.1.6
10m Ranges – Firing Point Standards	6.4.10
10m Ranges – light measurements	6.4.14
10m Ranges – target equipment	6.4.10
10m Running Target – Electronic Scoring Targets	6.4.16.2
10m Running Target – Paper Target	6.3.4.8
25m and 50m indoor ranges	6.4.3.3
25m EST – Control Sheets	6.3.6.2
25m Events – Score card	6.18.15
25m Events – Scoring Procedures – indication of shots	6.14.12.2
25m Events – Scoring Procedures – second register keeper	6.9.9
25m Events – Scoring Procedures – Signaling of shot values	6.9.8
25m Events – Scoring Procedures – supervision of the Jury	6.9.8
25m Events – Scoring Procedures (Paper Targets)	6.14.12
25m Events – Skid shots	6.3.5.11
25m Events – targets	6.3.4.4
25m Events – targets	6.3.4.5
25m Events – targets scored officially on the range	6.9.9
25m outdoor ranges – open to the sky	6.4.3.3
25m Pistol, Center Fire Pistol, Standard Pistol - usable targets	6.3.4.4
25m Pistol, Center Fire Pistol, Standard Pistol - usable targets	6.3.4.5
25m Ranges – dimension of firing points	6.4.11.7
25m Ranges – equipment of firing points	6.4.11.10
25m Ranges – screens between the firing points	6.4.11.8
25m Ranges – sections (groups)	6.4.11.4
25m Ranges – Standards	6.4.11
25m Rapid Fire Pistol Event – allocation of firing points	6.6.6.2
25m Rapid Fire Pistol Event – Paper Target	6.3.4.4
25m Rapid Fire Pistol Event – Groups of targets	6.4.11.3
25m targets – direction of rotation	6.4.12.1
25m targets – facing times	6.4.12.3
25m targets – incorrect facing time	6.4.12.2
25m targets – letters on the target	6.4.3.6
25m targets – solid backing boards	6.4.12.4
25m targets – time of turning	6.4.12.3
25m targets – timing – duration of facing	6.4.12.2
25m targets – turn simultaneously	6.4.12.1
25m targets – turning and timing device	6.4.12.2
25m targets – vibration	6.4.12.1
25m Timing of Electronic Scoring Targets	6.4.13
25m Turning Targets Installation Standards	6.4.12
25m and 50m Precision Pistol – Paper Target	6.3.4.5
50m outdoor ranges – open to the sky	6.4.3.3

50m Ranges - Firing Point Standards	6.4.9
50m Rifle – Paper Target	6.3.4.2
50m Running Target – Paper Target	6.3.4.7
300m Electronic Scoring Targets – Cross-fires	6.11.8.9
300m outdoor ranges – open to the sky	6.4.3.3
300m Ranges - Firing Point Standards	6.4.8
300m Rifle – Paper Target	6.3.4.1
Additional sighting shots – Malfunction	6.13.4
Aiming area – only one (1) aiming area	6.2.4.1
Aiming exercises	6.11.1.1
Allocation of firing points – 10m Events	6.6.6
Allocation of firing points – 25m Rapid Fire Pistol	6.6.6.2
Allocation of firing points – basic principles	6.6.6
Allocation of firing points – eliminations events on outdoor ranges	6.6.6.1
Allocation of firing points – equal conditions	6.6.6
Allocation of firing points – range constraints	6.6.6
Allocation of firing points – Running Target	6.6.6.3
Allocation of firing points – Shotgun (Rule 7.10.4)	6.6.6.3
Allocation of firing points – supervised by the Technical Delegate	6.6.6
Allocation of firing points – teams – more than one relay	6.6.6
Allowable Malfunctions	6.13.2
Alteration of a gun or equipment	6.11.6.2
Alteration of equipment after control	6.7.7.1
Annulment of a shot	6.11.8.9
Annulment of a shot – The athlete did not fire: confirmed	6.11.8.9
Annulment of a shot – The shot is reported by another athlete	6.11.8.9
Appeals	6.7.9.3
Application of ISSF Rules	6.1.2
Appropriate dress for a public event – Clothing regulations	6.17.1.3
Athlete – ready to shoot	6.10.4
Awards and Records	6.17.1.3
Backing Cards 50m / 300m	6.3.6.3
Backing Targets – 25m	6.3.6.4
Backing Targets – 50m	6.3.6.4
Backing Targets, Backing Cards, Control Sheets	6.3.6.6
Bib (Start) Numbers	6.7.8
Blinders	6.7.8.4
Camouflage	6.7.6
Cases for guns	6.2.2.8
Ceremonies – Appearance of the athletes	6.7.6.2
Ceremonies – Appearance of the juries	6.7.6.3
Certifying of scores by officials – initials of scorers	6.14.10.3
Changing from Sighting to MATCH shots	6.10.4
Changing or refilling – Gas or air cylinder	6.11.2.3
Changing of wind flags before the preparation time	6.4.4.6
Chief Range Officer – duties and functions	6.9.1
Classification Jury – Electronic Scoring Targets	6.10.3
Classification Jury – supervision of scoring	6.8
Classification Office – duties and procedures	6.14.5

Clay Targets	6.3.7
Clay Target testing	6.3.7.3
Clock on the range	6.4.3.5
Clock on the range in the Finals	6.4.3.5
Clothing regulations – appropriate dress	6.7.6
Coaching in rifle and pistol events	6.12.5
Coaching in shotgun events	6.12.5.2
Commands LOAD / START - UNLOAD / STOP	6.2.3.1
Common Range Standards	6.4.3
Communication on the range	6.4.2
Competition area	6.11.10
Competition Officials	6.9
Competition Rules	6.11.1
Complaint concerning failure to register or display a shot (EST)	6.10.8
Complaint during the sighting shots	6.17.1.8
Conduct of ISSF Championships	6.1.4
Control Card – Not able to produce – 50m Running Target	6.11.6.5
Control Card – Not able to produce the Control Card	6.11.6.5
Control Sheets – 25m EST	6.3.6.5
Count back situation – Transfer the values of excessive shots	6.11.7.2
Crossfires	6.11.8
Crossfires – 300m Electronic Scoring Targets	6.11.8.9
Crossfires – Annulment of a shot	6.11.8.7
Crossfires – Determination of a confirmed crossfire	6.11.8.4
Crossfires – Determination of a not-confirmed crossfire	6.11.8.4
Crossfires – Disclaim a crossfire	6.11.8.6
Crossfires – Not confirmed by the Range Officer	6.11.8.8
Crossfires – Scoring	6.11.8.1
Crossfires – Sighting shot on a MATCH target of another athlete	6.11.8.3
Crossfires – Sighting shot on a sighting target of another athlete	6.11.8.2
Crossfires – The athlete did not fire: confirmed by the Range Officer	6.11.8.7
Decision on the value of a shot	6.14.5
Decisions – Jury	6.8.8
Decisions – Jury – cases not covered by the ISSF Rules	6.8.11
Decisions by the Classification Jury	6.14.5
Decisions of the Classification Jury	6.10.3.1
Deduction	6.12.6.1
Deduction from the score	6.14.7
Deduction of points – False information	6.12.7
Deduction of points – Not able to produce the Control Card	6.11.6.5
Deduction of points – Release of propellant charge during preparation	6.11.2.1
Deduction of points – Shot(s) before the command START	6.11.1.1
Deduction of points – Unapproved gun or equipment	6.11.6.1
Deductions – Too many shots per target	6.11.7.2
Deviations of specifications	6.4.1.11
Dimensions of scoring rings (outside diameter)	6.3.4
Disqualification	6.12.6.1
Disqualification – Impeding an athlete	6.12.7
Disqualification – Violation of safety Rules	6.12.7

Disqualification in the Finals	6.12.6.1
Disturbances	6.11.9
Double Trap Ranges – Separate Double Trap Ranges	6.3.1.4
Double Trap Ranges – Using a Trap Range	6.4.1.4
Double Trap Ranges – Standards	6.4.20
Drawing of lots – allocation of firing points	6.6.6
Dry firing	6.2.4.1
Dry firing – Definition	6.2.4.1
Duties and Function of the Jury	6.8
Electronic Scoring Targets	6.3.2.1
Electronic Scoring Targets – Checked by the Technical Delegate	6.3.2.8
Electronic Scoring Targets – responsibility of the athlete	6.10.4
Electronic Scoring Targets (EST)	6.3.2
Electronic Scoring Targets changing to MATCH by range officials	6.10.4
Eligibility of athletes	6.7.8.3
Entries – Final entries	6.6.3
Equipment and Ammunition	6.7
Equipment Control – examination before using the equipment	6.7.7
Equipment Control – information of athletes and team officials	6.7.7.1
Equipment Control – instruments, gauges	6.5
Equipment Control – instruments – shoe sole flexibility Device	6.5.3
Equipment Control – instruments – stiffness Device	6.5.2
Equipment Control – instruments – thickness Device	6.5.1
Equipment Control – marking of equipment and guns	6.7.7.1
Equipment Control – marking of equipment and guns Running Target	6.7.7.1
Equipment Control – registration	6.7.7.1
Equipment Control – re-inspection	6.7.9.2
Equipment Control – responsibility of the athlete	6.7.7.1
Equipment Control – supervision by the Jury	6.8
Equipment Control – Unfair advantage over others	6.7.1 / 6.7.2
Equipment Control – validity one time control	6.7.4
Equipment Control – validity having not “one time only” EC	6.7.7.1
Equipment control in interest of safety	6.2.1
Examination and check by the Jury	6.7.9.1
Examination by the jury – Extra shot	6.10.9.3
Examination of Electronic Scoring Targets	6.3.2.8
Examination of equipment, guns positions during competition	6.8.5
Examination of equipment, guns, positions	6.8
Examination of Paper and Clay Targets by the Technical Delegate	6.3.3
Extra shot – Annulling of the last shot fired (extra to the competition)	6.10.9.3
Extra shot – Directed to fire an aimed shot	6.10.9.3
Extra shot – Not registered and displayed on the monitor	6.10.9.3
Extra shot – Registered and displayed on the monitor	6.10.9.3
Eye Protection	6.2.6
Failure of a single target	6.10.9.2
Failure of all targets on a range	6.10.9.1
Failure of all targets on a range – Competition procedure	6.10.9.1
Failure of Electronic Scoring Target Systems 10m and 50m	6.10.9
Failure of the paper or rubber band	6.10.6

False information	6.12.7
Fees – Protest and Appeals	6.13.3
Finals – Announcement of Official Results	6.17.1.13
Finals – Announcement of shots – 10m / 50m events	6.17.2
Finals – Announcement of shots – 25m Pistol	6.17.5
Finals – Announcement of shots – 25m Rapid Fire Pistol	6.17.4
Finals – Athlete not reporting in time: 2 points DEDUCTION	6.17.1.3
Finals – Carrier operated systems	6.11.4
Finals – Check-in athletes and equipment before the Finals	6.17.1.3
Finals – Competition 25m Pistol	6.17.5
Finals – Competition 25m Rapid Fire Pistol	6.17.4
Finals – Competition Commands – 10m / 50m Prone and 50m Pistol	6.17.2
Finals – Competition Commands – 50m Rifle 3 Positions	6.17.3
Finals – Competition Procedures	6.17.1.12
Finals – Delay of Finals	6.11.6.4
Finals – Discharge of gas in air guns: 2 points DEDUCTION	6.11.2.1
Finals – Dry firing prohibited	6.11.2.2
Finals – Events-Program 10m Air Rifle and 10m Air Pistol	6.17.2
Finals – Events-Program 50m Prone and 50m Pistol	6.17.2
Finals – Events-Program 50m Rifle 3 Positions Men and Women	6.17.3
Finals – Events-Program 25m Rapid Fire Pistol Men	6.17.4
Finals – Events-Program 25m Pistol Women	6.17.5
Finals – Events-Program Rifle and Pistol	6.17
Finals – Events-Program Shotgun	9.17
Finals – EST Complains	6.17.1.8
Finals – Failure of a single target – 10 and 50m events	6.17.1.8
Finals – Failure of a single target – 25m events	6.10.9.2
Finals – Failure of all Finals targets	6.10.9.1
Finals – Failure of all Finals targets – 10 and 50m events	6.10.9
Finals – Failure of all Finals targets – 25m events	6.10.9
Finals – Final Official Results	6.17.1.13
Finals – Introduction of Finalists	6.1.1.11
Finals – Malfunctions of a gun 10m and 50m Finals	6.17.1.6
Finals – Malfunctions of a gun 25m Finals (Rule 8.9 and 8.9.2)	6.17.1.6
Finals – More than one shot fired	6.11.2.4
Finals – Number of finalists 10m / 50m events	6.17.1.1
Finals – Number of finalists 25m Events	6.17.1.1
Finals – Paper targets 10m / 50m	6.14.10
Finals – Preparation Time 10m / 50m	6.11.1.1
Finals – Preparation Time 25m Events	6.17.4/6.17.5
Finals – Protests in Finals – Score Protests	6.17.1.7
Finals – Protests in Finals – Decisions	6.17.6
Finals – Qualification – full program	6.17.1.1
Finals – Reporting time printed in the official program	6.6.1.5
Finals – Reporting to the range	6.17.1.3
Finals – Scoring	6.17.1.5
Finals – Shots fired before START or after STOP – 10m / 50m	6.11.1.1
Finals – Sighting Commands 10m / 50m Prone and 50m Pistol	6.17.2
Finals – Sighting Commands 50m Rifle 3 Positions	6.17.3

Finals – Sighting Commands 25m Rapid Fire Pistol Men	6.17.4
Finals – Sighting Commands 25m Pistol Women	6.17.5
Finals – Starting Positions 10m / 50m	6.17.1.2
Finals – Starting Positions 25m Pistol	6.17.1.2
Finals – Starting Positions 25m Rapid Fire Pistol	6.17.1.2
Finals – Starting time	6.17.1.3
Finals – Targets 10m / 50m	6.17.2
Finals – Target presentation EST 10m / 50m	6.17.2
Finals – Tied scores 10m / 50m Prone and 50m Pistol	6.17.2
Finals – Tied scores 50m 3 Positions	6.17.3
Finals – Tied scores 25m Pistol Women	6.17.5
Finals – Tied scores 25m Rapid Fire Pistol Men	6.17.4
Finals – Trigger weight tests before the Finals	6.17.1.3
Firing after the command UNLOAD / STOP	6.2.3.4
Firing before the command LOAD / START	6.2.3.4
Firing line	6.4.3.2
Firing line – marking and measurement	6.4.5.4
Firing point – substances	6.11.10
Firing points – equipment	6.4.11.10
Flash photography when forbidden	6.11.10
Forms	6.18
Formula for the qualification round	6.6.6.1
Function firing range	6.4.11.11
Gas / Co2 Cylinder – athletes responsibility	6.7.7.1
Gas or air cylinder – Changing or refilling	6.11.2.3
Gauge 4.5 mm INWARD	6.3.5.7
Gauge 4.5 mm OUTWARD – 10m Air Rifle / 10m Running Target	6.3.5.8
Gauge for 25m Center Fire Pistol	6.3.5.1
Gauge for 300m Rifle	6.3.5.2
Gauge for scoring inner tens Air Pistol	6.3.5.6
Gauge for scoring inner tens Air Rifle with an Air Pistol gauge	6.3.5.5
Gauge for Small Bore Rifle and Pistol – caliber 5.6 mm	6.3.5.3
Gauges – examination by the Technical Delegate	6.4.1.10
Gauges 4.5 mm OUTWARD – 10m Air Pistol	6.3.5.9
Gauges for paper targets	6.3.5.4
General firing point standards 300m, 50m, 10m	6.4.7
General Target Requirements	6.3.1
General Target Standards	6.3
Gun cases	6.11.10
Handling of guns – after STOP	6.2.3.5
Handling of guns – Removing of guns during the course	6.2.2.1
Handling of guns – Self discipline	6.2.2
Handling of Targets 10m Paper targets	6.11.3
Handling of Targets 50m Paper targets	6.11.4
Height of targets	6.4.6.1
Hearing Protection	6.2.5
Hits outside the scoring rings	6.14.11.1
Horizontal variations for Firing Points	6.4.6.2
Horizontal variations for Target Centers	6.4.6.2

Impeding an athlete	6.11.6.5
Independent determination of results	6.14.10.4
Individual Ties	6.15.1
Individual Tie – all ties broken	6.15.1
Indoor range – light measuring	6.4.14
Indoor range – light requirements (Lux)	6.4.14
Infringements and Disciplinary Rules	6.12.7
Infringements and Disciplinary Rules – Jury's action / examination	6.12.7
Inner Tens Marking – Air Rifle: inner ten outward scoring gauge	6.3.5.5
Inner Tens Marking – Air Pistol: inner ten outward scoring gauge	6.3.5.6
Insert a plug gauge	6.14.11.5
Inspection of Ranges by the Technical Delegate	6.4.1.10
Interruptions	6.11.5
Irregular Shots 10m, 50m and 300m	6.11.7
Juries – Advice and Supervision	6.8
Juries – Appointment of Juries	6.1.4.1
Juries – Competition Juries – General	6.8
Jury – Decisions	6.8.8
Jury – Decisions re inspection clothing	6.7.9.3
Jury – Examination and check before the competition	6.8.3
Jury – Knowledge and enforcement of the ISSF Rules	6.1.2
Jury – Majority	6.8.7
Jury – Responsibilities	6.8.13
Jury – supervising – examination of equipment, guns, positions	6.8
Jury – Time extension by the Jury	6.8.13
Jury Members – advice or assistance of athletes	6.8.4
Jury Members – athletes or team officials	6.8.12
Jury Members on the Target Line – 25m	6.8.15
Jury Members must wear the official ISSF jury red vest	6.8.2
Knowledge of the Rules	6.1.2
Late arrival	6.11.6.4
Left-handed	6.1.2
Light measuring on indoor ranges	6.4.14
Light requirements on indoor ranges	6.4.14
Line of targets	6.4.3.2
Line officer – Running Target	6.9.5
Load – more than one pellet loaded	6.11.2.4
Loading of guns	6.2.3.2
Loading of guns – using a magazine	6.2.3.3
Main scoreboard	6.4.2
Malfunction – Extra time if not fault of an athlete	6.13.4
Malfunctions	6.13
Malfunctions of guns / ammunition	6.13
Marker – paper targets – 25m	6.14.12.2
Media Relations	6.4.2
Media Relations: Facilities – assistance – cooperation	6.4.2
Men's events	6.1.2
Miss – Not fired shots	6.14.7
Mobile telephones	6.11.10

Mobile telephones – indication of forbiddance	6.11.10
Monitor – Visibility	6.10.9.3
Move to a reserve position	6.10.9.3
Moving to another firing point	6.10.9.3
Non Allowable Malfunctions	6.13.2
Not fired shots	6.11.1.2
Not sign the printer record – Electronic Scoring Targets	6.10.4
Note of failure to register or display a shot (EST)	6.10.9.3
Numbering of target frames and firing points	6.4.3.6
Numbering of Targets	6.4.3.6
Objective and Purpose of ISSF Rules – Ranges, Targets	6.1.1
Official Training	6.6.2.1
Officials area	6.4.1.5
Organization of ISSF Championships	6.1.4
Organizing Committee and appointments	6.1.4.2
Paper Targets	6.3.3
Paper Targets - Standards	6.3.4
Paper targets – 10m events	6.3.4
Paper targets – 10m events: changing of targets	6.11.3
Paper targets – 10m events: putting behind after 10 shots series	6.11.3
Paper targets – 50m Rifle and Pistol	6.11.4
Paper targets – 50m Rifle and Pistol: changing of targets	6.11.4
Paper targets – 50m Rifle and Pistol: too slow marking or changing	6.11.4
Paper targets – Handling of targets 10m Air Rifle and Air Pistol	6.11.3
Paper targets – Handling of targets 50m Rifle and 50m Pistol	6.11.4
Pellet – load only one (1)	6.11.2.4
Penalties for Rule Violations	6.12.6
Penalty Cards	6.12.6.1
Pit Officer – paper targets	6.9.5
Pit Officer – paper targets – Running Target	6.9.7
Pre-Event Training	6.6.2.2
Preliminary Scores	6.14.1
Preliminary scores	6.16.6.1
Preparation Time shoot off 25m Pistol	6.15.6.1
Preparation Time for Double Trap	6.4.20.2.3
Preparation Time – Handling guns, dry firing, aiming exercises	6.11.2.1
Preparation Time – Sighting targets, pre-competition checks	6.11.1.2
Presence of the Jury	6.8.7
Procedure for Examination of Electronic Scoring Targets	6.8.10
Propaganda	6.12.1
Protection against rain, sun, wind	6.4.1.5
Protest concerning the shot-value on Electronic Scoring Targets	6.10.7
Protest time	6.16.6.1
Protests – dealt by the jury	6.80.10
Protests – Scoring Protests – Classification Jury	6.16.6
Protests – Verbal	6.15.4
Protests – Written Protests	6.16.5
Protests and Appeals	6.16
Put down a gun	6.2.2.3

Questioned shot – Scoring	6.10.9.3
Questioned shot not located	6.10.9.3
Range and Target Standards	6.4
Range Officer(s) – duties and functions	6.9.2
Range Officers – Knowledge and enforcement of the ISSF Rules	6.9.2
Range Officers – Responsibilities	6.9.2
Range Standards	6.4.1
Range Scoreboards	6.4.2
Ready to shoot – Athlete	6.12.4
Records	6.14.3
Register Keeper – paper targets	6.9.3
Register Keeper – paper targets – Running Target	6.9.4
Register Keeper's equipment	6.9.3
Release of propellant charge after MATCH firing starts	6.11.2.2
Remaining time	6.11.1.2
Repair or replace a gun	6.13.3
Replace or repair a gun – no extra time, but additional sighting shots	6.13.4
Replacement of an athlete in a team event	6.6.5
Responsibility of range officials LOAD / START - UNLOAD / STOP	6.2.3.1
Responsibility of the athlete - equipment	6.7.1
Responsibility of Transportation of Targets	6.9.6
Result Booklet	6.14.3
Result list – containing	6.14.3.1
Result lists – Abbreviations	6.14.3.2
Result lists – report to the ISSF – Headquarter	6.14.4
Resume shooting after STOP	6.2.3.5
Re-test / re-inspection of a gun or equipment	6.7.9.2
Right-handed	6.1.2
Rule Violations – Penalties	6.12.6
Rules for all Rifle and 10m and 50m Pistol Events	6.11.1.1
Rules of conduct for Athletes and Officials	6.12
Running Target – allocation of firing points	6.6.6.4
Running Target – athlete visible to the spectators	6.4.15.5
Running Target – Dry Firing Position	6.4.15.6
Running Target – Line officer	6.4.15.8
Running Target – Run times	6.4.15.9
Running Target – wide of the firing station	6.4.15.6
Running Target Ranges	6.4.15
Running Target Ranges 10m	6.4.16.2
Running Target Ranges 50m	6.4.16.1
Safety	6.2
Safety flags	6.2.2.2
Safety of athletes, range officials, spectators	6.2.1.3
Safety of ranges	6.2.1.2
Treat to the safety of others on a shooting range	6.2.1.4
Safety requirements	6.2.1
Samples of Paper and Clay Targets by the ISSF Headquarters	6.3.3
Schedules – checked by the juries	6.8
Scope of Technical Rules	6.1.3

Scoring in the Classification Office	6.14.10.1
Scoring Procedures	6.14.10.3
Scoring Procedures (Paper Targets) 25m Events	6.14.12
Scoring Protests	6.10.7
Scoring Protests – Electronic Scoring Targets	6.10.7
Scoring Protests – Electronic Scoring Targets: 2 points DEDUCTION	6.16.6.2
Scoring Protests – Paper Targets	6.16.6.3
Scoring zones – scoring rings	6.14.11.1
Second Register Keeper – paper targets – 25m	6.8.15
Shadow on targets	6.4.3.1
Shooting Distances	6.4.5
Shooting Distances - measurement	6.4.5.1
Shooting mats	6.4.7.2
Shooting tables	6.4.7.1
Shoot-off for 25m Events	6.15.6
Shot(s) after the command STOP	6.11.1.4
Shot(s) before the command START	6.11.1.1
Shotgun – allocation of firing points (Rule 7.10.4)	6.6.6.3
Shotgun– selection of ranges and rounds	6.6.6.3
Shots in dispute	6.14.11.2
Shots out of the area of the Control Sheet	6.3.6.5
Side Blinders	6.7.8.4
Side Blinders for Shotgun (Rule 7.12.6)	6.7.8.4
Sighters – Match changing done by the Chief Range Officer	6.11.1.2
Sighting shots	6.11.1.2
Sighting shots after the first competition shot	6.11.1.2
Sighting shots before the first competition shot	6.11.1.1
Sighting Targets – Paper Targets	6.3.6.1
Sign the printer record – Electronic Scoring Targets	6.10.4
Signal systems on the range and to the pits	6.4.11.5
Skeet Ranges – Standards	6.4.21
Skeet Ranges – Standards Range View	6.4.21.4
Skid Gauge	6.14.12.1
Skid shots – 25m Events	6.14.12.2
Smoking	6.11.10
Sound producing equipment	6.7.5.4
Special devices – clothing	6.7.5.3
Spectators area	6.4.1.5
Spirit of the ISSF Rules	6.7.2
Standards for Running Target Ranges – General	6.4.15
Standards for Shotgun Ranges	6.4.17
Start of competition	6.11.1.2
Stop firing more than 3 minutes	6.11.5.1
Stop firing more than 5 minutes or moving to another firing point	6.11.5.2
Stop shooting by Jury Member / Range Officer in interest of safety	6.2.1.5
Substances – put on the firing point	6.11.10
Substitute gun – Malfunction	6.13.3
Sun – direction of Ranges	6.4.3.1
Systems of targets	6.4.1.9

Target line	6.4.5.4
Target Officer – Electronic Scoring Targets	6.10.2
Target Officer – paper targets	6.9.6
Target Officer – paper targets – 25m	6.9.8
Target paper	6.3.3.4
Targets – fixing	6.4.1.1
Targets – no movement	6.4.12.1
Team Leader	6.6.4
Team Leader – responsibilities	6.12.3
Team scores in 50m and 300m eliminations events	6.6.6.1
Team Ties	6.15.7
Technical Delegate: Check of Electronic Scoring Targets	6.3.2.8
Technical Delegate: examination of gauges	6.4.1.10
Technical Delegate: report of World / Olympic Records	6.14.9
Technical Delegate: Shotgun events – selection of ranges / rounds	6.8.3
Technical Delegate: Supervision – allocation of firing points	6.6.6
Technical Meeting	6.6.4
Technical Officers – Electronic Scoring Targets	6.10.1
Test of guns (function test)	6.4.11.11
Tie-Breaking – 25m Events without Finals	6.15.2
Tie-Breaking – Count backward	6.15.1
Tie-Breaking – General	6.15
Tie-Breaking – Individuals	6.15.1
Ties in Olympic Events with Finals	6.15.5
Time extension by the Jury – Marking on the incident report	6.11.5.2
Time extension by the Jury – Moving to another firing point	6.11.5.2
Time extension by the Jury – Stop firing more than 5 minutes	6.11.5.2
Time extension by the Jury –slow marking or changing of targets	6.11.4
Timing Running Target	6.4.15.9
Timing Running Target ISSF Championships	6.4.15.9
Too many shots in an event or position	6.11.7.1
Too many shots per paper target	6.11.7.2
Too many shots per target – 2 occurrences	6.11.7.2
Too many shots per target – More than 2 occurrences	6.11.7.2
Too many shots per target – 3 Positions events – consideration	6.11.7.2
Too many shots per target – Transfer the values of excessive shots	6.11.7.2
Touching a ring	6.3.5.8
Training – General	6.6.2
Transfer the values of excessive shots – Count back situation	6.11.7.1
Transfer the values of excessive shots – Too many shots per target	6.11.7.2
Transportation of Targets	6.14.10.1
Trap and Double Trap pit section	6.4.19
Trap Ranges – Standards	6.4.18
Trap Ranges – Target Throwing Machines	6.4.18.3
Trap Ranges	6.4.20.2.3
Unapproved gun or equipment	6.11.6.1
Unfair advantage over others	6.7.2
Unofficial Training	6.6.2.3
Use of transparent gauges	6.14.11.3

Value of shots	6.14.11
Verbal Protests	6.16.4
Verifying of Paper and Clay Targets by the ISSF Headquarter	6.3.3.1
Verifying of safety of guns	6.2.2.2
Violation of safety Rules	6.12.7
Violations – concealed	6.12.7
Violations – open	6.12.7
Warning	6.12.6.1
Wind flags 50m / 300m	6.4.4
Wind flags 50m / 300m check before the Preparation time	6.4.4.6
Women's events	6.1.2
World / Olympic Records – report by the Technical Delegate	6.14.9
World / Olympic Records – requirements in the General Regulations	6.1.2
World Records: Indoor Ranges 25m and 50m	6.14.9
World Records: Eliminations – Qualifications – Finals	6.14.9
World Records: verification	6.14.9
Written Protests	6.16.5
Written Protests – Decision forwarded to the ISSF HQ	6.16.2